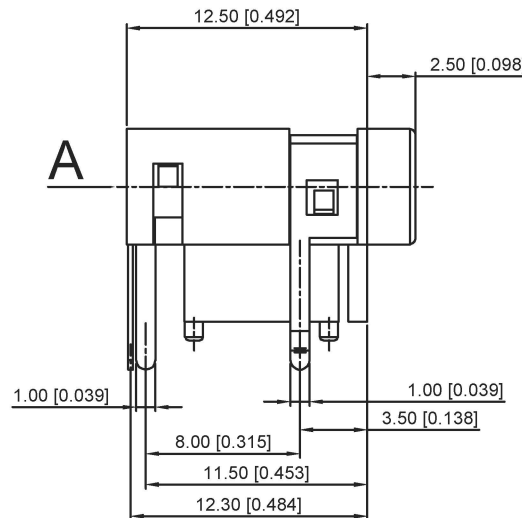
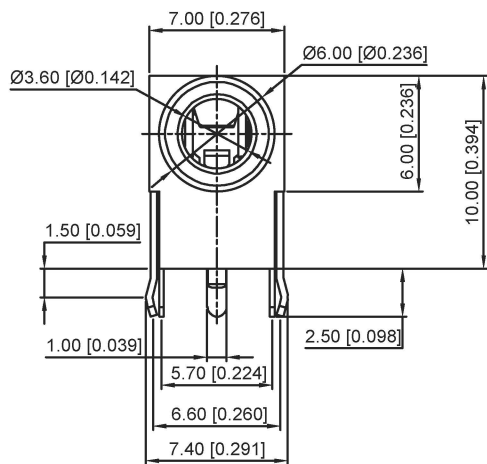
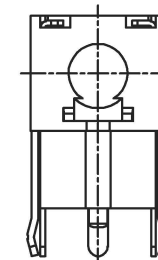


A向视图



color	B:Black R:Red G:Green Y:Yellow BL:Blue
-------	---

	MATERIAL	PLATING
terminal 1	Phosphor Bronze	tin
terminal 2	Phosphor Bronze	tin
terminal 3	Phosphor Bronze	tin
terminal 4	Phosphor Bronze	tin
plastic	Pbt	

广东星坤科技股份有限公司

生效日期

MARK DESCRIPTION

文件工程章

REVISIONS

www.helloxkb.com www.helloxkb.com www.helloxkb.com

ANGLAR	±5°
L ≤ 4	±0.2
4 < L ≤ 16	±0.3
16 < L ≤ 63	±0.4
L > 63	±0.5

UNSPECIFIED TOLERANCES

DSND		DATE		SCALE: N/A	MODEL TYPE: 3.5 PHONE JACK
DWN		DATE		VIEW:	PART NO.:
CHKD		DATE		UNIT: mm/in	DWG NO.: PJ-322A-X
APPD		DATE		SIZE: A4	
XKB INDUSTRIAL PRECISION CO., LIMITED					WEIGHT 1.0g
					SHEET 1/1
					REVISION A0