

Technolo Request:

1.Outlook:

NO burr,no hurt.

2.Electronic performance:

a:Insulation resistance:

Above DC500V/100MΩ;

b:Endure voltage:

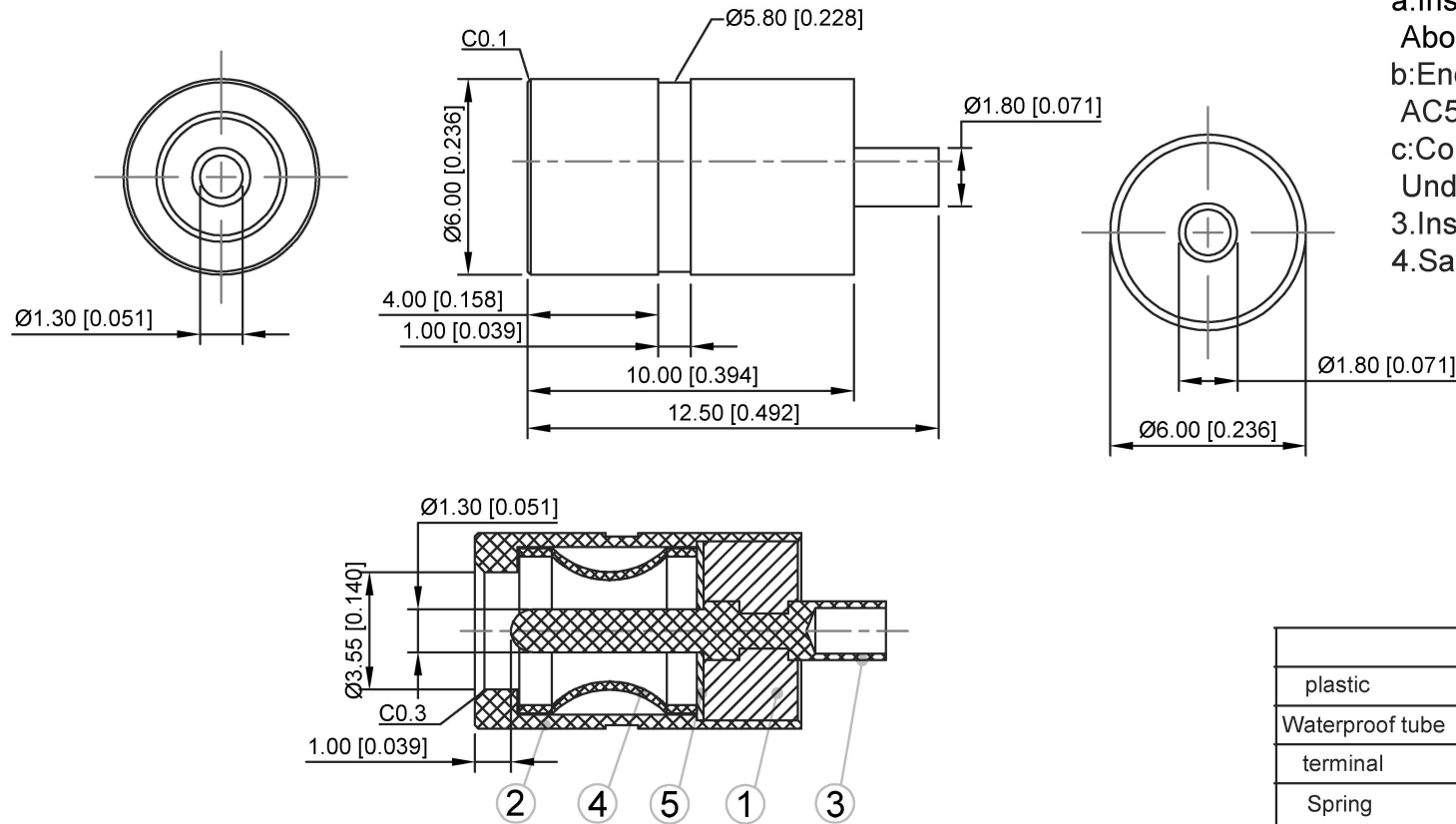
AC500V at 1 minute;

c>Contact resistance:

Under 30MΩ;

3.Insertion fore & withdrawal force;0.3-3kgf.

4.Salt spray test :24H.



	MATERIAL	PLATING
plastic	Pbt	Black
Waterproof tube	C3604	NI
terminal	Brass	NI
Spring	phosphor bronze	NI
silicone pad		

广东星坤科技股份有限公司

生 日期  
 日期

文件工程章

REVISIONS

www.xk-ig.cn www.helloxkb.com www.helloxkb.cn

ANGULAR	±5°
L ≤ 4	±0.2
4 < L ≤ 16	±0.3
16 < L ≤ 63	±0.4
L > 63	±0.5

UNSPECIFIED TOLERANCES

DSND	DATE	SCALE: N/A	MODEL TYPE: DC-F1360
DWN	DATE	VIEW:	PART NO.:
CHKD	DATE	UNIT: mm/in	DWG NO.:
APPD	DATE	SIZE: A4	
KKB INDUSTRIAL PRECISION CO., LIMITED			WEIGHT 1.0g
			SHEET 1/1
			REVISION A0