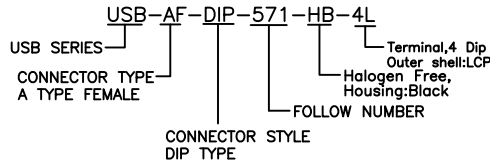


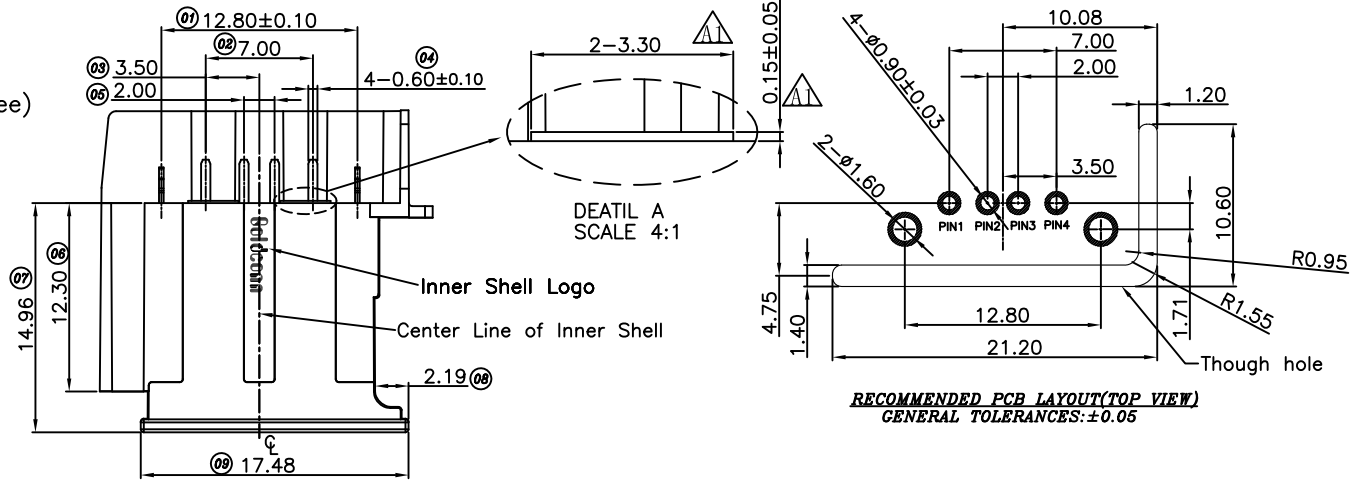
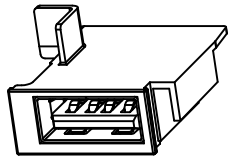
RoHS & HF Compliant

NOTE:

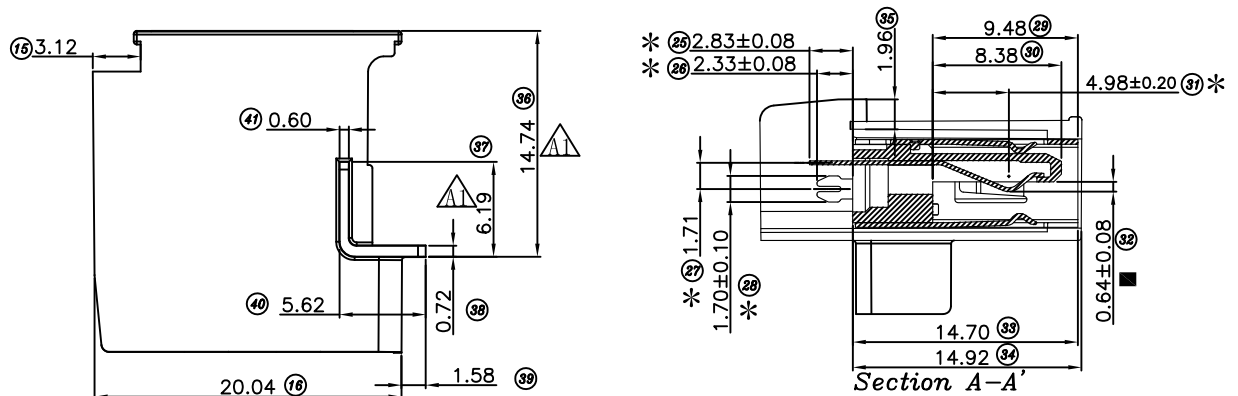
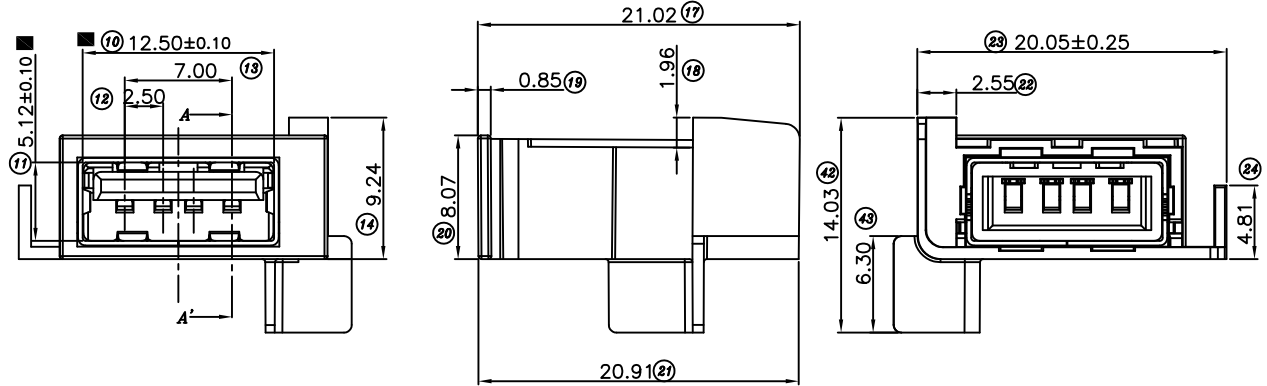
- Material:
 - Housing: Thermoplastics,UL94V-0;PBT,Black(Halogen Free)
 - Contact: Copper Alloy
 - Inner Shell: Copper Alloy
 - Outer Shell: LCP,BlackThermoplastics,UL94V-0;(Halogen free)
- Finish:
 - Contact: Glod Flash Plated on Contact Area, 80u" Min.Tin Plated on Solder Tails Area, 30u" Min.Nickel Underplating Over All.
 - Shell: 50u" Min.Nickel Underplating Over All.
- Specification:
 - Rated current: 1.5 A
Insulation Resistance: 1000MΩ Min. at 500V/DC for 1Minute.
Withstanding voltage: 500 VAC/minute
Contact Resistance: 30mΩ Max.
 - MECHANICAL
Mating force: 20N Max.
Unmating force:10~20N.
Durability: 3000 cycles Min.
- USER CODE:ML84A010590F
OUTER SHELL MINIMUM THICKNESS:0.5mm
OUTER MATERIAL:POLYPLASTIC E130i
- Ordering information



- 标注带 "*" 号尺寸，制程中品保需重点管控
- 标注带 "■" 号尺寸，制程中品保需做CPK管控
- 盐雾要求：24小时 MIN.



RECOMMENDED PCB LAYOUT(TOP VIEW)
GENERAL TOLERANCES:±0.05



4	Outer Shell	HUB129L-1A1-BX00-H	LCP,Black,无卤	1PCS
3	Inner Shell	GUB25B-1F2-SN12	铜壳镀可焊镍50u Min.	1PCS
2	Terminal	GUB26P-1A4-NP01	接触区镀金1u" 焊接区镀亮锡80u"Min.	4PCS
1	Housing	HUB05T-1A3-BX00-H	PBT,Black,无卤	1PCS

单位 UNIT						MM	⊗ Inspection Item	HJ-Tech 东莞市皇捷通讯科技有限公司 DONGGUAN HUANGJIE COMMUNICATION TECHNOLOGY CO., LTD.	
比例 SCALE						1:1	■ Cp/Cpk and SPC Control Item	图号 DWG NO.	
张数 SHEET						1/1	TOLERANCE UNLESS OTHERWISE SPECIFIED	USB-AF-DIP-571-HB-4L	
版本 REV.						A1	.XX±0.30	名称 TITLE	
护套"7"字型胶位设变						20.03.12	.XX±0.25	USB AF 180° FEMALE (黑色)	
新产品初版发行						20.02.10	.XX±0.10	角法 PROJ.	
设变内容 MODIFICATION						日期 DATE	.XX±	客户图	
修改 DRAW						修改 DATE			
审核 CHECKED						核准 APPROVE			