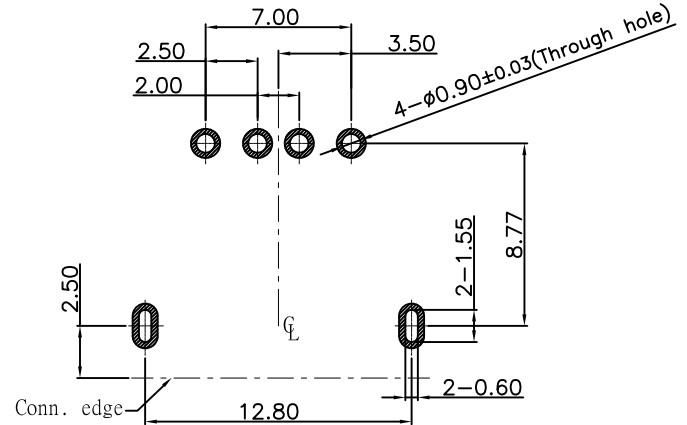
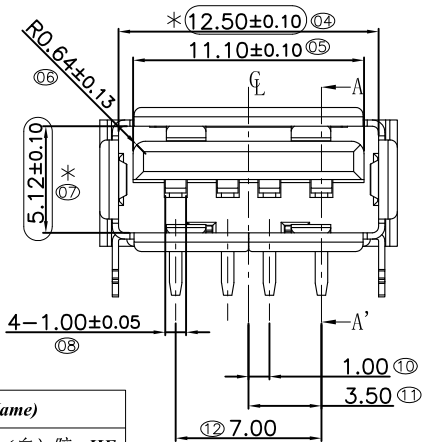
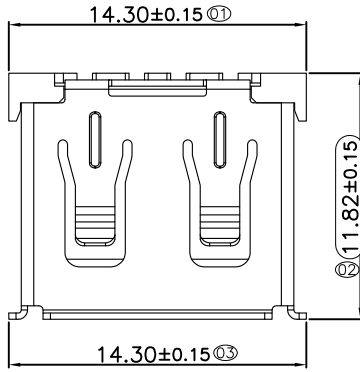


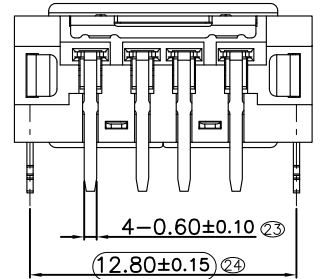
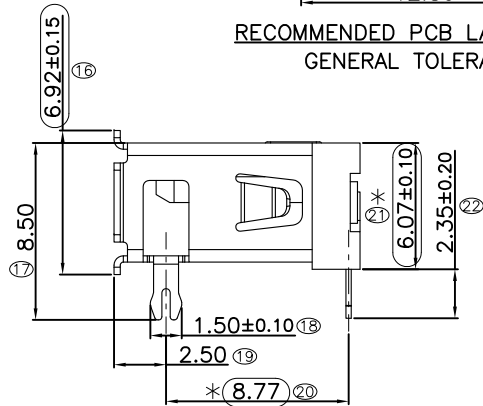
**RoHS & HF Compliant**

**NOTE:**

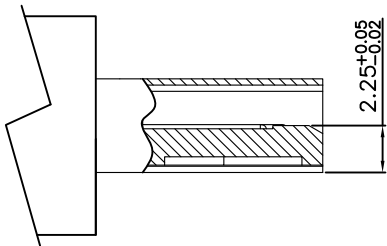
- Material:  
Housing: Thermoplastics, UL94V-0; PBT+30% GF., Color: White, HF.  
Contact: Phosphor bronze, C5191R-EH, T=0.25mm  
Shell: C2680R-H, T=0.3mm
- FINISH:  
Contact: Au 2u" Plated on Contact Area,  
150u" Matte Tin Plated on Solder Tails Area,  
50u" Min. Nickel Underplating Over All.  
Shell: 50u" Min. Nickel Underplating Over All.
- Specification:  
3.1: Rated current: 1.5 A  
Insulation Resistance:  
1000MΩ Min. at 500V/DC for 1Minute.  
Withstanding voltage: 500 VAC/minute  
Contact Resistance: 30mΩ Max.  
3.2: MECHANICAL  
Mating force: 20NMax.(Initial test)  
Unmating force: 10~20N(Initial test)  
After 1500 Cycles: 10~30N  
After 3000 Cycles: 8~30N  
Durability: 3000 cycles Min.  
Contact retention force: 4.2N(0.43kgf) Min.
- Dimensions with "☐" are IA dimensions,  
Needs follow the existing IA dimensions control rules.  
Dimension with "☐&\*" means MA dimensions  
Needs follow the existing MA dimensions control rules.
- Customer Part No.: UG0147LG
- Ordering information



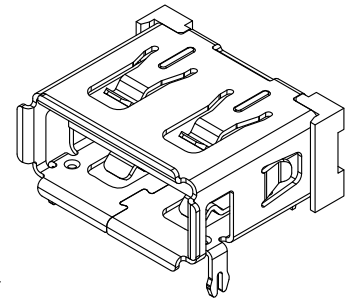
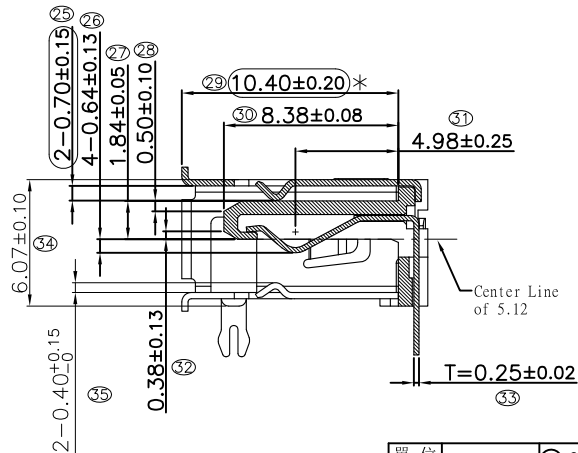
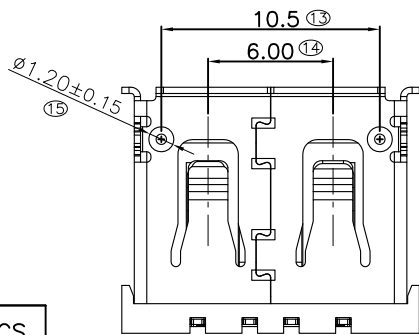
**RECOMMENDED PCB LAYOUT(TOP VIEW)**  
GENERAL TOLERANCES: ±0.05



料号 (Part No.)	(客)料号 (Customer P/N)	品名规格 (Part Name)
USB-AF-DIP-546-HW-B	UG0147LG	USB AF 90° DIP Au 3u" White(白) 胶, HF



REFERENCE USB2.0 AM PLUG STANDARD



3	外壳	GUB109B-1A2-VN12	铜壳, 镀可焊镍50u Min.	1PCS
2	端子	GUB43P-1K1-NW03	接触区镀金3u" 焊接区镀雾锡150u"Min.	4PCS
1	胶芯	HUB36T-1E1-WX00-H	PBT+30%GF., 白色无卤	1PCS
项次 NO.	品名 NAME	料号 P/N	表面处理 PLATING	备注 MARK

A2	Modify Shell Spring, Add Customer P/N.	19.03.28	Lua	Ysh
A1	The product height is modified to H6.07	18.08.08	Lua	Ysh
AO	<b>NEW ISSUE</b>	18.08.08		
版本 REV.	設變內容 MODIFICATION	日期 DATE	修改 DRAW	核准 APPROVE

單位 UNIT	mm	☐ Inspection Item	HJ-Tech 东莞市皇捷通讯科技有限公司
比例 SCALE	1:1	☐ Cp/Cpk and SPC Control Item	DONGGUEN HUANGJIE COMMUNICATION TECHNOLOGY CO., LTD.
張數 SHEET	1/1	TOLERANCE UNLESS OTHERWISE SPECIFIED	圖號 Dwg No. USB AF DIP-546-HW-B
製圖 DRAWING	Lua	.X±0.30 X'±3'	名稱 TITLE USB 4P 90° FEMALE
版本 REV.		.XX±0.20 X'±1'	(PBT, WT, 半金雾锡2u", 无LOGO)
		.XXX±0.10 XX±	角法 PROJ.

客户图