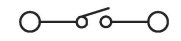
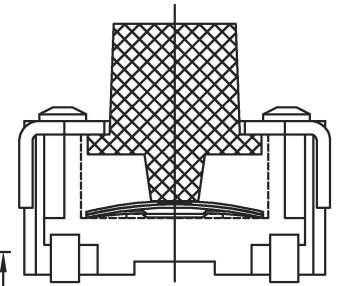
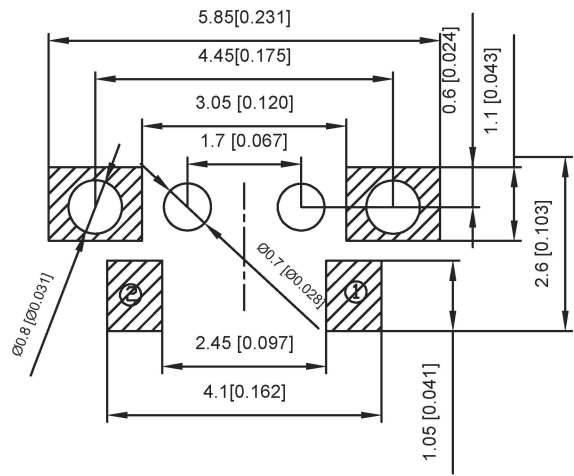
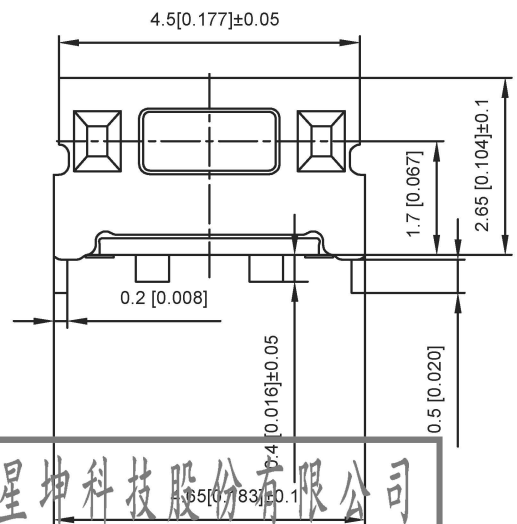


SPECIFICATION

Contact Rating: 50mA, 12V DC
 Contact Resistance: 100mΩ max
 Insulation Resistance: 100mΩ min. 500V DC
 Dielectric Strength: 250V AC/1minute
 Travel: 0.15mm
 Operating Temp: -30□ ~+85□
 Storage Temp: -30□ ~+80□



Circuit Diagram



PAPT NO	TS-1010B-X-X
Operating Force	A:100gf B:160gf C:260gf
Height	H:3.5
Position Foot	A:With B:without

ITEM	PAPT NAME	TER.NO	QTY	MATERIAL	FINISHING	REMARK
⑤	Terminal	—	2	Brass (0.30t)	Plating silvering	—
④	Contact	—	1	F.ag/Sus	Natural	—
③	Base	—	1	Lcp	—	—
②	Cover	—	1	Brass	Plating Nickel	—
①	Keystake	—	1	Pa46	—	—

广东星坤科技股份有限公司

生	ΔX	日期
效	ΔX	日期
ΔX	ΔX	日期
MARK	MARK	日期

文件工程章

DESCRIPTION	DATE	REVISED	APPROVED	units: mm
				tolerance: X.X ±0.2mm
				X.XX ±0.1mm
				X.XXX ±0.05mm

REVISIONS	UNSPECIFIED TOLERANCES

DSND	DATE	SCALE: N/A	MODEL TYPE: TACT SWITCH
DWN	DATE	VIEW:	PART NO.:
CHKD	DATE	UNIT: mm/in	DWG NO.: TS-1010B-X-X
APPD	DATE	SIZE: A4	WEIGHT 1.0g SHEET 1/1 REVISION A0
XKB INDUSTRIAL PRECISION CO., LIMITED			