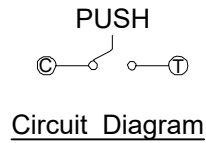


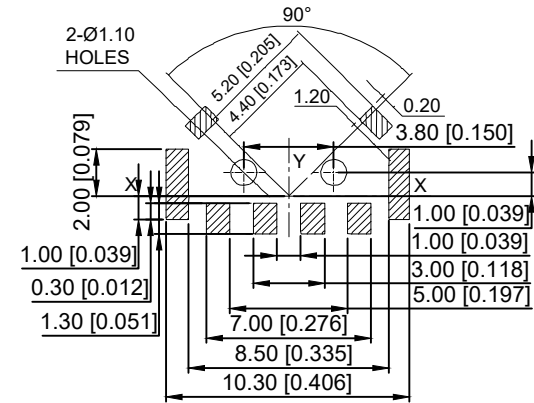
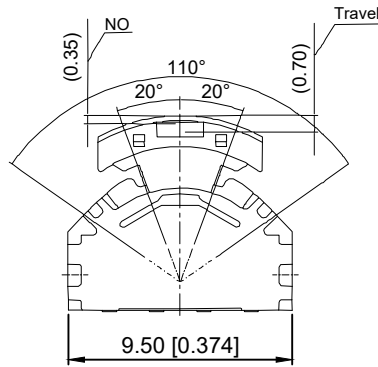
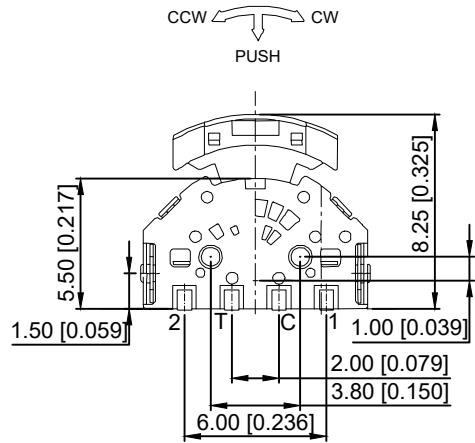
TER	0° (▨=NO)			
	ANG (20°)	(15°)	(15°)	(20°)
①	▨			
②				▨
③	▨	▨	▨	▨

CCW ————— CW

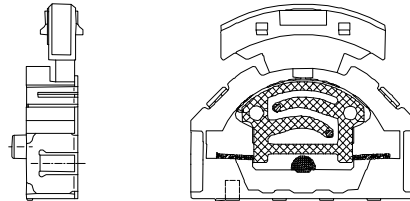
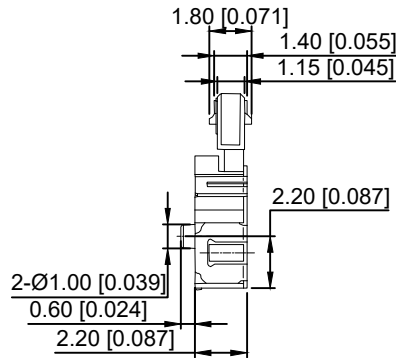
CODE TABLE



NOTE:
 Operating Force.
 lever portion 100 ± 30 gf
 Push portion 205 ± 50 gf



**P.C.B Mounting
 Pattern Dimension**



ITEM	PAPT NAMF	TER,NO	QTY	MATERIAL	FINISHING	REMARK
⑥	Terminal	---	4	Brass(0.15t)	Plating silver	---
⑤	Contact	---	1	F.ag/Brass	Plating silver	---
④	Base	---	1	Nylon	---	---
③	Spring	---	1	Sus	Natural	---
②	Cover	---	1	Sus	Natural	---
①	Keystake	---	1	Nylon	---	---

					ANGLAR	±5°	DSND		DATE	SCALE: N/A	MODEL TYPE: MULTI-FUNCTIONAL SWITCH		
Δx					L ≤ 4	±0.2	DWN		DATE	VIEW:	PART NO.:		
Δx					4 < L ≤ 16	±0.3	CHKD		DATE	UNIT: mm/in	DWG NO.:		
Δx					16 < L ≤ 63	±0.4	APPD		DATE	SIZE: A4	TM-2025A		
MARK	DESCRIPTION	DATE	REVISED	APPROVED	L > 63	±0.5							
					UNSPECIFIED TOLERANCES		XKB INDUSTRIAL PRECISION CO., LIMITED				WEIGHT	SHEET	REVISION
											1.0g	1/1	A0