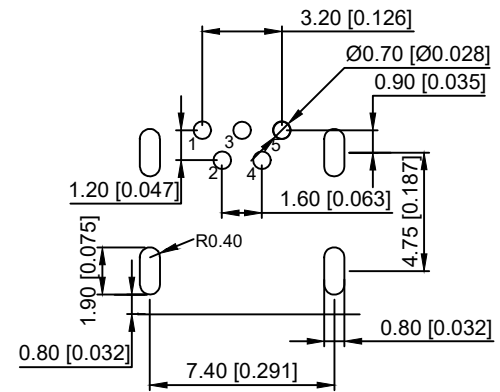


U214-05XN-4BR84

1:Au 1U"
6:Au 30U"



RECOMMENDED PCB LAYOUT

Material
Housing Material: LCP, UL94V-0, black
Contact Terminal: Phosphor bronze, T=0.25mm
Metallic Shell: Brass, T=0.4mm
Plating
Contact Terminal
Underplating: Nickel all over
Contact Plating: 1μ" gold
Solder Tail: Bright Tin
Metallic Shell
Underplating: Nickel 50μ" all over
Metallic Shell: Matte Tin 50μ" all over
Electrical
Voltage Rating: 30VDC
Current Rating: 1A
Contact Resistance: 50mΩ Max
Insulation resistance: 100MΩ Min (Apply 100 VDC)
Dielectric withstanding voltage: No discharge or flash (100V AC is applied for 1 minute)
Mechanical
Durability: 5,000 cycles
Mating Force: 35N (3.57Kgf) Max
Unmating Force: Initial - 7N (0.71Kgf) Min., 5001st cycle - 3N (0.31Kgf) Min.
Environmental and Processing
Operating Temperature: -50°C to +85°C

						DSND		DATE		SCALE: N/A	MODEL TYPE: MINI USB		
ΔX						DWN		DATE		VIEW:	PART NO.:		
Δx						CHKD		DATE		UNIT: mm/in	DWG NO.:		
Δx						APPD		DATE		SIZE: A4	U214-05XN-4BR84		
MARK	DESCRIPTION	DATE	REVISED	APPROVED	UNSPECIFIED TOLERANCES						WEIGHT 1.0g	SHEET 1/1	REVISION A0
www.xk-dg.cn www.helloxkb.com www.helloxkb.cn											XKB INDUSTRIAL PRECISION CO., LIMITED		