

NO.1	
PART NO	H
A	2.0
B	2.5

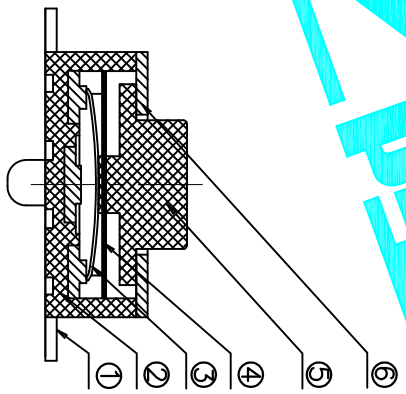
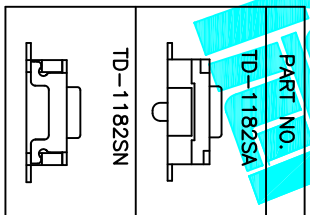
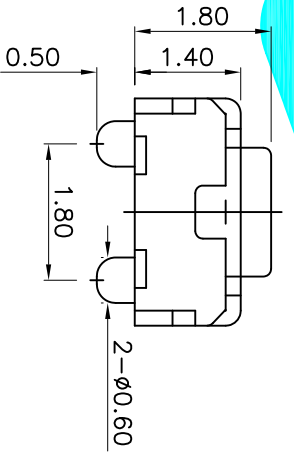
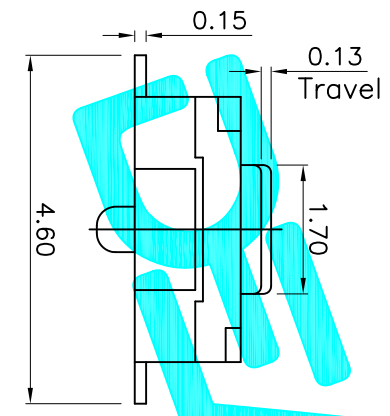
NO.2	
PART NO	vigor
1	70±30
2	100±50
3	160±50
4	260±50
5	320±80
6	350±80
7	520±130

NO.3	
PART NO	MATERIAL/QTY
S	SUS/1PC
D	SUS/2PCS

NO.4	
PART NO	NOTE
B	Bulk
R	Tape&Reel

NO.5	
PART NO	NOTE
B	Bulk
R	Tape&Reel

PCB Layout(Pattern Side)



ITEM	PART NAME	QTY.	MATERIAL	FINISHING
⑥	Cover	1	SUS	Natural
⑤	Knob	1	LCP	Black
④	Dust Cover	1	Kapton Film	Yellow
③	Contact	2	SUS	Plating silver
②	Base	1	LCP	Black
①	Terminal	4	Phosphor Bronze	Plating silver

APPROVALS	
DRAWN	G.M.Chen
CHECKED	
APPROVALS	
DATE	2015/5/19
ELECTRONICS CO.,LTD	
TACT SWITCHES	

ECN NO.	REV.	DATE.	DESCRIPTION.	CHANGE.	CHECK.	APPRO.	TOLEFRANCES ARE	30 <sup>±0.15</sup>	±0.30	ANGLE	PART NO.	SCALE:	SHEET
	A		NEW				10 <sup>±0.30</sup>	5 <sup>±0.10</sup>	±0.20	±2°	TD-1182SA-XXN-XXX	1:1	1 OF 1
							5 <sup>±0.10</sup>						PROJ.