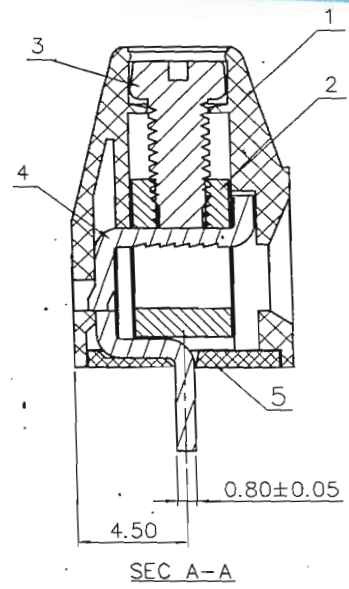
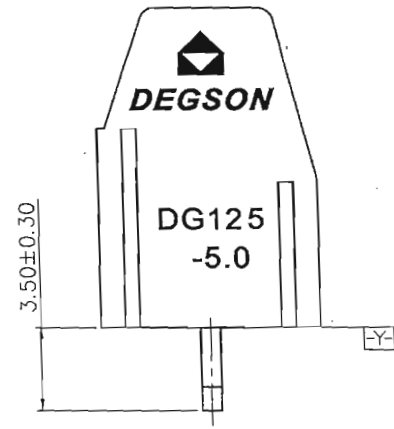
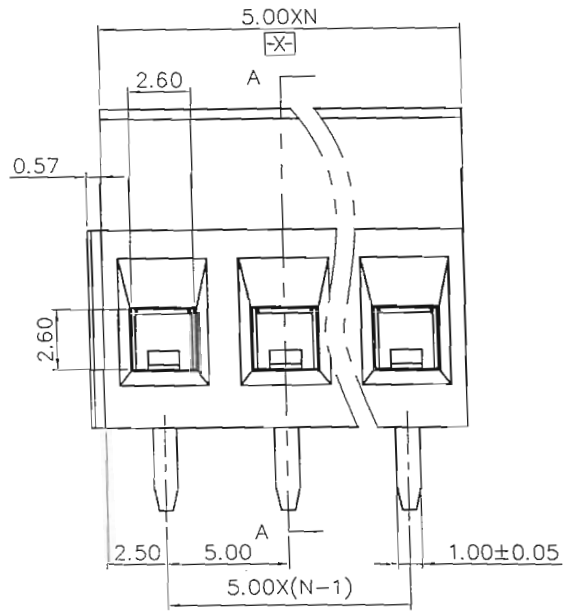
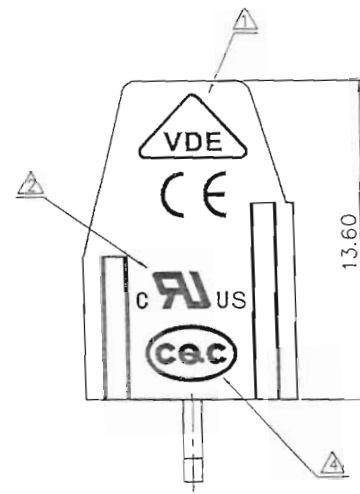
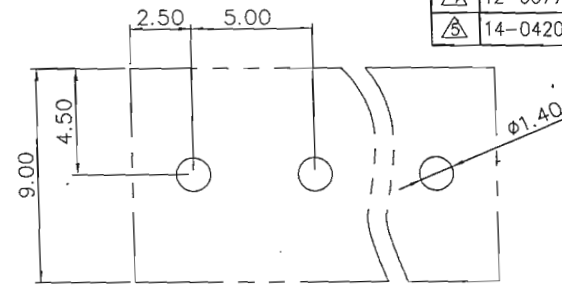
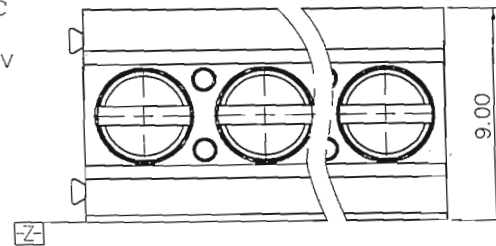


D1RFRD006

- NOTES:  
 1. DIMENSION SHALL BE INTERPRETED PER ASME Y14.5-2009.  
 2. PITCH: 5.0MM ,POLES: 2-XXP  
 3. RATED VOLTAGE/CURRENT: UL 300V/16A  
     VDE 250V/18A  
 4. OPERATION TEMPERATURES: -40°C~+105°C  
 5. WITHSTANDING VOLTAGE: AC2000V/1MIN.  
 6. INSULATION RESISTANCE: 5000MΩ/DC1000V  
 7. WIRE RANGE: 26~12AWG, 0.5~2.5MM<sup>2</sup>  
 8. TORQUE VALUE: M2.5, 4.08kgf.cm  
 9. UNDIMENSIONED TOLERANCES:

REVISION RECORD				
REV	ECN	DESCRIPTION	DRFT	DATE
△		增加VDE、CE刻字	Zengy	06/10/09"
△	09-0136	增加UL刻字及参数	GHY	12/05/09"
△		图面整理	HYQ	01/21/10"
△	12-0077	增加CQC刻字	YHG	04/21/12"
△	14-0420	UL电流由12A变更为16A	WYJ	11/05/14"

文管中心  
 研发专用  
 2014. 11. 27  
 (仅限内部使用, 对外无效)



TO	PITCH RANGE IN MM		NOMINAL DIMENSION RANGE IN MM					-	
	OVER 6 TO 10	OVER 10 TO 24	OVER 30 TO 60	OVER 60 TO 100	OVER 100 TO 150	OVER 150			
6	±0.10	±0.15	±0.25	±0.20	±0.30	±0.50	±0.70	±1.00	0.05/10

REV	DESCRIPTION	QTY	MATERIAL	FINISH
5	E1100 2.5-5.0-COVER	1	PA66	UL94V-0
4	E1100 2.5-PIN HEADER	XX	BRASS	Sn PLATED
3	E1100 2.5"-SCREWS	XX	STEEL	Cr <sup>3+</sup> Zn
2	E1100 2.5-CAGE	XX	BRASS	NI PLATED

ITEM	NAME OF PART	NO. OF PART	Q'TY	MATERIAL	NOTES
1	DG125-5.0-HOUSING	4145A0YXXA(H)	1	PA66	UL94V-0

TOLERANCES EXCEPT AS NOTED		MATERIAL:		FINISH:	
.X ±	.X" ±	DEGSON® 宁波高正电子有限公司		DEGSON® DEGSON ELECTRONICS CO., LTD	
.XX ±	.XX" ±	PART NO.:		NAME: DG125-5.0-XXP-1Y-00A(H)	
.XXX ±	.XXX" ±	ANGLES ± 1°		APPD: <i>Axon 11/8/14</i>	
THIRD ANGLE PROJECTION		CHKD: <i>Lex 11/8/14</i>		TITLE: ASSEMBLY DRAWING	
		DRFT: Linda 10/15/08"		DRAWING NO.: DG125-5.0-E01	
		DO NOT SCALE DRAWING		SCALE	N/A
		SHEET		1/1	