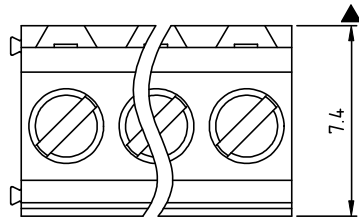
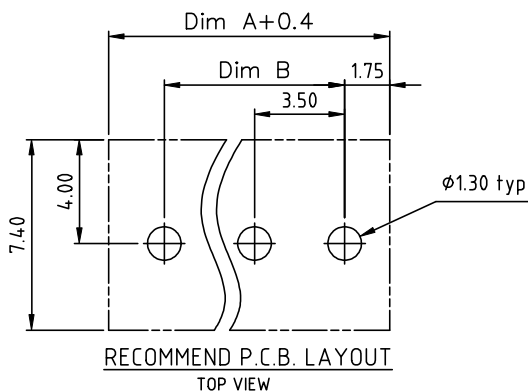
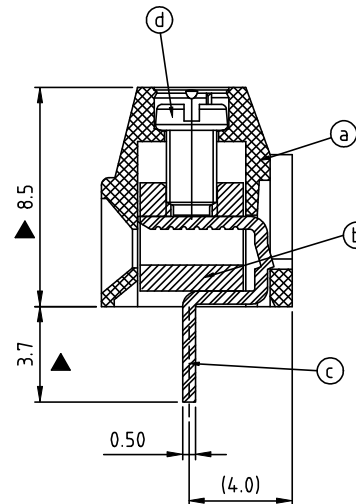
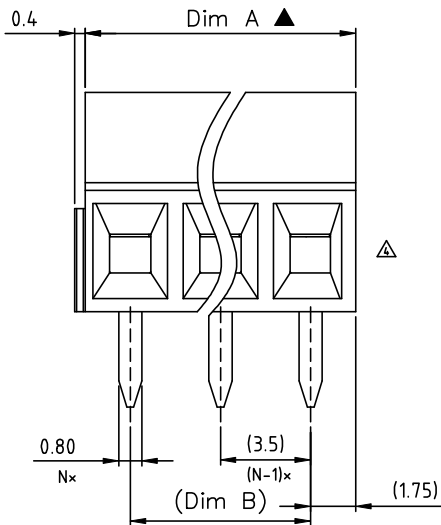


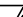

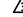
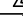
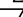



RoHS Compliant 



N = Number of poles
 Dim A = N x 3.5
 Dim B = (N - 1) x 3.5

| Poles | Dim A |
|--------|-------|
| 2-6p | ±0.15 |
| 7-12p | ±0.25 |
| 13-18p | ±0.35 |
| 19-24p | ±0.40 |






| Rev | SIGN | DATE | DESCRIPTION | APPROVER |
|-----|---|----------|--|----------|
| E |  | 01/26'10 | Soldering temperature changed from 245°C to 250°C | Tason |
| |  | 01/26'10 | Part No. is changed | Tason |
| F |  | 03/18'11 | Add is " TUV " and Torque is changed | Juany |
| G |  | 01/08'14 | change the structure | Guoxue |
| H |  | 10/11'18 | Change the withstanding voltage from 1.25KV to 1.5KV | PansLee |
| |  | 10/11'18 | Add the operating temperature "-40°C to +105°C" | PansLee |
| |  | 10/11'18 | Modify the drawing frame and update critical dimension | PansLee |
| |  | 10/11'18 | Add the reference dimension and note description | PansLee |

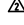
THIS IS CAD DRAWING, DO NOT REVISE MANUALLY!!!

Material:

- Item ① Terminal housing :Thermoplastic (UL 94 V-0)
- Item ② Clamp : Brass,Ni plated
- Item ③ Wire guard solder pin : Brass,Tin plated
- Item ④ Terminal screw: Steel Zinc plating"-slot type

Electrical cULus / TUV

- Voltage rating: 300V / 300V
- Current rating: 10A / 12A
- Wire range: 0.2~1.5mm²
- Solid wire(AWG): 16-24
- Stranded wire(AWG): 16-24
- Torque: 1.7 Lb-In / 0.2N.m (stackable type: 1.5Kgf cm)
- Screw: M2
- Wire strip length: 5-6mm
- Withstanding Voltage: 1.6KV / 1.5KV
- Operating temperature: -40°C to +115°C / -40°C to +105°C
- Wave soldering temperature: 260°C±5°C/5 Sec
- Safety Approval:  
- Critical dimension: 
- Reference dimension: (x) The dimensions of pitch are just for reference, take the actual assembly result as a judgment when inserting the terminal block into the PCB hole.

 YO xx 01 x 0 xxxx G

| No. of poles | Color | RoHS compliant (lead<4%) In copper Alloy |
|--------------|---------------------------|--|
| 0 | Black (RAL9005) | 0000 Standard @ Logo |
| 02 | 2 POLES Red (RAL3001/D) | 000A Standard ANY Logo |
| 03 | 3 POLES Orange(RAL2011/P) | Any special item by customer request, please contact sales department. |
| ... | ... | ... |
| 24 | 24 POLES Green(RAL6018/T) | |
| | Blue (RAL5015/A) | |
| | Grey(RAL7035/D) | |
| | White(RAL1102) | |
| | C Green(RAL6018/U) | |

Amphenol ANYTEK

CUSTOMER COPY

ALL RIGHTS RESERVED. REPRODUCTION OR ISSUE TO THIRD PARTIES IN ANY FORM WHATSOEVER IS NOT PERMITTED WITHOUT WRITTEN AUTHORITY FROM THE PROPRIETOR. PROPERTY OF ANYTEK TECHNOLOGY CO., LTD

| TITLE | | YO 3.5 Series 2P-24P | | DWG NO. | | 8Y00001 | |
|--------------------|--|----------------------|--|-------------|--|------------|--|
| PART NO. | | YOxx01x0xxxxG | | APPROVED | | CHECKED | |
| DESIGNED | | DRAWN | | CUST NO. | | Tolerance | |
| PansLee 2018.10.25 | | PansLee 2018.10.25 | | UNIT: mm | | X. ±0.50 | |
| SHEET: 01/01 | | REV.: H | | SCALE: NONE | | X.X ±0.30 | |
| | | | | | | X.XX ±0.10 | |
| | | | | | | X° ±1° | |