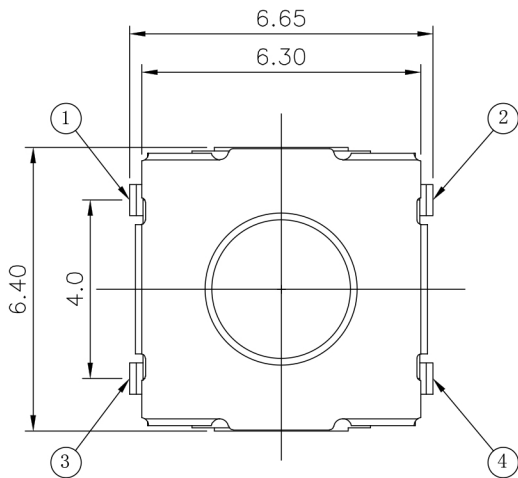
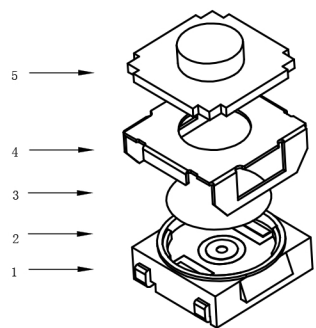


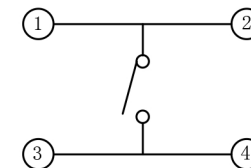
RoHS

CAD GENERATED DRAWING. DON'T CHANGE BY HAND.

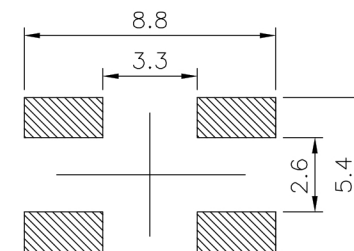
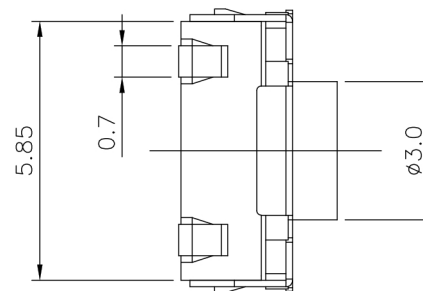
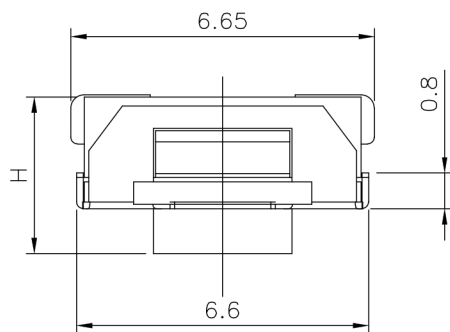
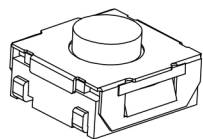
REV.	ECN. NO.	APPD.



H			
A	2.5	B	3.1
C	3.5	D	4.3
E	4.5	F	5.0



CIRCUIT DIAGRAM



PCB WELDING DRAWING

Specification

Rate voltage, current	50mA DC12V
Contact resistance	$\leq 100m\Omega$
Operating force	400 $\pm$ 50gf
Travel	0.20 $\pm$ 0.10mm
Insulated resistance	$\geq 100M\Omega$
Dielectric strength	$\geq 250VAC/1min$
Life cycle	$\geq 100000$ 次

ITEM	PART NAME	Q' TY	MATERIAL	FINSH/COLOR
5	Button	1	Silica gel	Blue
4	Cover	1	Stainless steel	Cleaning
3	Shrapnel	1	Stainless steel	Silver
2	Housing	1	PPA	Black
1	Cards	1	Brass	Silver

X. $\pm 0.50$	X.° $\pm 2^\circ$	UNITS
.X $\pm 0.30$	.X° $\pm 1^\circ$	mm
.XX $\pm 0.10$	.XX° $\pm 0.5^\circ$	MAT'L
.XXX $\pm 0.05$		FINISH
THESE DRAWINGS AND SPECIFICATIONS ARE THE PROPERTY OF YIYUAN TECHNOLOGY CO.,LTD AND SHALL NOT BE REPRODUCED, COPIED OR USED IN ANY MANNER WITHOUT THE PRIOR WRITTEN CONSENT OF YIYUAN TECHNOLOGY CO.,LTD		Q'TY

	深圳市怡远科技有限公司 SHENZHEN YIYUAN TECHNOLOGY CO., LTD							
	PART NO. <b>YTS-E005-4H</b>	TITLE: <b>TACTILE SWITCH</b>						
APPD: ROGER	DWG NO. : <b>YTS-E005-4H</b>							
CHKD: ROC	<table border="1"> <tr> <th>SCALE</th> <th>SHEET</th> <th>REV.</th> </tr> <tr> <td>1/1</td> <td>1/1</td> <td>A1</td> </tr> </table>		SCALE	SHEET	REV.	1/1	1/1	A1
SCALE	SHEET	REV.						
1/1	1/1	A1						
DR: BILLY WANG 2020/08/21								