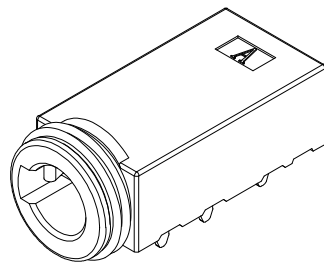
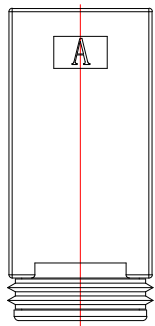
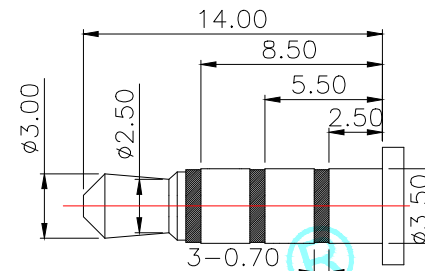


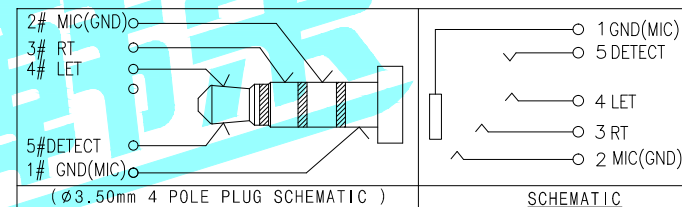
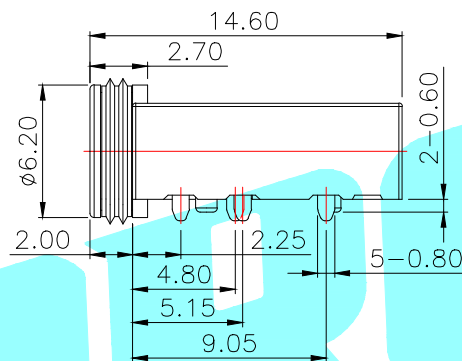
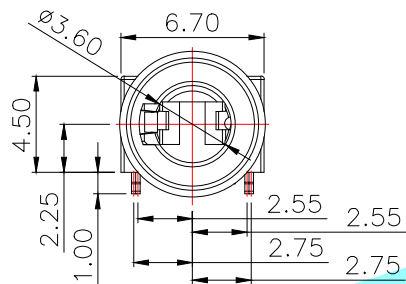
ROHS



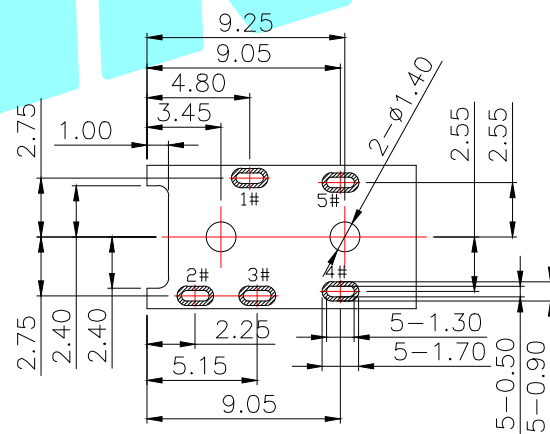
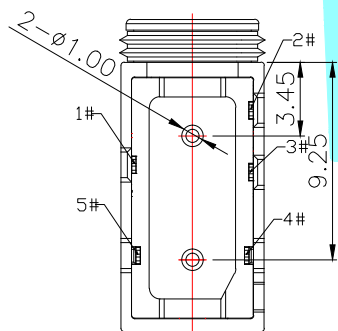
3D VIEW



( $\phi 3.50\text{mm}$  4 POLE PLUG )



1. CONTACT CURRENT RATING: 1A.
2. CONTACT RESISTANCE: 100 m $\Omega$  MAX.;
3. INSULATION RESISTANCE: 100M $\Omega$  MIN.;
4. DIELECTRIC WITHSTANDING: 500V AC MIN.;
5. DURABILITY: 5,000 CYCLES MIN.;
6. CONNECTOR MATING FORCES: 30N MAX.;
7. CONNECTOR UNMATING FORCES: 3N MIN.;
8. TERPROOF LEVEL: IPX7;



P.C.B LAYOUT(TOP view)

ITEM	PART NAME	TER'NO.	QTY.	MATERIAL	FINISHING	REMARK
③	Waterproof ring	—	1	Silica gel	—	—
②	Terminal	—	5	Phosphor bronze/SUS	Ni Plating	—
①	Housing	—	1	HTP	Black	—

APPROVALS		DATE		HRO 睿 ELECTRONICS CO.,LTD		
DRAWN	LIUCAN	2021.09.13		TITLE:	PHONE JACKS	
CHECKED				PART NO.	PJ-621C	
APPROVALS				TOLERANCES ARE	ANGLE	UNIT: mm SCALE: 1:1 PROJ:
		30~以上	$\pm 0.30$			
		10~30	$\pm 0.20$			
		5~10	$\pm 0.15$			
		~ 5	$\pm 0.10$			
					$\pm 2'$	
ECN NO.	REV.	DATE.	NEW DESCRIPTION.	CHANGE.	CHECK.	APPRO.

ECN NO.	REV.	DATE.	NEW DESCRIPTION.	CHANGE.	CHECK.	APPRO.
---------	------	-------	------------------	---------	--------	--------

HRO 睿

ELECTRONICS CO.,LTD

PHONE JACKS

PJ-621C

UNIT: mm SCALE: 1:1 PROJ:

DRAWING NO. SHEET 1 OF 1