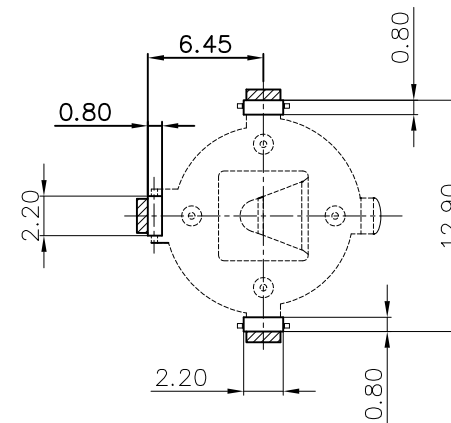
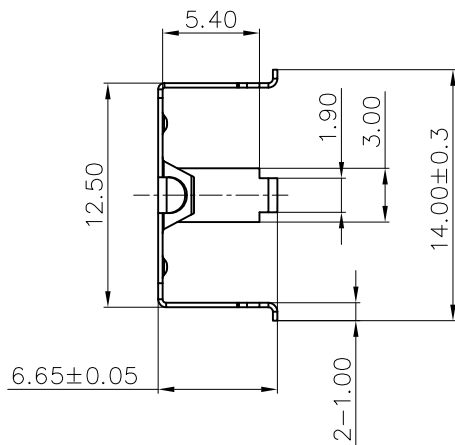
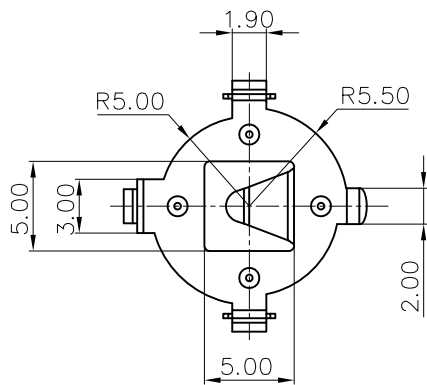
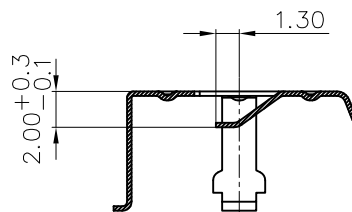
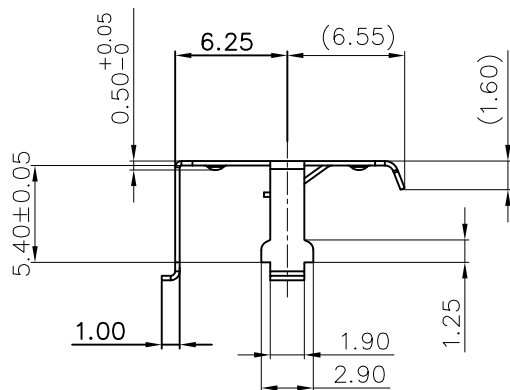
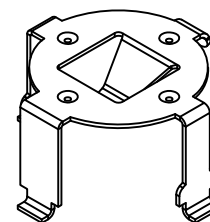




REV.	ECN NO.	REVISED	DATE



PCB Layout Diagram
Top View



技术要求:

- 1、截断面毛刺高度 $\leq 0.03\text{mm}$;
- 2、部件要求平整,无变形、裂纹、损伤等外观缺陷;

UNLESS OTHERWISE SPECIFIED TOLERANCES		MYOUNG 美阳 www.meiyangdz.com	
DECIMALS: X :±0.30 X.X :±0.25 X.XX :±0.20 X.XXX :±0.10	ANGLES: X :±1° X.X :±0.5°	DSND YangFeng	DATE 2021-05-11
WEIGHT:		CHKD ZhouRuicai	DATE 2021-05-11
		APVD XueShunyong	DATE 2021-05-11
SHEET 1 OF 1		SCALE:	SIZE: A4
		UNIT: mm	REV.: A/0
		VIEW:	OBJECT: MY
		TITLE: 电池扣LR44-W01 Ni SMT	
		PART NO.: MY-LR44-02	
		DRAW NO.:MY-CP-0245	

1	TERMINAL+	1	C5191 T=0.25mm	Ni-Plating
NO.	PART NAME	Q'TY	MATERIAL	PLATING & COLOR