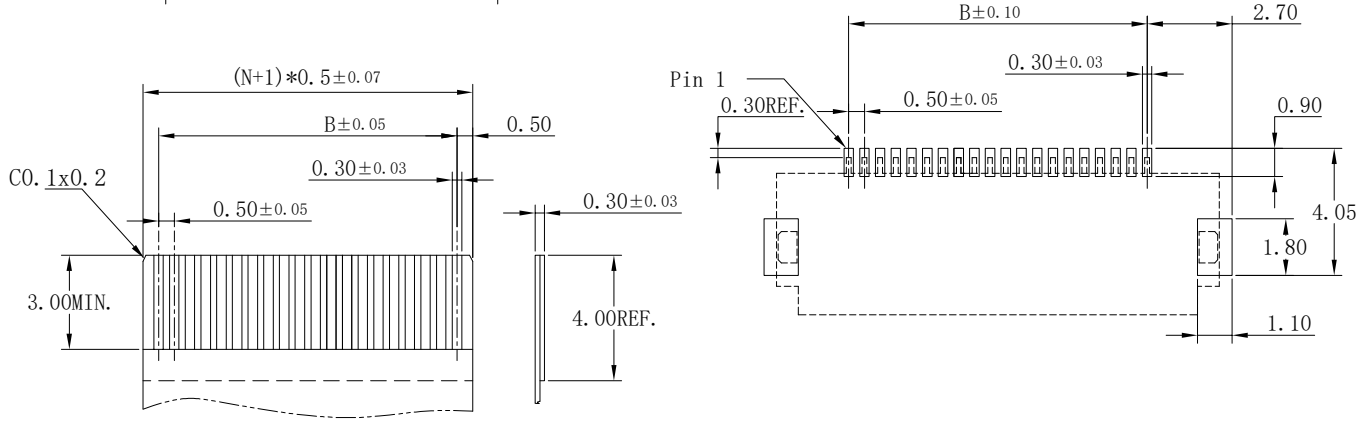
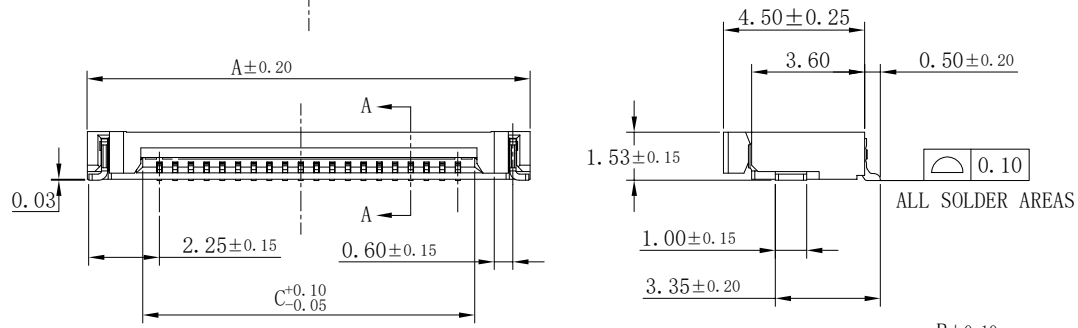
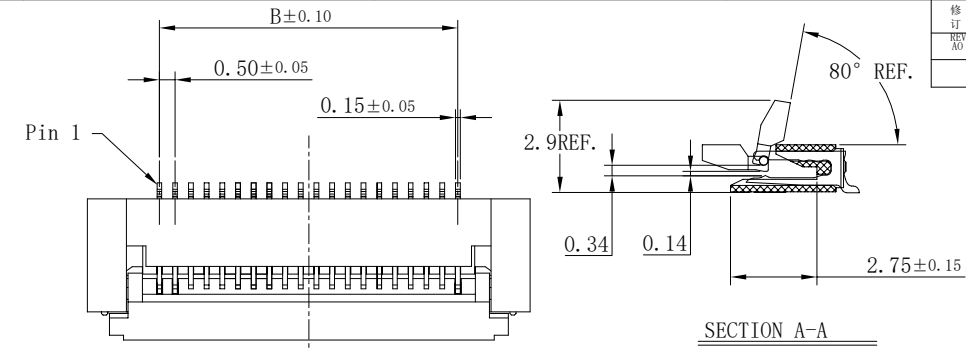


修 订 REV NO	标 记 MARK	修 改 描 要 REVISION DESCRIPTION	签 名 SIGNATURE	日 期 DATE
		NEW DRG		2016-03-12


- NOTES:
- MATERIAL:  
HOUSING: HIGHT-TEMP PLASTIC, UL 94-V0, COLOR:NATURE;  
COVER: HIGHT-TEMP PLASTIC, UL 94-V0, COLOR:BLACK;  
CONTACT: COPPER ALLOY;  
LEG: **Brass.** ;
  - PLATING:  
CONTACT: GOLD OR TIN PLATED ON NICKEL OVERALL.  
LEG: TIN PLATED ON NICKEL OVERALL.
  - RATING:  
CURRENT RATING: 0.5A AC/DC  
VOLTAGE RATING: 25V AC/DC  
TEMPERATURE RANGE: -25° C~+85° C;




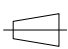
APPLICABLE FFC  
TOLERANCE: ±0.05

RECOMMEND PCB LAYOUT  
TOLERANCE: ±0.05

PIN NO.	DIM.A	DIM.B	DIM.C	PIN NO.	DIM.A	DIM.B	DIM.C	PIN NO.	DIM.A	DIM.B	DIM.C
4	6.10	1.50	2.57	24	16.10	11.50	12.57	44	26.10	21.50	22.57
5	6.60	2.00	3.07	25	16.60	12.00	13.07	45	26.60	22.00	23.07
6	7.10	2.50	3.57	26	17.10	12.50	13.57	46	27.10	22.50	23.57
7	7.60	3.00	4.07	27	17.60	13.00	14.07	47	27.60	23.00	24.07
8	8.10	3.50	4.57	28	18.10	13.50	14.57	48	28.10	23.50	24.57
9	8.60	4.00	5.07	29	18.60	14.00	15.07	49	28.60	24.00	25.07
10	9.10	4.50	5.57	30	19.10	14.50	15.57	50	29.10	24.50	25.57
11	9.60	5.00	6.07	31	19.60	15.00	16.07	51	29.60	25.00	26.07
12	10.10	5.50	6.57	32	20.10	15.50	16.57	52	30.10	25.50	26.57
13	10.60	6.00	7.07	33	20.60	16.00	17.07	53	30.60	26.00	27.07
14	11.10	6.50	7.57	34	21.10	16.50	17.57	54	31.10	26.50	27.57
15	11.60	7.00	8.07	35	21.60	17.00	18.07	55	31.60	27.00	28.07
16	12.10	7.50	8.57	36	22.10	17.50	18.57	56	32.10	27.50	28.57
17	12.60	8.00	9.07	37	22.60	18.00	19.07	57	32.60	28.00	29.07
18	13.10	8.50	9.57	38	23.10	18.50	19.57	58	33.10	28.50	29.57
19	13.60	9.00	10.07	39	23.60	19.00	20.07	60	34.10	29.50	30.57
20	14.10	9.50	10.57	40	24.10	19.50	20.57	61	34.60	30.00	31.07
21	14.60	10.00	11.07	41	24.60	20.00	21.07	68	38.10	33.50	34.57
22	15.10	10.50	11.57	42	25.10	20.50	21.57	70	39.10	34.50	35.57
23	15.60	11.00	12.07	43	25.60	21.00	22.07	80	44.10	39.50	40.57



深圳市华德共创科技有限公司  
Shenzhen Huade co-create Technology Co., LTD  
电话: 0755-23304126 传真: 0755-29940187

-TOLERANCES- UNLESS OTHERWISE SPECIFIED 公差参数表		 	TITLE: 产品名称: FPC 0.5间距1.5高掀盖式					
X.X	±0.30	X.X*	±3°	APPD: 核准:	PART NO: 产品编号: 0.5K-1.5-nPWB			
X.XX	±0.20	X.XX*	±2°	CHECK: 校对: 王建业	DATE	SCALE	UNIT	CODE NUMBER
X.XXX	±0.10	X.XXX*	±1°	DRAW: 绘图: 黄艳兰	2016-03-12	1:1	mm	A001