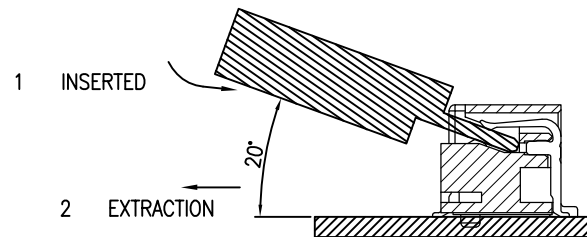
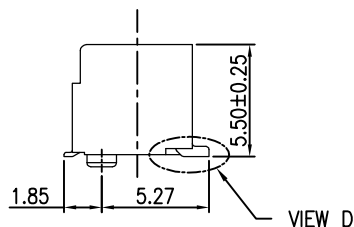
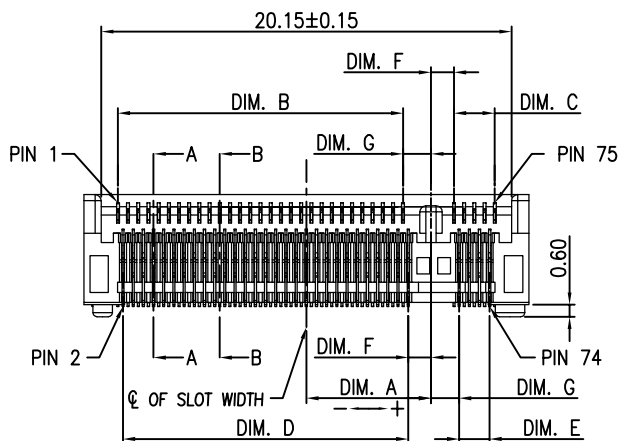


VIEW D
SCALE 4:1

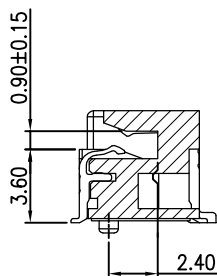
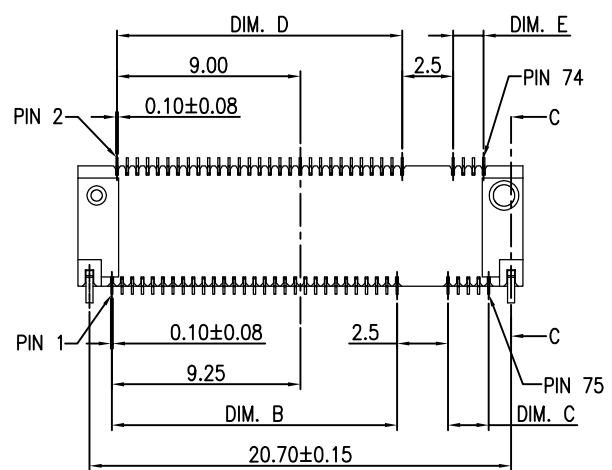
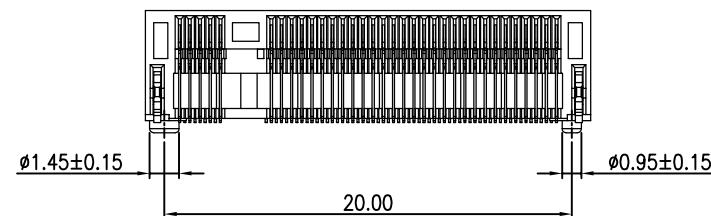
ALL SOLDERTAIL
& FITTING NAIL



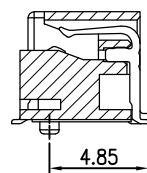
RECOMMENDED OPERATING FLOW:
MATE: 1
UNMATE: 2



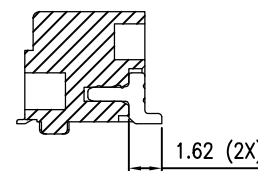
VIEW D



SECTION A-A



SECTION B-B

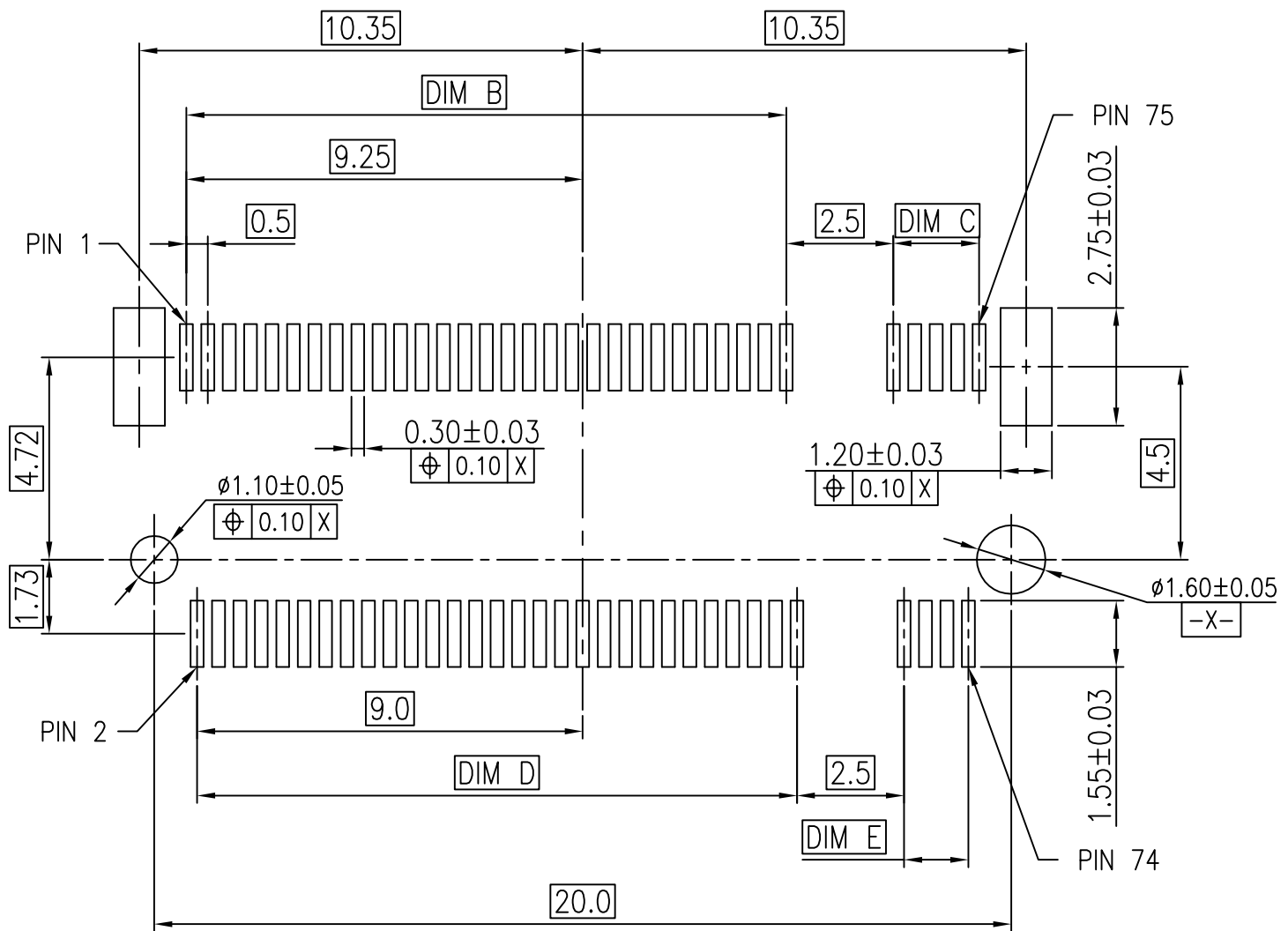


SECTION C-C

TOLERANCE		UMax conn	东莞市友贸实业有限公司 DONGGUAN UMAXCONN ENTERPRISE LIMITED	
LINEAR	ANGLES		APPD:	MAT'L:
X.±0.40	X'±	CHKD:	Schumi	FINISH:
.X±0.30	.X'±	DRWN:	Terry	Q'TY:
.XX±0.20	.XX'±			
.XXX±0.10	.XXX'±			

TITLE:	M.2 CONN. P=0.5 5.5mm H			
PART NO.	91302-55-067RXX			
DWG NO.	C-91302-55			
UNITS	SCALE	SHEET	REV	
	MM	1 : 1	1 OF 4	0

0	----	Schumi	Sept,22,2020
REV	ECN NO.	NAME	DATE

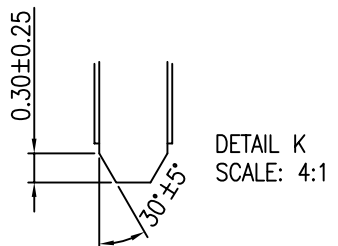
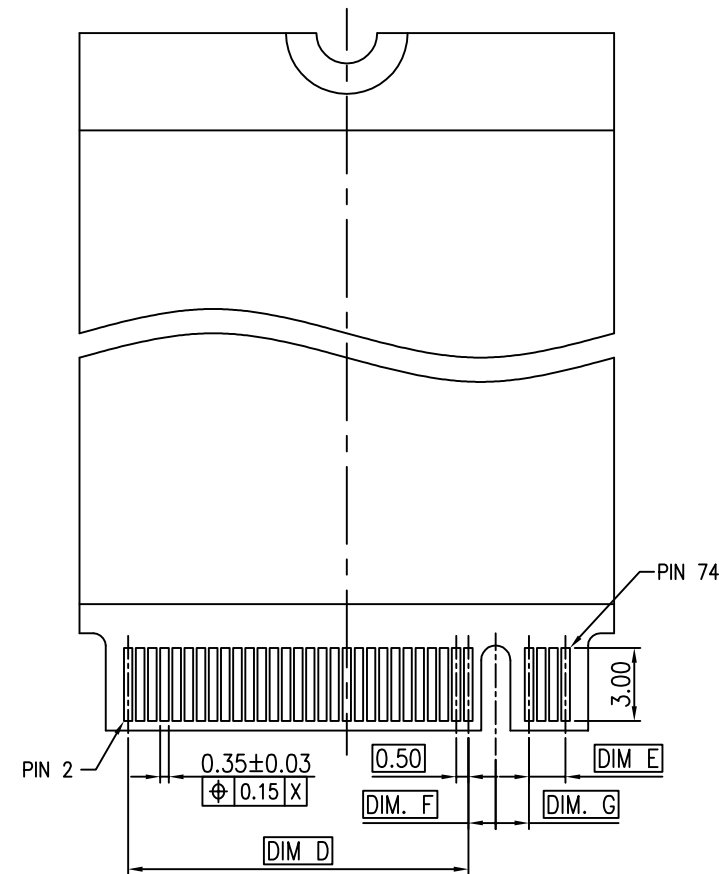
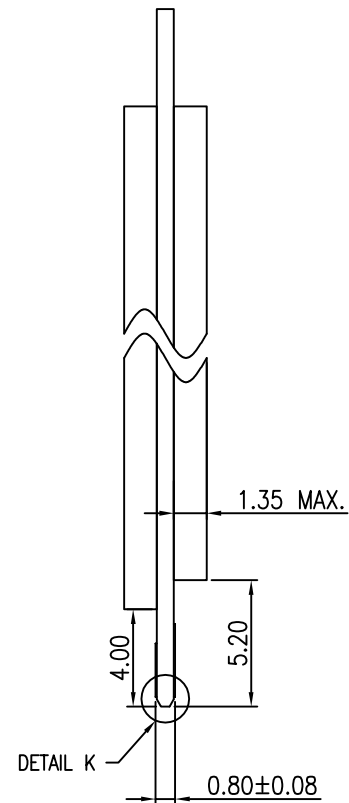
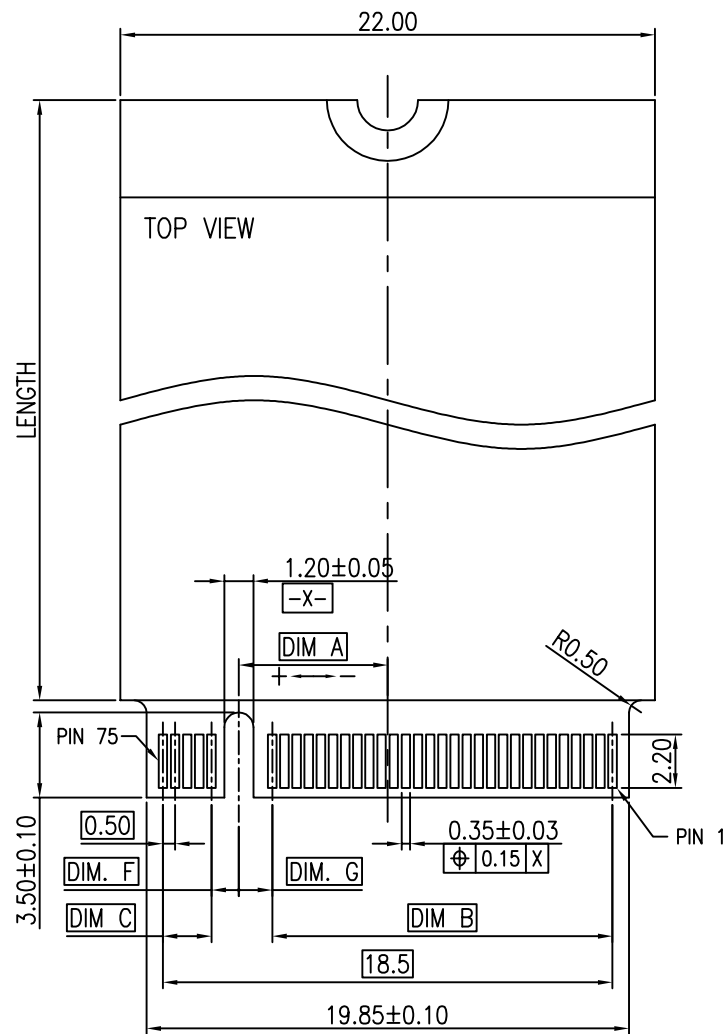


TOLERANCE	
LINEAR	ANGLES
X.±0.40	X'±
.X±0.30	.X'±
.XX±0.20	.XX'±
.XXX±0.10	.XXX'±

UMax conn 东莞市友贸实业有限公司 DONGGUAN UMAXCONN ENTERPRISE LIMITED	
APPD: Jason	MAT'L:
CHKD: Schumi	FINISH:
DRWN: Terry	Q'TY:

TITLE: M.2 CONN. P=0.5 5.5mm H			
PART NO. 91302-55-067RXX			
DWG NO. C-91302-55			
UNITS	SCALE	SHEET	REV
MM	1 : 1	2 OF 4	0

SEE SHEET 1			
REV	ECN NO.	NAME	DATE



TOLERANCE	
LINEAR	ANGLES
X.±0.40	X'±
.X±0.30	.X'±
.XX±0.20	.XX'±
.XXX±0.10	.XXX'±

UMax conn 东莞市友贸实业有限公司 DONGGUAN UMAXCONN ENTERPRISE LIMITED	
APPD: Jason	MAT'L:
CHKD: Schumi	FINISH:
DRWN: Terry	Q'TY:

TITLE: M.2 CONN. P=0.5 5.5mm H			
PART NO. 91302-55-067RXX			
DWG NO. C-91302-55			
UNITS	SCALE	SHEET	REV
MM	1 : 1	3 OF 4	0

REV	SEE SHEET 1	NAME	DATE
	ECN NO.		

NOTES:

1. MATERIAL :
 - 1.1 HOUSING: THERMOPLASTIC, HIGH TEMPERATURE,
UL94 V-0, COLOR: BLACK.
 - 1.2 CONTACT: COPPER ALLOY.
 - 1.3 FITTING NAIL: COPPER ALLOY.
2. FINISH :
 - 2.1 CONTACT
[SEE TABLE] GOLD PLATING ON THE CONTACT AREA.
GOLD FLASH PLATING ON THE SOLDERING AREA.
1.27um~2.54um [50u"~100u"] MIN. NICKEL UNDERPLATING OVERALL.
 - 2.2 FITTING NAIL
2.54um~5.08um [100u"~200u"] MIN. MATTE-TIN PLATING ON THE SOLDERING AREA.
1.27um~2.54um [50u"~100u"] MIN. NICKEL UNDERPLATING OVERALL.
3. PACKAGING SPEC.: K-91302-402

PART NO.:

91302-55 - 067 R X X

55: 5.5mm HEIGHT

67 CONTACTS

PACKING OPTIONS
R: TAPE & REEL


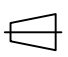
KEY ID OPTIONS
A, B, C, D, E, F
G, H, J, K, L, M

CONTACT AREA PLATING
2: GOLD FLASH
C: 15u" GOLD
D: 30u" GOLD

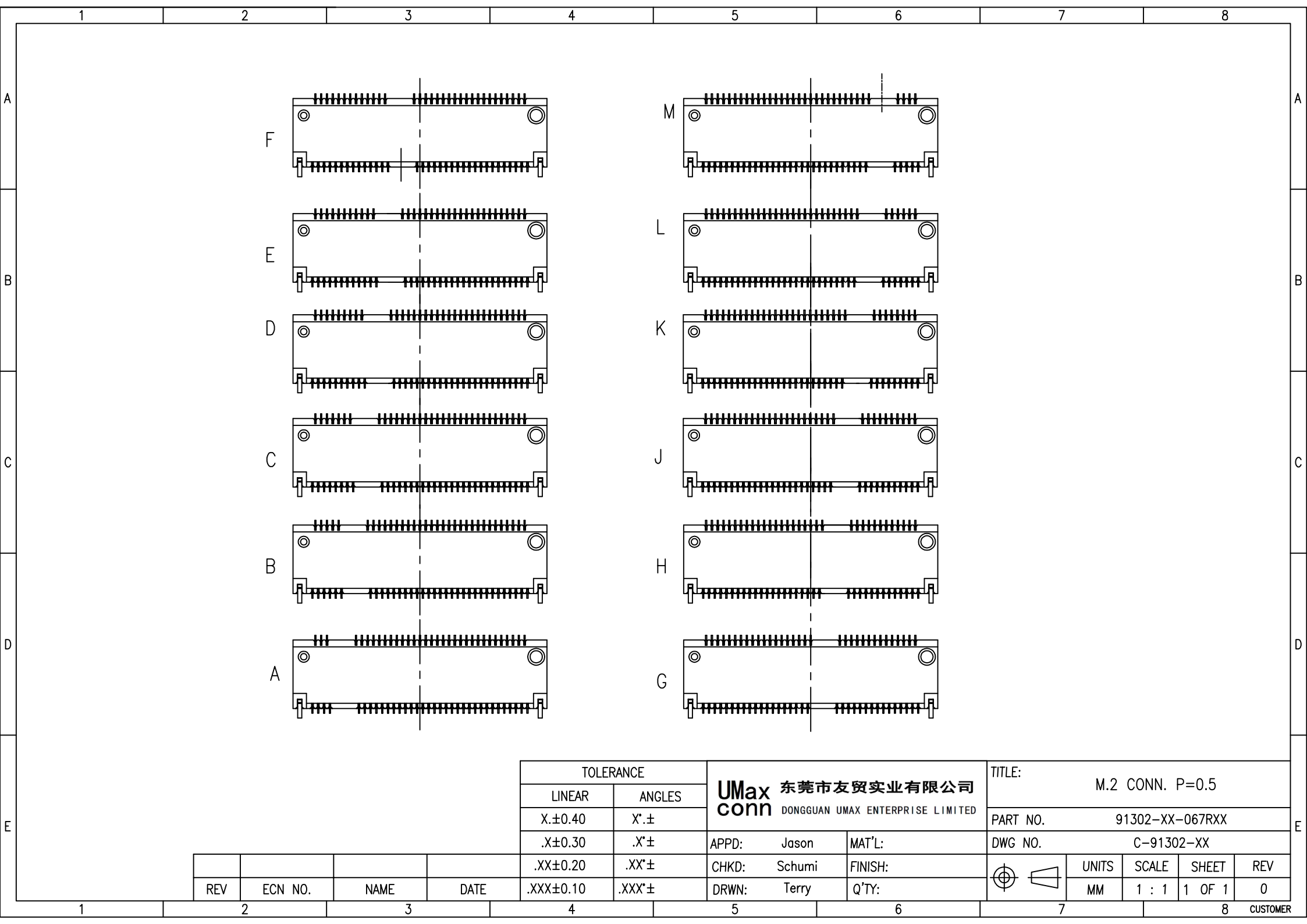
1.375	1.125	1.5	14.0	2.0	14.0	6.125	M
1.375	1.125	2.5	13.0	3.0	13.0	5.125	L
1.375	1.125	3.5	12.0	4.0	12.0	4.125	K
1.375	1.125	4.5	11.0	5.0	11.0	3.125	J
1.375	1.125	5.5	10.0	6.0	10.0	2.125	H
1.375	1.125	6.5	9.0	7.0	9.0	1.125	G
DIM. G	DIM. F	DIM. E	DIM. D	DIM. C	DIM. B	DIM. A	KEY ID

1.125	1.375	9.5	6.0	9.5	6.5	-1.625	F
1.125	1.375	10.5	5.0	10.5	5.5	-2.625	E
1.125	1.375	11.5	4.0	11.5	4.5	-3.625	D
1.125	1.375	12.5	3.0	12.5	3.5	-4.625	C
1.125	1.375	13.5	2.0	13.5	2.5	-5.625	B
1.125	1.375	14.5	1.0	14.5	1.5	-6.625	A
DIM. G	DIM. F	DIM. E	DIM. D	DIM. C	DIM. B	DIM. A	KEY ID

TOLERANCE		 东莞市友贸实业有限公司 DONGGUAN UMAXCONN ENTERPRISE LIMITED
LINEAR	ANGLES	
X.±0.40	X'±	
.X±0.30	.X'±	
.XX±0.20	.XX'±	APPD: Jason
.XXX±0.10	.XXX'±	CHKD: Schumi
		DRWN: Terry
		MAT'L:
		FINISH:
		Q'TY:

TITLE:		M.2 CONN. P=0.5 5.5mm H			
PART NO.		91302-55-067RXX			
DWG NO.		C-91302-55			
 	UNITS	SCALE	SHEET	REV	
	MM	1 : 1	4 OF 4	0	

SEE SHEET 1			
REV	ECN NO.	NAME	DATE



TOLERANCE	
LINEAR	ANGLES
X.±0.40	X'±
.X±0.30	.X'±
.XX±0.20	.XX'±
.XXX±0.10	.XXX'±

UMax conn 东莞市友贸实业有限公司 DONGGUAN UMAX ENTERPRISE LIMITED		APPD:	Jason	MAT'L:	
		CHKD:	Schumi	FINISH:	
DRWN:	Terry	Q'TY:			

TITLE:		M.2 CONN. P=0.5			
PART NO.		91302-XX-067RXX			
DWG NO.		C-91302-XX			
	UNITS	SCALE	SHEET	REV	
	MM	1 : 1	1 OF 1	0	

REV	ECN NO.	NAME	DATE
-----	---------	------	------