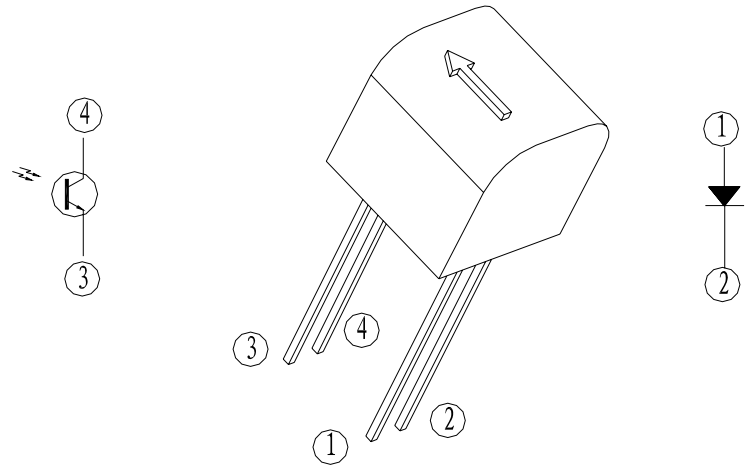
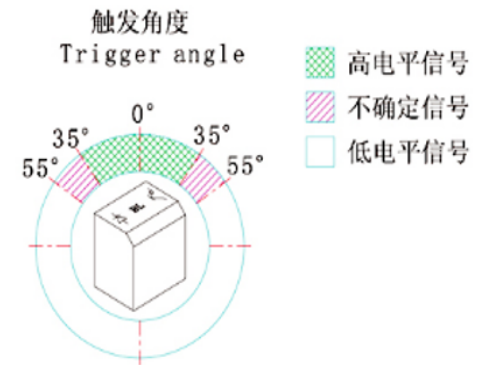


电器性能规格 Electrical Characteristics:  
 工作电压operating voltage : 1.5~6V  
 工作电流operating current : < 10MA  
 工作温度Working temperature : -10~75  
 开路电阻Open circuit resistance : > 10M ohm  
 闭路电阻Closed circuit resistance : < 10 ohm  
 导通时间Conduction time : > 2ms  
 操作寿命operating life : 200,000 times



6	红外线对射管	二极管	2
5	仓盖	黄铜, 镀镍	1
4	仓体	黄铜, 镀镍	1
3	胶盖	PA66	1
2	胶芯	PA66	1
1	滚珠	黄铜, 镀镍	1
序号	零件名称	材质	数量

					units: mm	DSND	DATE	SCALE: N/A	MODEL TYPE: Vibration transducer		
					tolerance:	DWN	DATE	VIEW:	PART NO.:		
ΔX					X.X ±0.2mm	CHKD	DATE	UNIT: mm/in	DWG NO.:		
ΔX					X.XX ±0.1mm	APPD	DATE	SIZE: A4	SR-0609-07		
MARK	DESCRIPTION	DATE	REVISED	APPROVED	X.XXX ±0.05mm				WEIGHT	SHEET	REVISION
REVISIONS					UNSPECIFIED TOLERANCES	XKB INDUSTRIAL PRECISION CO., LIMITED			1.0g	1/1	A0
www.helloxb.com www.helloxb.cn											