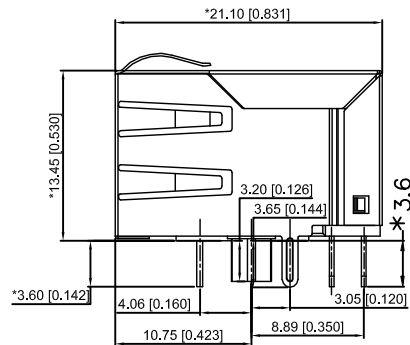
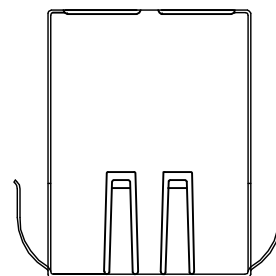


LEFT SIDE VIEW

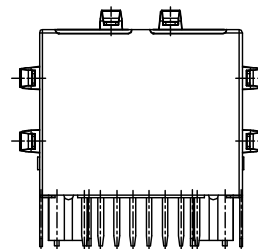


RIGHT SIDE VIEW

XKB Connectivity



TOP VIEW



BACK VIEW

XKB Connectivity

MATERIAL 材料:

- HOUSING 外壳: PBT,UL94V-0,BLACK.
- TERMINALS BRACKET 端子支架: PBT,UL94V-0,BLACK.
- SHIELD 保护物: C2680,T=0.20MM,NICKEL PLATING ON ALL AREA.
- TERMINAL 端子: PHOSPHOR BRONZE C5210,T=0.35MM, GOLD PLATING ON CONTACT AREA.

MECHANICAL 机械:

- DURABILITY 耐用性: 750 CYCLES MIN.
- MATING FORCE 配合力: 23N MAX.
- OPERATING TEMPERATURE 工作温度: -40°C~+85°C.
- STORAGE TEMPERATURE 储存温度: -40°C~+85°C.
- ALL CRITICAL DIMENSIONS WITH "★"

XKB Connectivity

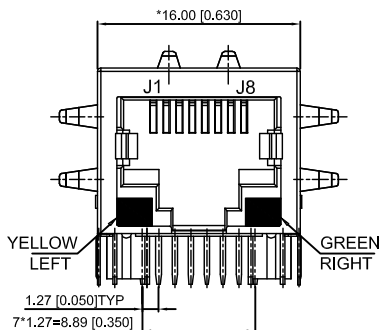
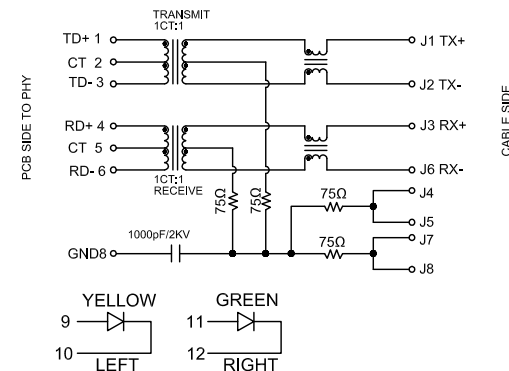
Electrical 电气:

- Turn ratio 匝数比: 1~3:J1~J2=1CT:1CT(±2%).
4~6:J3~J6=1CT:1CT(±2%)
- OCL:350uH Min.at 100KHz 100mV 8mA DC.
- Insertion Loss 插入损耗:-1.0 dB Max 1~100MHz.
- Return loss 回波损耗:-20dB Min 1~10MHz.
-16dB Min 10~30MHz.
-12dB Min 30~60MHz.
-10dB Min 60~80MHz.
- Cross talk: -40dB Min 1~30MHz;
-35dB Min 30~60MHz;
-30dB Min 60~100MHz;
- CMR:-30dB Min 1~100MHz;
- Hi-Pot:1500V AC&2250V DC 6S 1mA PRI TO SEC.

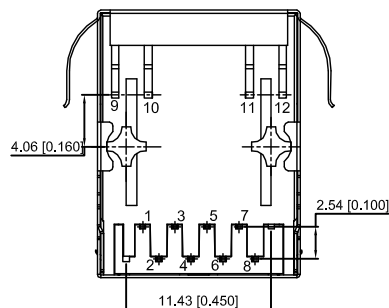
XKB Connectivity

LED Specification

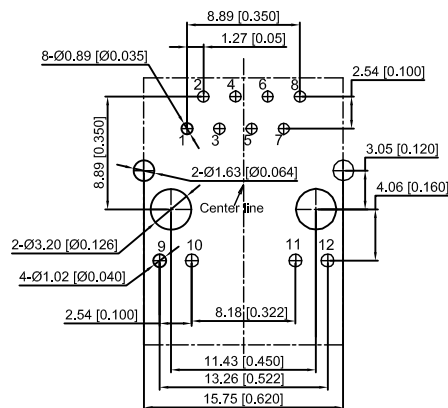
Standard LED Color	LED Wavelength	Forward(A)	Forward(V)
Green	568nm	20mA	1.85-2.45V
Yellow	589nm	20mA	1.7-2.2V



FRONT VIEW



BOTTOM VIEW



RECOMMENDED PCB LAYOUT VIEWED FROM COMPONENT SIDE

XKB Connectivity

DSND		DATE		SCALE: N/A	MODEL TYPE: RJ JACK
DWN		DATE		VIEW:	PART NO.:
CHKD		DATE		UNIT: mm/in	DWG NO.:
APPD		DATE		SIZE: A4	X01AB083DB1AD
				WEIGHT	SHEET
XKB INDUSTRIAL PRECISION CO.,LIMITED				1.0g	1/1
				REVISION	A0

MARK	DESCRIPTION	DATE	REVISED	APPROVED	ANGLAR	±5°
ΔX					L ≤ 4	±0.2
ΔX					4 < L ≤ 16	±0.3
ΔX					16 < L ≤ 63	±0.4
					L > 63	±0.5
REVISIONS						UNSPECIFIED TOLERANCES
www.xk-dg.cn www.helloxkb.com www.helloxkb.cn						