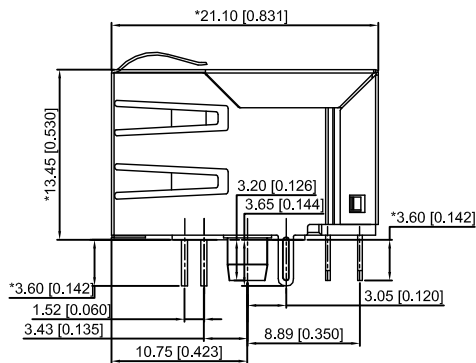
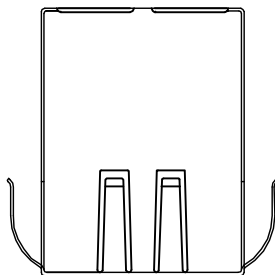


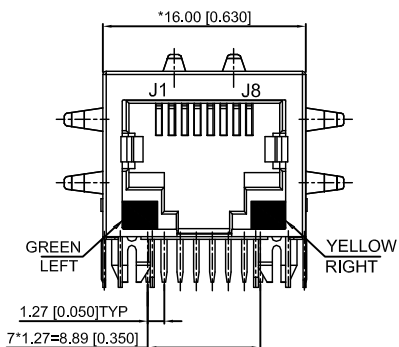
LEFT SIDE VIEW



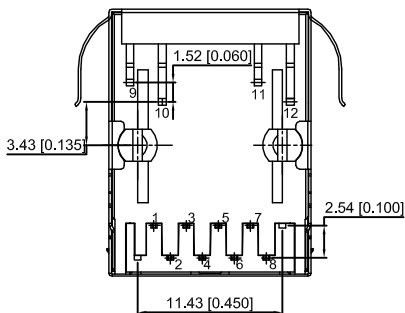
RIGHT SIDE VIEW



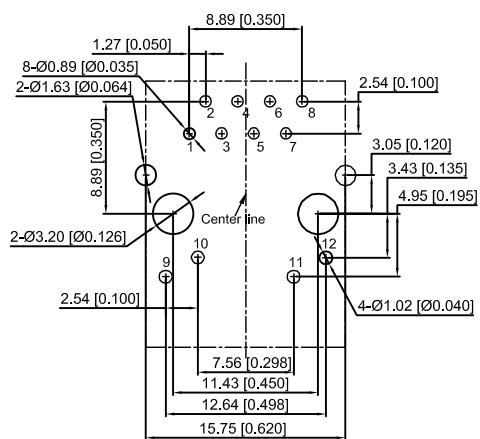
TOP VIEW



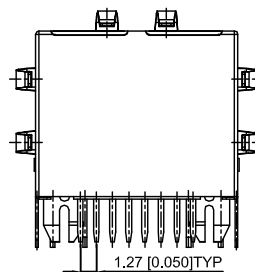
FRONT VIEW



BOTTOM VIEW



RECOMMENDED PCB LAYOUT VIEWED FROM COMPONENT SIDE



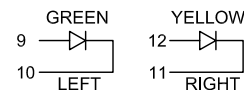
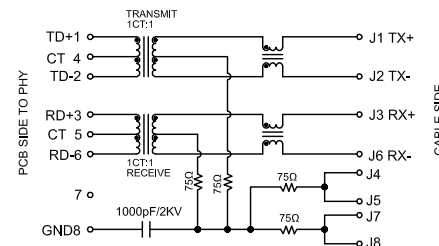
BACK VIEW

- Electrical 电气:
- Turn ratio 匝数比: 1~2: J1~J2=1CT:1CT(±2%), 3~6: J3~J6=1CT:1CT(±2%)
 - OCL: 350uH Min. at 100KHz 100mV 8mA DC.
 - Insertion Loss 插入损耗: -1.0 dB Max 1~100MHz.
 - Return loss 回波损耗: -20dB Min 1~10MHz, -16dB Min 10~30MHz, -12dB Min 30~60MHz, -10dB Min 60~80MHz.
 - Cross talk: -40dB Min 1~30MHz; -35dB Min 30~60MHz; -30dB Min 60~100MHz.
 - CMR: -30dB Min 1~100MHz.
 - Hi-Pot: 1500V AC & 2250V DC 6S 1mA PRI TO SEC.

XKB Connectivity

LED Specification

Standard LED Color	LED Wavelength	Forward(A)	Forward(V)
Green	568nm	20mA	1.85-2.45V
Yellow	585nm	20mA	1.7-2.2V



XKB Connectivity

MATERIAL 材料:

HOUSING : PBT,UL94V-0,BLACK.

TERMINALS BRACKET 端子支架: PBT,UL94V-0,BLACK.

SHIELD 保护物: C2680,T=0.20MM,NICKEL PLATING ON ALL AREA.

TERMINAL 端子: PHOSPHOR BRONZE C5210,T=0.35MM, GOLD PLATING ON CONTACT AREA.

MECHANICAL 机械:

DURABILITY 耐用性: 750 CYCLES MIN.

MATING FORCE 配合力: 23N MAX.

OPERATING TEMPERATURE 工作温度: -40°C~+85°C.

STORAGE TEMPERATURE 储存温度: -40°C~+85°C.

ALL CRITICAL DIMENSIONS WITH "★"

DSND		DATE		SCALE: N/A	MODEL TYPE: RJ JACK
DWN		DATE		VIEW:	PART NO.:
CHKD		DATE		UNIT: mm/in	DWG NO.:
APPD		DATE		SIZE: A4	X01AB002FA2DDB
XKB INDUSTRIAL PRECISION CO.,LIMITED				WEIGHT	SHEET
				1.0g	1/1
				REVISION	A0

ΔX	DESCRIPTION	DATE	REVISED	APPROVED	ANGLAR	±5°
ΔX					L ≤ 4	±0.2
ΔX					4 < L ≤ 16	±0.3
ΔX					16 < L ≤ 63	±0.4
MARK					L > 63	±0.5
REVISIONS						UNSPECIFIED TOLERANCES
www.xk-dg.cn www.helloxkb.com www.helloxkb.cn						