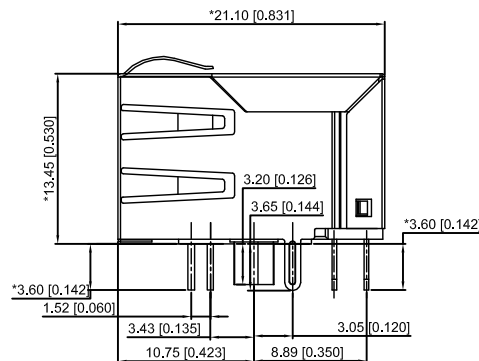
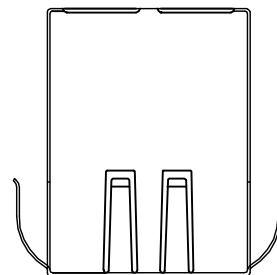


LEFT SIDE VIEW

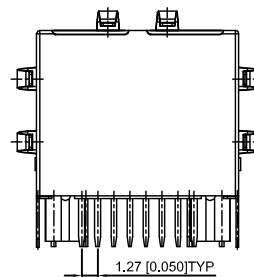


RIGHT SIDE VIEW

XKB Connectivity



TOP VIEW



BACK VIEW

XKB Connectivity  
MATERIAL 材料:

HOUSING 外壳: PBT,UL94V-0,BLACK.  
TERMINALS BRACKET 端子支架: PBT,UL94V-0,BLACK.  
SHIELD 保护物: C2680,T=0.20MM,NICKEL PLATING ON ALL AREA.  
TERMINAL 端子: PHOSPHOR BRONZE C5210,T=0.35MM,  
GOLD PLATING ON CONTACT AREA.

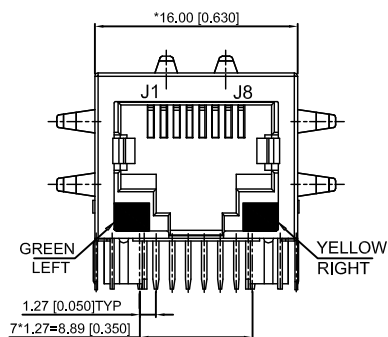
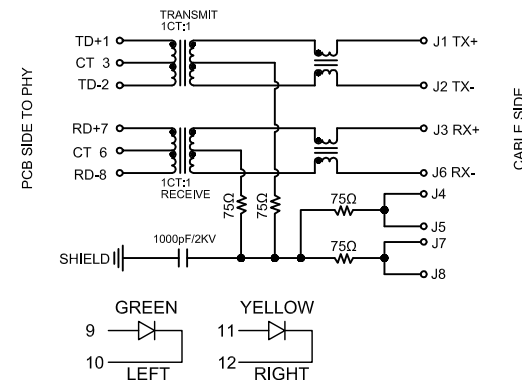
MECHANICAL 机械:

DURABILITY 耐用性: 750 CYCLES MIN.  
MATING FORCE 配合力: 23N MAX.  
OPERATING TEMPERATURE 工作温度: -40°C~+85°C.  
STORAGE TEMPERATURE 储存温度: -40°C~+85°C.  
ALL CRITICAL DIMENSIONS WITH "\*\*"

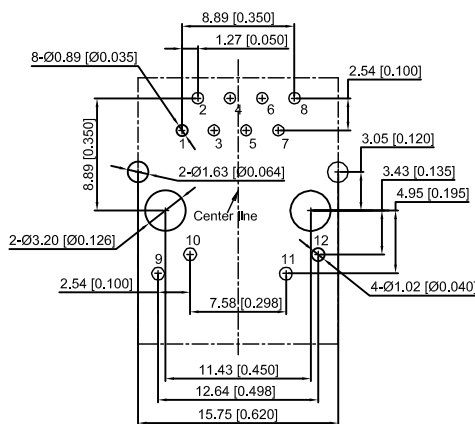
- XKB Connectivity  
Electrical 电气:
- Turn ratio 匝数比: 1~2:J1~J2=1CT:1CT(±2%).  
7~8:J3~J6=1CT:1CT(±2%)
  - OCL: 350uH Min.at 100KHz 100mV 8mA DC.
  - Insertion Loss 插入损耗: -1.0 dB Max 1~100MHz.
  - Return loss 回波损耗: -20dB Min 1~10MHz.  
-16dB Min 10~30MHz.  
-12dB Min 30~60MHz.  
-10dB Min 60~80MHz.
  - Cross talk: -40dB Min 1~30MHz;  
-35dB Min 30~60MHz;  
-30dB Min 60~100MHz;
  - CMR: -30dB Min 1~100MHz;
  - Hi-Pot: 1500V AC & 2250V DC 6S 1mA PRI TO SEC.

XKB Connectivity  
LED Specification

Standard LED Color	LED Wavelength	Forward(A)	Forward(V)
Green	568nm	20mA	1.85-2.45V
Yellow	589nm	20mA	1.7-2.2V

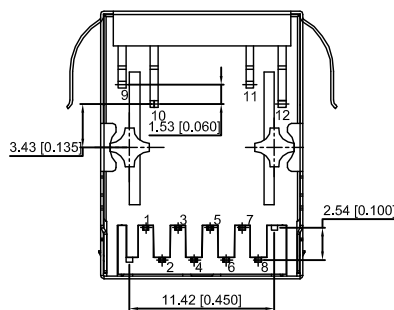


FRONT VIEW



RECOMMENDED PCB LAYOUT  
VIEWED FROM COMPONENT SIDE

XKB Connectivity



BOTTOM VIEW

DSND		DATE		SCALE: N/A	MODEL TYPE: RJ JACK	
DWN		DATE		VIEW:	PART NO.:	
CHKD		DATE		UNIT: mm/in	DWG NO.:	
APPD		DATE		SIZE: A4	X01AB113FB2AD	
				WEIGHT	SHEET	REVISION
XKB INDUSTRIAL PRECISION CO.,LIMITED				1.0g	1/1	A0

					ANGLAR	±5°
ΔX					L ≤ 4	±0.2
ΔX					4 < L ≤ 16	±0.3
ΔX					16 < L ≤ 63	±0.4
MARK					L > 63	±0.5
REVISIONS						UNSPECIFIED TOLERANCES
www.xk-dg.cn www.helloxkb.com www.helloxkb.cn						