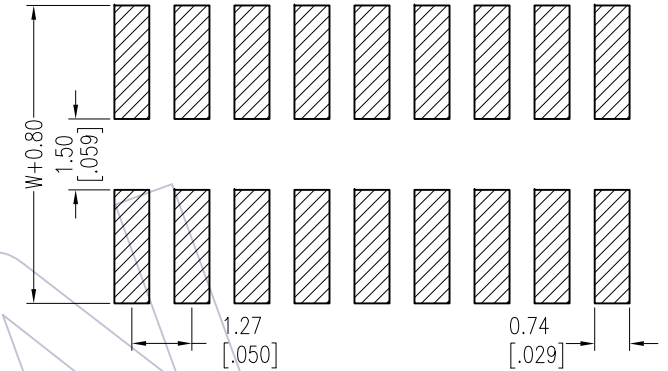
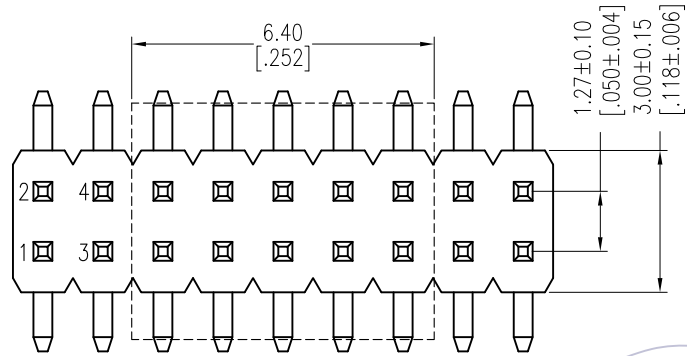


HSF

NOTES:
 Rated Current:1.0AMP.
 Contact Resistance:20mΩ Max.
 Withstand Voltage:500V AC/DC
 Insulation Resistance:1000MΩ Min.
 Operation Temperature:-40°C to +105°C

Contact Material:Brass
 Contact Plating:Au or Sn Over Ni
 Insulator Material:PA9T+33%G.F UL94V-0 BK

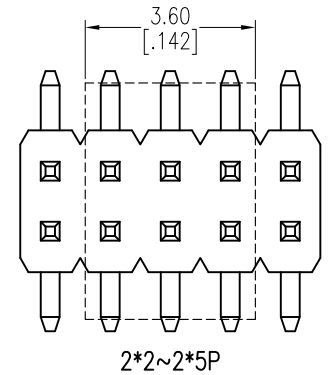
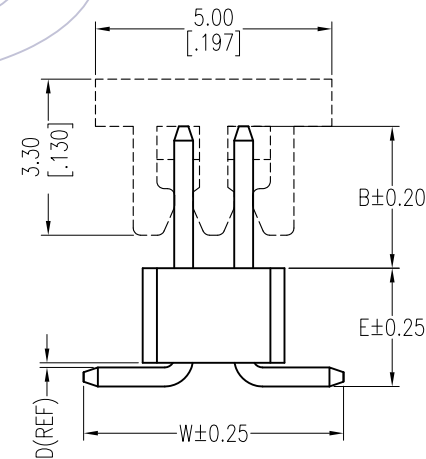
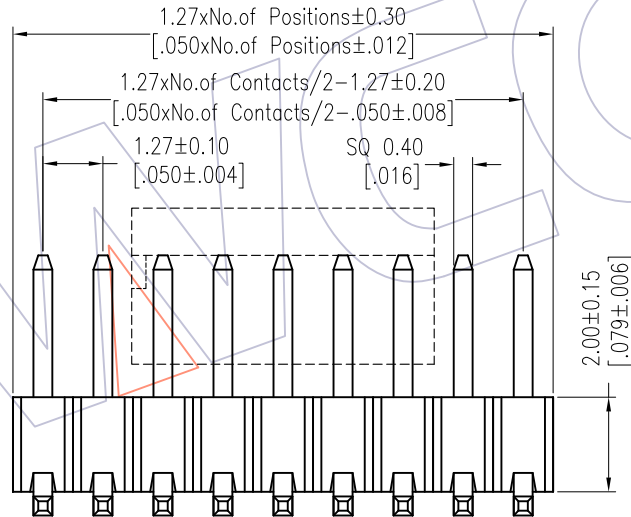
Recommended P.C.B Layout (Top Side)
 (PCB BOARD TOLERANCE±0.05)



Ordering Information

1320-12 XX XX M XXX C R XX

No. of Pins	Contact Plating	Pin Length	Insulator	Series No.
Per Row:02~50	G0=Gold Flash	L=B+D+2.0+ $\frac{W-1.27}{2}$	C=PA9T	01~99
	G3=10u"Gold	Standard:061=6.1		
	G4=15u"Gold	072=7.2		
	G5=30u"Gold	082=8.2		
	S0=Gold Flash/Tin			
	S3=10u"Gold/Tin			
	S4=15u"Gold/Tin			
	S5=30u"Gold/Tin			
	SN=Tin			
	SM=Matte Tin			



Item	Pin Length	W	E	B	Mating
Standard	6.1	5.50	2.50	1.90	2321
	7.2	5.50	2.50	3.00	2334
	8.2	5.50	2.50	4.00	2344
Alternate					

REV	DATE	MODIFICATION DESCRIPTION	CHANGE	OPERATION	DRAW	DATE	SCALE	Fit	PART NO.
				x.X ±0.40	William Chen	2018/01/17	UNIT	mm [inch]	1320-12XXXXMXXXCXXX
A1	2018/01/17	MODIFY PART NO.	-----	x.XX ±0.25	CHECK	DATE	SIZE	A4	TITLE: 1.27 Pin Header, DUAL ROW, SMT, WITHOUT POST, H=2.0
AO	2012/03/22	NEW	-----	x.XXX ±0.15	APPROVE	DATE	SHEET	1/1	Customer NO.
				Angle ± 3'			PROJ.		
				DIM TOL					

WCON

Http: www.wcon.com

WCON-Dongguan Tel: +86 769 85358920 Fax: +86 769 85358915 E-mail: sales@wcon.com	WCON-Kunshan Tel: +86 512 57468408 Fax: +86 512 57468468 E-mail: salesks@wcon.com
---	--