

NOTES:

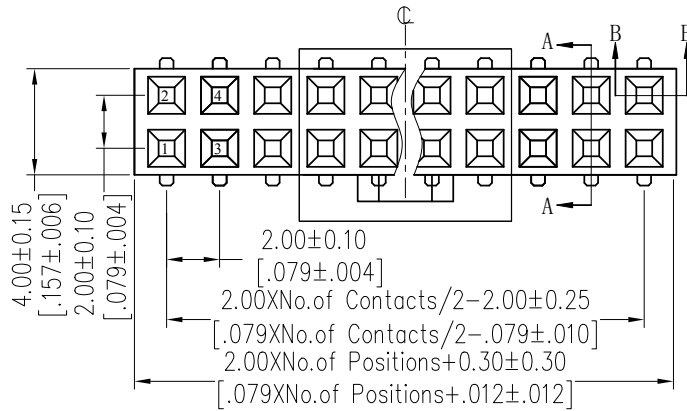
- Current Rating: 2.0AMP
- Contact Resistance: 20mΩ Max
- Withstand Voltage: 500V AC
- Insulation Resistance: 1000MΩ Min ^{A2}
- Operation Temperature: -40℃ to +125℃(Au)
-40℃ to +105℃(Sn)
- Contact Material: Phosphor Bronze
- Contact plating: Au Or Sn over Ni
- Insulator Material: LCP+30%G.F UL94V-0 ^{A1}

Ordering Information

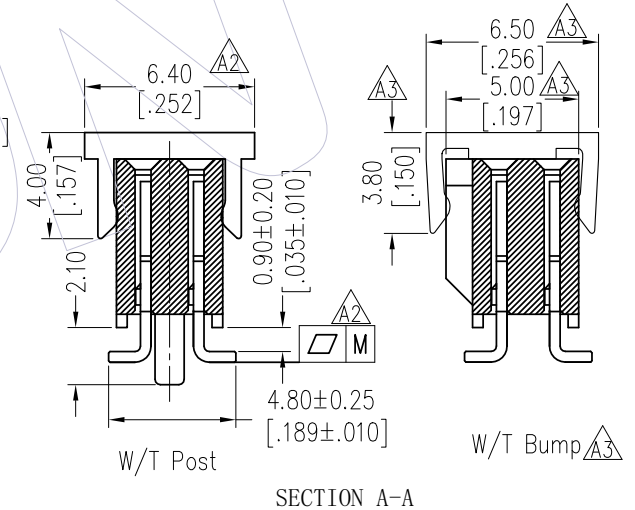
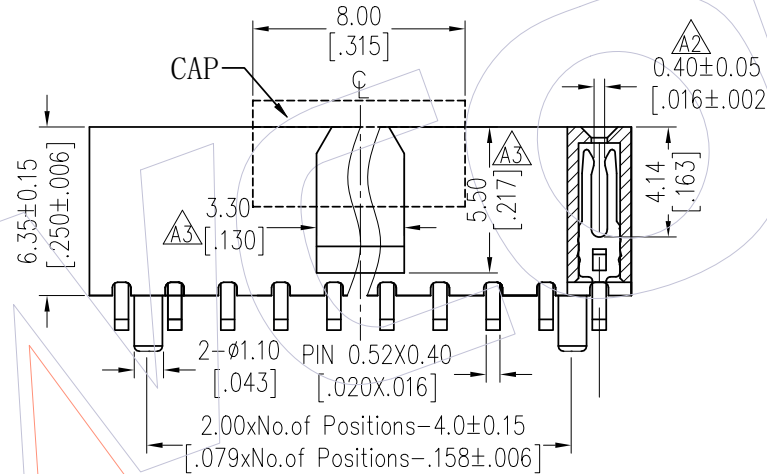
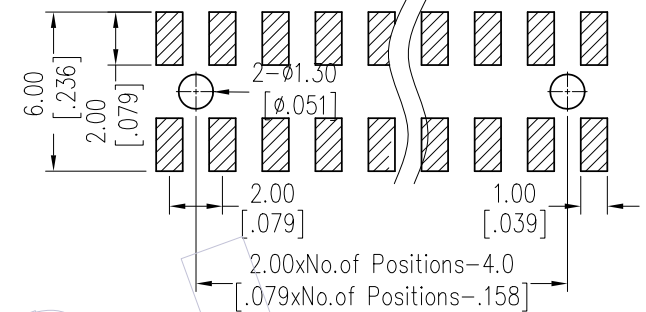
2263 - 2 XX MXX D Y NX X

No. of Pins per ROW: 02-40PIN Insulator: D=LCP Type ^{A3} (See Table)

- Contact Plating:
 G0=Gold Flash
 G3=10μ"Gold
 G4=15μ"Gold
 G5=30μ"Gold
 S0=Gold Flash/Tin
 S3=10μ"Gold/Tin
 S4=15μ"Gold/Tin
 S5=30μ"Gold/Tin
 SN=Tin
 SM=Matte Tin
- Packing:
 T=Tube
 P=Tube+CAP
 R=Tape&Reel+CAP



Recommended P.C.B Layout (Top Side) (PCB BOARD TOLERANCE ±0.05)



Item	Pitch	Mating
Standard	2.00	1215/1220
Alternate		

PIN	2-15P	16-25P	26-40P
M	0.10	0.15	0.18

TITLE	PART NO.	SPEC ^{A3}
TYPE 1	2263-2XXMXXDYNX1	W/O Post,W/O Bump
TYPE 2	2263-2XXMXXDYNX2	W/T Post,W/O Bump
TYPE 3	2263-2XXMXXDYNX6	W/O Post,W/T Bump
TYPE 4	2263-2XXMXXDYNX8	W/T Post,W/T Bump

REV	DATE	MODIFICATION DESCRIPTION	CHANGE	OPERATION	DRAW XSR	DATE	SCALE	FIT	PART NO.
A3	2021/06/07	Add W/T BUMP SPEC&P/N	-----	OPERATION	DRAW XSR	2021/06/07	UNIT mm		SEE TABLE
A2	2019/11/11	Modify Drawing	-----	x.X ±0.40	CHECK	DATE	SIZE A4		TITLE: 2.00mm Female Header DUAL ROW 180°SMT H=6.35
A1	2013/03/15	Modify drawing	-----	x.XX ±0.25	APPROVE	DATE	SHEET 1/1		Customer NO.
A0	2012/07/23	NEW	-----	x.XXX ±0.15			PROJ.		
				Angle ± 3°					
				DIM TOL					

WCON
 Http: www.wcon.com

WCON-Dongguan WCON-Kunshan
 Tel: +86 769 85358920 Tel: +86 512 57468408
 Fax: +86 769 85358915 Fax: +86 512 57468468
 E-mail: sales@wcon.com E-mail: salesks@wcon.com