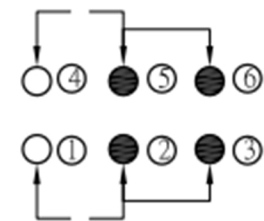
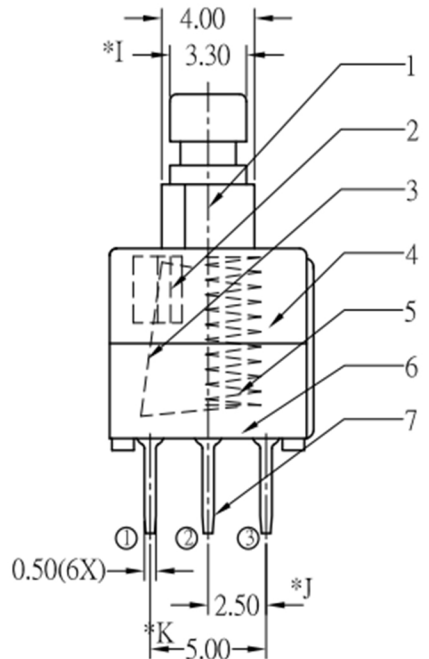
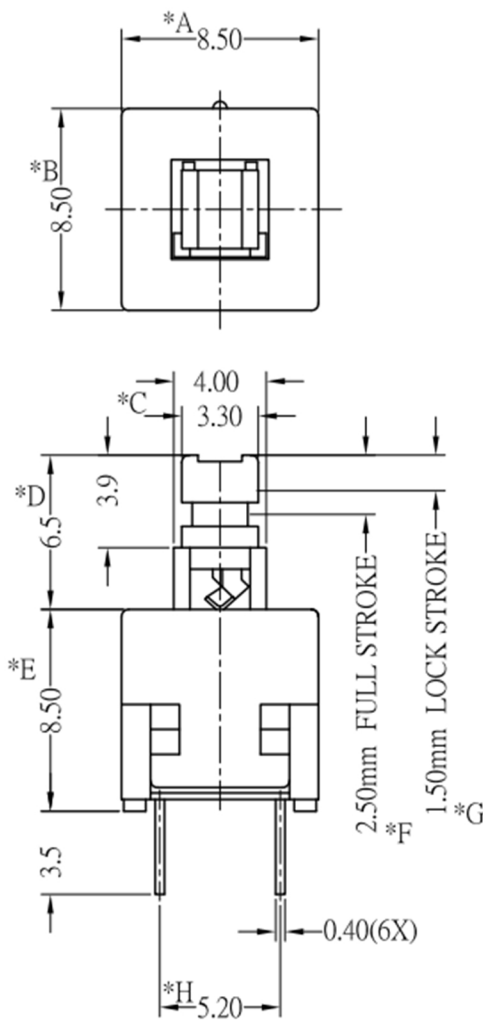


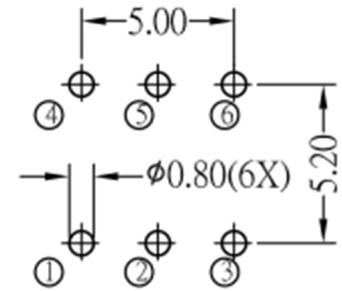
RoHS

CAD GENERATED DRAWING. DON'T CHANGE BY HAND.

REV.	ECN. NO.	APPD.



SCHEMATIC



P.C.B.LAYOUT

* CRITICAL DIMENSION

7	TERMINAL	6	C2680R-EH	Ag COATING
6	CASE	1	PBT	GREY
5	SPRING	1	SUS	NATURAL
4	COVER	1	POM	BLACK
3	CAM STICK	1	SUS	NATURAL
2	CONTACT	2	C5210R-EH	Ag CLAD
1	KNOB	1	POM	BLUE / WHITE
NO.	PART NAME	Q' TY	MATERIAL	FINSH/COLOR

X.	± 0.50	X.°	± 2°	UNITS	mm
.X	± 0.30	.X°	± 1°		
.XX	± 0.10	.XX°	± 0.5°	MAT'L	/
.XXX	± 0.05			FINISH	/
				Q' TY	/

THESE DRAWINGS AND SPECIFICATIONS ARE THE PROPERTY OF YIYUAN TECHNOLOGY CO.,LTD AND SHALL NOT BE REPRODUCED, COPIED OR USED IN ANY MANNER WITHOUT THE PRIOR WRITTEN CONSENT OF YIYUAN TECHNOLOGY CO.,LTD

	深圳市怡远科技有限公司 SHENZHEN YIYUAN TECHNOLOGY CO., LTD							
	PART NO. YTSPS-22E85L2	TITLE: TACTILE SWITCH						
APPD: ROGER	DWG NO. : YTSPS-22E85L2							
CHKD: ROC	<table border="1"> <tr> <td>SCALE</td> <td>SHEET</td> <td>REV.</td> </tr> <tr> <td>1/1</td> <td>1/1</td> <td>A1</td> </tr> </table>		SCALE	SHEET	REV.	1/1	1/1	A1
SCALE	SHEET	REV.						
1/1	1/1	A1						
DR: BILLY WANG 2020/08/21								