

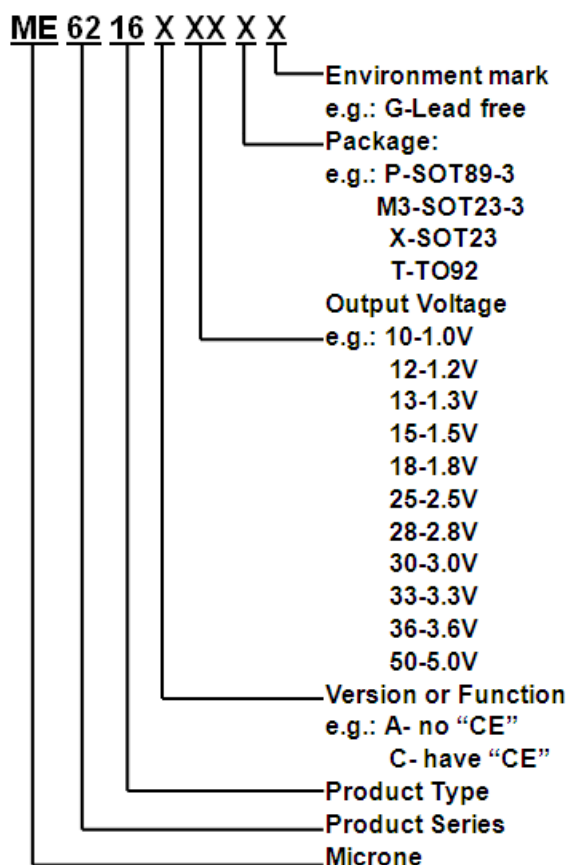
## Low power consumption, Low ESR Cap. Compatible ME6216 Series

### General Description

ME6216 series are highly precise, low power consumption, positive voltage regulators manufactured using CMOS technologies. The series provides large currents with a significantly small dropout voltage.

The series is compatible with low ESR ceramic capacitors. The current limiter's foldback circuit also operates as a short protect for the output current limiter and the output pin.

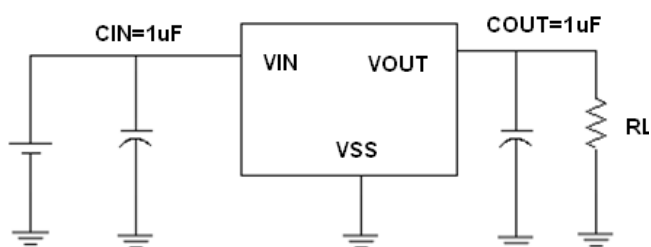
### Selection Guide



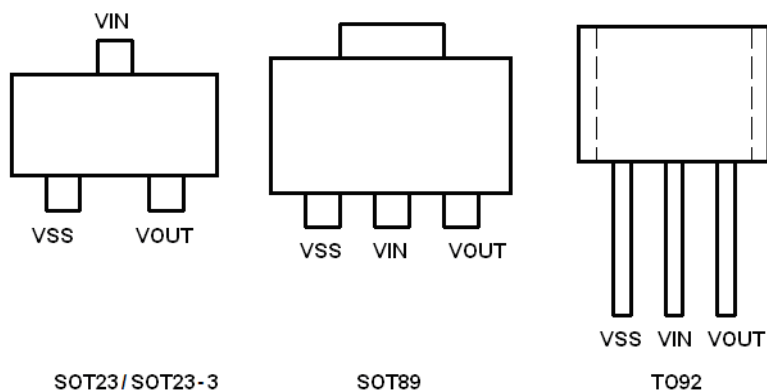
### Features

- Highly Accurate:  $\pm 1\%$
- Output voltage range: 1.0V~5.0V
- Low power consumption: 5uA(TYP.)
- Large output current: 300mA ( $V_{IN}=4.3V, V_{OUT}=3.3V$ )
- Input voltage: up to 6 V
- Dropout voltage:  
0.11V at 100mA and 0.22V at 200mA  
( $V_{IN}=4.3V, V_{OUT}=3.3V$ )
- Excellent Input Stability
- Be available to regulator and reference voltage
- Packages: SOT23-3, SOT89-3, SOT23, TO-92
- Communication tools
- Mobile phones
- Portable games
- Portable AV systems
- Cameras, Video systems
- Reference voltage sources

### Typical Application Circuit



## Pin Configuration



## Pin Assignment

### ME6216Axx

Pin				Name	Function
M3	P	X	T		
SOT23-3	SOT89-3	SOT23	TO-92		
1	1	1	1	VSS	Ground
2	3	2	3	VOUT	Output
3	2	3	2	VIN	Input

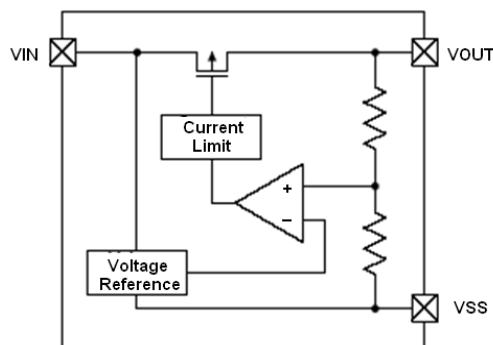
### ME6216Bxx

Pin	Name	Function
P		
SOT89-3		
2	VSS	Ground
1	VOUT	Output
3	VIN	Input

## Absolute Maximum Ratings

Parameter	Symbol	Description	Units
Input Voltage	$V_{IN}$	6.5	V
Output Current	$I_{OUT}$	500	mA
Output Voltage	$V_{OUT}$	$V_{SS}-0.3 \sim V_{OUT}+0.3$	V
Power Dissipation	SOT23-3	$P_d$	300 mW
	SOT89-3	$P_d$	500 mW
	SOT23	$P_d$	300 mW
	TO-92	$P_d$	500 mW
Operating Ambient Temperature	$T_{Opr}$	-25 ~ +85	°C
Storage Temperature	$T_{stg}$	-40 ~ +125	°C

## Block Diagram



## Electrical Characteristics

### ME6216-1.0V

( $V_{IN}=V_{OUT}+1V$ ,  $C_{IN}=C_{OUT}=1\mu F$ ,  $T_a=25^{\circ}C$  Unless otherwise stated)

PARAMETER	SYMBOL	CONDITION	MIX	TYP	MAX	UNIT
Output Voltage	$V_{OUT(E)}$ (Note 2)	$I_{OUT}=10mA$ , $V_{IN}=V_{OUT}+1V$	$V_{OUT(T)}$ -0.015	$V_{OUT(T)}$ (Note 1)	$V_{OUT(T)}$ +0.015	V
Input Voltage	$V_{IN}$				6	V
Maximum Output Current	$I_{OUT} (max)$	$V_{IN}= V_{OUT} +1V$		200	250	mA
Load Regulation	$\Delta V_{OUT}$	$V_{IN}= V_{OUT} +1V$ $1mA \leq I_{OUT} \leq 100mA$		6	10	mV
Dropout Voltage (Note 3)	$V_{dif1}$	$I_{OUT} =50mA$		280	300	mV
	$V_{dif2}$	$I_{OUT} =80mA$		390	410	mV
Supply Current	$I_{SS}$	$V_{IN}= V_{OUT} +1V$		5	8	$\mu A$
Line Regulations	$\frac{\Delta V_{OUT}}{\Delta V_{IN} \cdot V_{OUT}}$	$I_{OUT} =10mA$ $V_{out}+1V \leq V_{IN} \leq 6V$		0.05	0.2	%/V
Power Supply Ripple Rejection Ratio	PSRR	$V_{IN} = [V_{OUT} +1]V$ $+1V_{p-pAC}$ $I_{OUT} =10mA, f=1kHz$		65		dB
Short Circuit Current	$I_{short}$	$V_{IN} = V_{OUT} (T)+1V$ $V_{OUT} =V_{SS}$		50	80	mA
Over Current Protection	$I_{limit}$	$V_{IN}= V_{OUT} +1V$		310		mA

### ME6216-1.2V

( $V_{IN}=V_{OUT}+1V$ ,  $C_{IN}=C_{OUT}=1\mu F$ ,  $T_a=25^{\circ}C$  Unless otherwise stated)

PARAMETER	SYMBOL	CONDITION	MIX	TYP	MAX	UNIT
Output Voltage	$V_{OUT(E)}$ (Note 2)	$I_{OUT}=10mA$ , $V_{IN}=V_{OUT}+1V$	$V_{OUT(T)}$ -0.015	$V_{OUT(T)}$ (Note 1)	$V_{OUT(T)}$ +0.015	V
Input Voltage	$V_{IN}$				6	V
Maximum Output Current	$I_{OUT} (max)$	$V_{IN}= V_{OUT} +1V$		250	300	mA
Load Regulation	$\Delta V_{OUT}$	$V_{IN}= V_{OUT} +1V$		6	10	mV

		$1\text{mA} \leq I_{\text{OUT}} \leq 100\text{mA}$				
Dropout Voltage (Note 3)	$V_{\text{dif1}}$	$I_{\text{OUT}} = 50\text{mA}$		150	170	mV
	$V_{\text{dif2}}$	$I_{\text{OUT}} = 80\text{mA}$		220	240	mV
Supply Current	$I_{\text{SS}}$	$V_{\text{IN}} = V_{\text{OUT}} + 1\text{V}$		5	8	$\mu\text{A}$
Line Regulations	$\frac{\Delta V_{\text{OUT}}}{\Delta V_{\text{IN}} \cdot V_{\text{OUT}}}$	$I_{\text{OUT}} = 10\text{mA}$ $V_{\text{OUT}} + 1\text{V} \leq V_{\text{IN}} \leq 6\text{V}$		0.05	0.2	%/V
Power Supply Ripple Rejection Ratio	PSRR	$V_{\text{IN}} = [V_{\text{OUT}} + 1]\text{V}$ $+1\text{Vp-pAC}$ $I_{\text{OUT}} = 10\text{mA}, f = 1\text{kHz}$		65		dB
Short Circuit Current	$I_{\text{short}}$	$V_{\text{IN}} = V_{\text{OUT}}(\text{T}) + 1\text{V}$ $V_{\text{OUT}} = \text{VSS}$		50	80	mA
Over Current Protection	$I_{\text{limit}}$	$V_{\text{IN}} = V_{\text{OUT}} + 1\text{V}$		310		mA

### ME6216-1.3V

( $V_{\text{IN}} = V_{\text{OUT}} + 1\text{V}, C_{\text{IN}} = C_{\text{OUT}} = 1\mu\text{F}, T_{\text{a}} = 25^{\circ}\text{C}$  Unless otherwise stated)

PARAMETER	SYMBOL	CONDITION	MIX	TYP	MAX	UNIT
Output Voltage	$V_{\text{OUT}}(\text{E})$ (Note 2)	$I_{\text{OUT}} = 10\text{mA},$ $V_{\text{IN}} = V_{\text{OUT}} + 1\text{V}$	$V_{\text{OUT}}(\text{T})$ -0.015	$V_{\text{OUT}}(\text{T})$ (Note 1)	$V_{\text{OUT}}(\text{T})$ +0.015	V
Input Voltage	$V_{\text{IN}}$				6	V
Maximum Output Current	$I_{\text{OUT}}(\text{max})$	$V_{\text{IN}} = V_{\text{OUT}} + 1\text{V}$		250	300	mA
Load Regulation	$\Delta V_{\text{OUT}}$	$V_{\text{IN}} = V_{\text{OUT}} + 1\text{V}$ $1\text{mA} \leq I_{\text{OUT}} \leq 100\text{mA}$		6	10	mV
Dropout Voltage (Note 3)	$V_{\text{dif1}}$	$I_{\text{OUT}} = 50\text{mA}$		160	180	mV
	$V_{\text{dif2}}$	$I_{\text{OUT}} = 80\text{mA}$		250	270	mV
Supply Current	$I_{\text{SS}}$	$V_{\text{IN}} = V_{\text{OUT}} + 1\text{V}$		5	8	$\mu\text{A}$
Line Regulations	$\frac{\Delta V_{\text{OUT}}}{\Delta V_{\text{IN}} \cdot V_{\text{OUT}}}$	$I_{\text{OUT}} = 10\text{mA}$ $V_{\text{OUT}} + 1\text{V} \leq V_{\text{IN}} \leq 6\text{V}$		0.05	0.2	%/V
Power Supply Ripple Rejection Ratio	PSRR	$V_{\text{IN}} = [V_{\text{OUT}} + 1]\text{V}$ $+1\text{Vp-pAC}$ $I_{\text{OUT}} = 10\text{mA}, f = 1\text{kHz}$		65		dB
Short Circuit Current	$I_{\text{short}}$	$V_{\text{IN}} = V_{\text{OUT}}(\text{T}) + 1\text{V}$ $V_{\text{OUT}} = \text{VSS}$		50	80	mA
Over Current Protection	$I_{\text{limit}}$	$V_{\text{IN}} = V_{\text{OUT}} + 1\text{V}$		340		mA

### ME6216-1.5V

( $V_{\text{IN}} = V_{\text{OUT}} + 1\text{V}, C_{\text{IN}} = C_{\text{OUT}} = 1\mu\text{F}, T_{\text{a}} = 25^{\circ}\text{C}$  Unless otherwise stated)

PARAMETER	SYMBOL	CONDITION	MIX	TYP	MAX	UNIT
Output Voltage	$V_{\text{OUT}}(\text{E})$ (Note 2)	$I_{\text{OUT}} = 10\text{mA},$ $V_{\text{IN}} = V_{\text{OUT}} + 1\text{V}$	X 0.99	$V_{\text{OUT}}(\text{T})$ (Note 1)	X 1.01	V

Input Voltage	$V_{IN}$				6	V
Maximum Output Current	$I_{OUT} (max)$	$V_{IN} = V_{OUT} + 1V$		300	350	mA
Load Regulation	$\Delta V_{OUT}$	$V_{IN} = V_{OUT} + 1V$ $1mA \leq I_{OUT} \leq 100mA$		5	10	mV
Dropout Voltage (Note 3)	$V_{dif1}$	$I_{OUT} = 50mA$		120	140	mV
	$V_{dif2}$	$I_{OUT} = 80mA$		190	210	mV
Supply Current	$I_{SS}$	$V_{IN} = V_{OUT} + 1V$		5	8	$\mu A$
Line Regulations	$\frac{\Delta V_{OUT}}{\Delta V_{IN} \cdot V_{OUT}}$	$I_{OUT} = 10mA$ $V_{out} + 1V \leq V_{IN} \leq 6V$		0.05	0.2	%/V
Power Supply Ripple Rejection Ratio	PSRR	$V_{IN} = [V_{OUT} + 1]V$ $+1Vp-pAC$ $I_{OUT} = 10mA, f = 1kHz$		65		dB
Short Circuit Current	$I_{short}$	$V_{IN} = V_{OUT} (T) + 1V$ $V_{OUT} = VSS$		50	80	mA
Over Current Protection	$I_{limit}$	$V_{IN} = V_{OUT} + 1V$		400		mA

## ME6216-1.8V

( $V_{IN} = V_{OUT} + 1V, C_{IN} = C_{OUT} = 1\mu F, T_a = 25^{\circ}C$  Unless otherwise stated)

PARAMETER	SYMBOL	CONDITION	MIX	TYP	MAX	UNIT
Output Voltage	$V_{OUT}(E)$ (Note 2)	$I_{OUT} = 10mA,$ $V_{IN} = V_{OUT} + 1V$	X 0.99	$V_{OUT}(T)$ (Note 1)	X 1.01	V
Input Voltage	$V_{IN}$				6	V
Maximum Output Current	$I_{OUT} (max)$	$V_{IN} = V_{OUT} + 1V$		300	350	mA
Load Regulation	$\Delta V_{OUT}$	$V_{IN} = V_{OUT} + 1V$ $1mA \leq I_{OUT} \leq 100mA$		5	10	mV
Dropout Voltage (Note 3)	$V_{dif1}$	$I_{OUT} = 50mA$		100	120	mV
	$V_{dif2}$	$I_{OUT} = 80mA$		150	170	mV
Supply Current	$I_{SS}$	$V_{IN} = V_{OUT} + 1V$		5	8	$\mu A$
Line Regulations	$\frac{\Delta V_{OUT}}{\Delta V_{IN} \cdot V_{OUT}}$	$I_{OUT} = 10mA$ $V_{out} + 1V \leq V_{IN} \leq 6V$		0.05	0.2	%/V
Power Supply Ripple Rejection Ratio	PSRR	$V_{IN} = [V_{OUT} + 1]V$ $+1Vp-pAC$ $I_{OUT} = 10mA, f = 1kHz$		65		dB
Short Circuit Current	$I_{short}$	$V_{IN} = V_{OUT} (T) + 1V$ $V_{OUT} = VSS$		40	80	mA
Over Current Protection	$I_{limit}$	$V_{IN} = V_{OUT} + 1V$		420		mA

## ME6216-2.5V

( $V_{IN}=V_{OUT}+1V$ ,  $C_{IN}=C_{OUT}=1\mu F$ ,  $T_a=25^{\circ}C$  Unless otherwise stated)

PARAMETER	SYMBOL	CONDITION	MIX	TYP	MAX	UNIT
Output Voltage	$V_{OUT(E)}$ (Note 2)	$I_{OUT}=10mA$ , $V_{IN}=V_{OUT}+1V$	X 0.99	$V_{OUT(T)}$ (Note 1)	X 1.01	V
Input Voltage	$V_{IN}$				6	V
Maximum Output Current	$I_{OUT} (max)$	$V_{IN}= V_{OUT} +1V$		260	300	mA
Load Regulation	$\Delta V_{OUT}$	$V_{IN}= V_{OUT} +1V$ $1mA \leq I_{OUT} \leq 100mA$		9	18	mV
Dropout Voltage (Note 3)	$V_{dif1}$	$I_{OUT} =80mA$		100	120	mV
	$V_{dif2}$	$I_{OUT} =200mA$		260	280	mV
Supply Current	$I_{SS}$	$V_{IN}= V_{OUT} +1V$		5	8	$\mu A$
Line Regulations	$\frac{\Delta V_{OUT}}{\Delta V_{IN} \cdot V_{OUT}}$	$I_{OUT} =10mA$ $V_{out}+1V \leq V_{IN} \leq 6V$		0.05	0.2	%/V
Power Supply Ripple Rejection Ratio	PSRR	$V_{IN} = [V_{OUT} +1]V$ $+1Vp-pAC$ $I_{OUT} =10mA, f=1kHz$		65		dB
Short Circuit Current	$I_{short}$	$V_{IN} = V_{OUT} (T)+1V$ $V_{OUT} =VSS$		40	80	mA
Over Current Protection	$I_{limit}$	$V_{IN}= V_{OUT} +1V$		420		mA

## ME6216-3.0V

( $V_{IN}=V_{OUT}+1V$ ,  $C_{IN}=C_{OUT}=1\mu F$ ,  $T_a=25^{\circ}C$  Unless otherwise stated)

PARAMETER	SYMBOL	CONDITION	MIX	TYP	MAX	UNIT
Output Voltage	$V_{OUT(E)}$ (Note 2)	$I_{OUT}=10mA$ , $V_{IN}=V_{OUT}+1V$	X 0.99	$V_{OUT(T)}$ (Note 1)	X 1.01	V
Input Voltage	$V_{IN}$				6	V
Maximum Output Current	$I_{OUT} (max)$	$V_{IN}= V_{OUT} +1V$		300	350	mA
Load Regulation	$\Delta V_{OUT}$	$V_{IN}= V_{OUT} +1V$ $1mA \leq I_{OUT} \leq 100mA$		10	18	mV
Dropout Voltage (Note 3)	$V_{dif1}$	$I_{OUT} =80mA$		90	110	mV
	$V_{dif2}$	$I_{OUT} =200mA$		220	240	mV
Supply Current	$I_{SS}$	$V_{IN}= V_{OUT} +1V$		5	8	$\mu A$
Line Regulations	$\frac{\Delta V_{OUT}}{\Delta V_{IN} \cdot V_{OUT}}$	$I_{OUT} =10mA$ $V_{out}+1V \leq V_{IN} \leq 6V$		0.05	0.2	%/V
Power Supply Ripple Rejection Ratio	PSRR	$V_{IN} = [V_{OUT} +1]V$ $+1Vp-pAC$ $I_{OUT} =10mA, f=1kHz$		65		dB

Short Circuit Current	$I_{short}$	$V_{IN} = V_{OUT}(T)+1V$ $V_{OUT} = V_{SS}$		40	80	mA
Over Current Protection	$I_{limit}$	$V_{IN} = V_{OUT} + 1V$		450		mA

### ME6216-3.3V

( $V_{IN}=V_{OUT}+1V, C_{IN}=C_{OUT}=1\mu F, T_a=25^{\circ}C$  Unless otherwise stated)

PARAMETER	SYMBOL	CONDITION	MIX	TYP	MAX	UNIT
Output Voltage	$V_{OUT}(E)$ (Note 2)	$I_{OUT}=10mA,$ $V_{IN}=V_{OUT}+1V$	X 0.99	$V_{OUT}(T)$ (Note 1)	X 1.01	V
Input Voltage	$V_{IN}$				6	V
Maximum Output Current	$I_{OUT} (max)$	$V_{IN}= V_{OUT} + 1V$		300	350	mA
Load Regulation	$\Delta V_{OUT}$	$V_{IN}= V_{OUT} + 1V$ $1mA \leq I_{OUT} \leq 100mA$		10	18	mV
Dropout Voltage (Note 3)	$V_{dif1}$	$I_{OUT} = 80mA$		80	100	mV
	$V_{dif2}$	$I_{OUT} = 200mA$		220	240	mV
Supply Current	$I_{SS}$	$V_{IN}= V_{OUT} + 1V$		6	8	$\mu A$
Line Regulations	$\frac{\Delta V_{OUT}}{\Delta V_{IN} \cdot V_{OUT}}$	$I_{OUT} = 10mA$ $V_{out}+1V \leq V_{IN} \leq 6V$		0.07	0.2	%/V
Power Supply Ripple Rejection Ratio	PSRR	$V_{IN} = [V_{OUT} + 1]V$ $+1V_{p-pAC}$ $I_{OUT} = 10mA, f=1kHz$		65		dB
Short Circuit Current	$I_{short}$	$V_{IN} = V_{OUT}(T)+1V$ $V_{OUT} = V_{SS}$		40	80	mA
Over Current Protection	$I_{limit}$	$V_{IN}= V_{OUT} + 1V$		450		mA

### ME6216-5.0V

( $V_{IN}=V_{OUT}+1V, C_{IN}=C_{OUT}=1\mu F, T_a=25^{\circ}C$  Unless otherwise stated)

PARAMETER	SYMBOL	CONDITION	MIX	TYP	MAX	UNIT
Output Voltage	$V_{OUT}(E)$ (Note 2)	$I_{OUT}=10mA,$ $V_{IN}=V_{OUT}+1V$	X 0.99	$V_{OUT}(T)$ (Note 1)	X 1.01	V
Input Voltage	$V_{IN}$				6	V
Maximum Output Current	$I_{OUT} (max)$	$V_{IN}= V_{OUT} + 1V$		300	400	mA
Load Regulation	$\Delta V_{OUT}$	$V_{IN}= V_{OUT} + 1V$ $1mA \leq I_{OUT} \leq 100mA$		10	18	mV
Dropout Voltage (Note 3)	$V_{dif1}$	$I_{OUT} = 80mA$		65	80	mV
	$V_{dif2}$	$I_{OUT} = 200mA$		160	180	mV
Supply Current	$I_{SS}$	$V_{IN}= V_{OUT} + 1V$		5	8	$\mu A$
Line Regulations	$\frac{\Delta V_{OUT}}{\Delta V_{IN} \cdot V_{OUT}}$	$I_{OUT} = 10mA$ $V_{out}+1V \leq V_{IN} \leq 6V$		0.05	0.2	%/V

Power Supply Ripple Rejection Ratio	PSRR	$V_{IN} = [V_{OUT} + 1]V$ $+1V_{p-pAC}$ $I_{OUT} = 10mA, f = 1kHz$		65		dB
Short Circuit Current	$I_{short}$	$V_{IN} = V_{OUT(T)} + 1V$ $V_{OUT} = VSS$		40	80	mA
Over Current Protection	$I_{limit}$	$V_{IN} = V_{OUT} + 1V$		550		mA

**Note :**

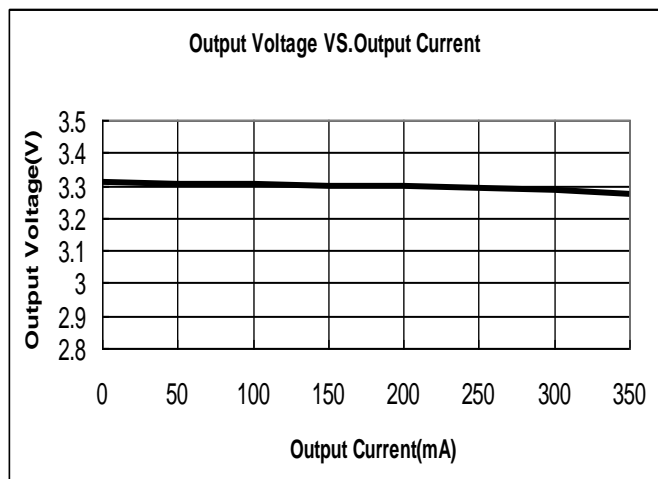
1.  $V_{OUT(T)}$  : Specified Output Voltage
2.  $V_{OUT(E)}$  : Effective Output Voltage ( i.e. The output voltage when " $V_{OUT(T)} + 1.0V$ " is provided at the Vin pin while maintaining a certain  $I_{OUT}$  value.)
3.  $V_{dif}$  :  $V_{IN1} - V_{OUT(E)}$   
 $V_{IN1}$  : The input voltage when  $V_{OUT(E)}$  appears as input voltage is gradually decreased.  
 $V_{OUT(E)}$  = A voltage equal to 98% of the output voltage whenever an amply stabilized  $I_{OUT} \{V_{OUT(T)} + 1.0V\}$  is input.



**Type Characteristics ( ME6216A33 )**

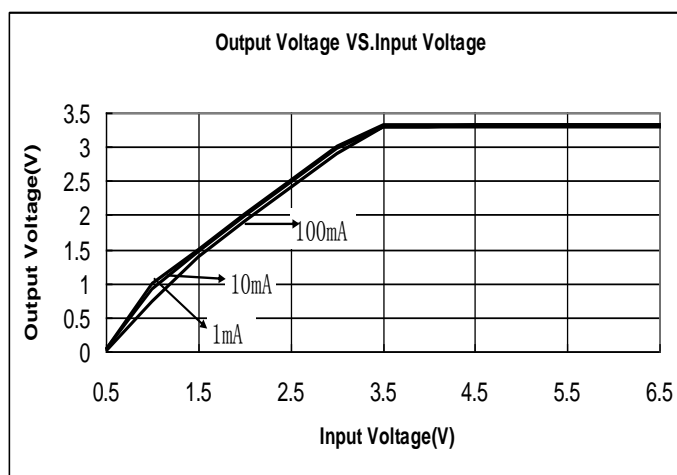
(1) Output Voltage VS. Output Current

( $V_{IN}=V_{OUT}+1$ ,  $T_a = 25\text{ }^\circ\text{C}$ )



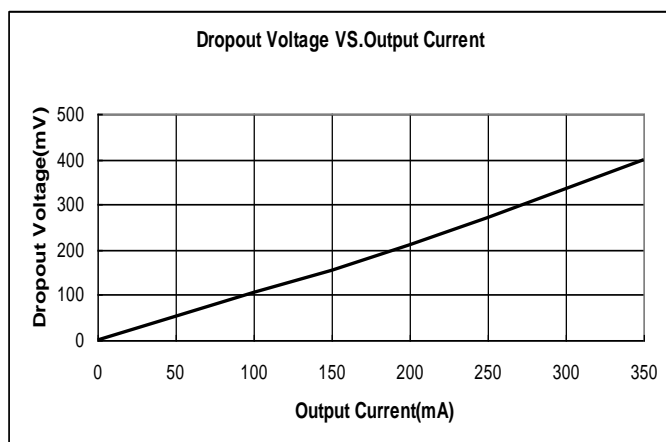
(2) Output Voltage VS. Input Voltage

( $T_a = 25\text{ }^\circ\text{C}$ )



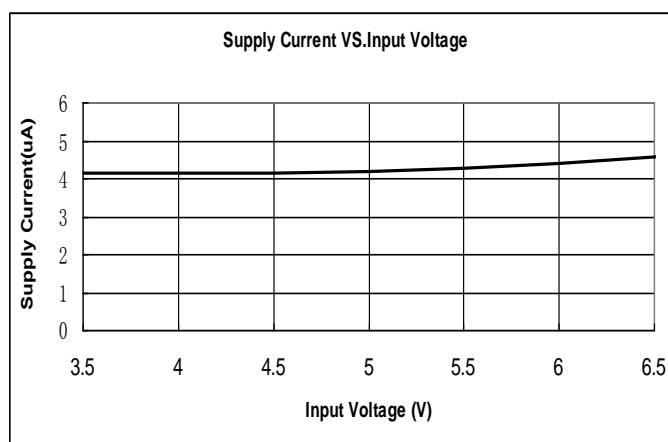
(3) Dropout Voltage VS. Output Current

( $V_{IN}=V_{OUT}+1V$ ,  $T_a = 25\text{ }^\circ\text{C}$ )

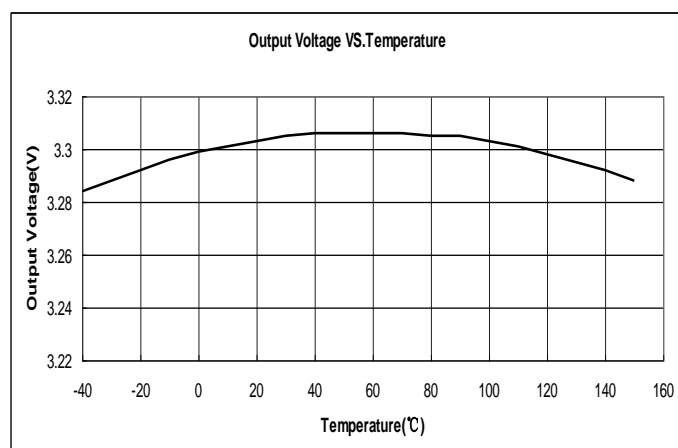


(4) Supply Current VS. Input Voltage

( $T_a = 25\text{ }^\circ\text{C}$ )

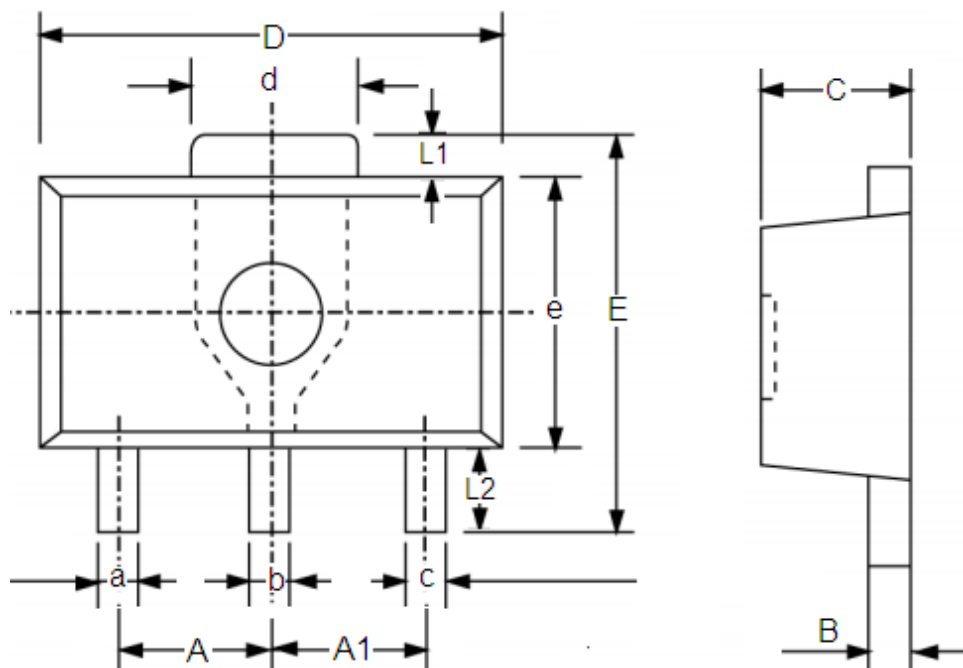


(5) Output Voltage VS. Temperature ( $V_{IN}=V_{OUT}+1V$ ,  $I_{OUT} = 10mA$ )



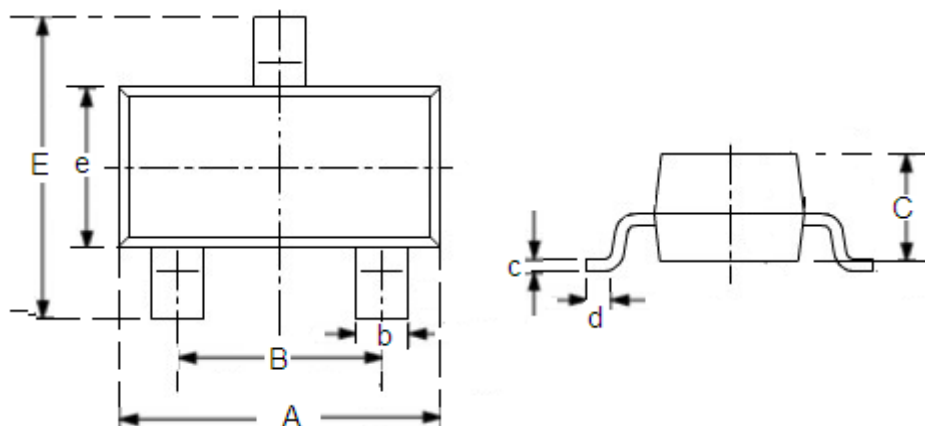
Packaging Information

● SOT89-3



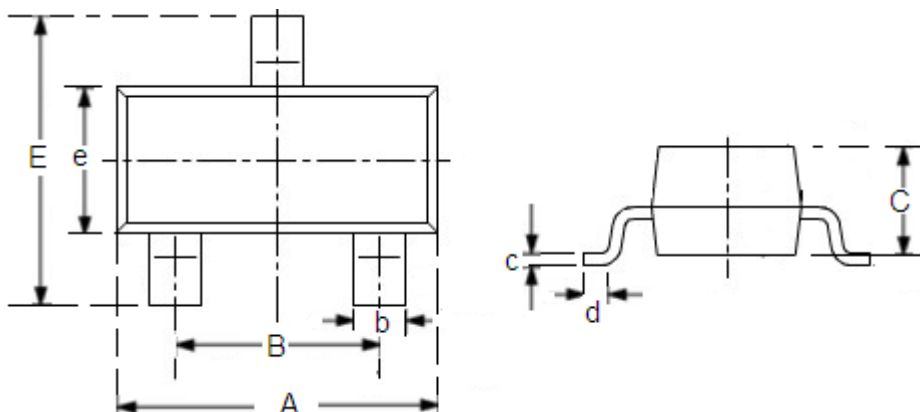
DIM	Millimeters		Inches	
	Min	Max	Min	Max
A	1.4	1.6	0.0551	0.0630
A1	1.4	1.6	0.0551	0.0630
a	0.36	0.48	0.0142	0.0189
b	0.41	0.53	0.0161	0.0209
c	0.36	0.48	0.0142	0.0189
d	1.4	1.75	0.0551	0.0689
B	0.38	0.43	0.015	0.0169
C	1.4	1.6	0.0551	0.0630
D	4.4	4.6	0.1732	0.181
E	-	4.25	-	0.1673
e	2.4	2.6	0.0945	0.1023
L1	0.4	-	0.0157	-
L2	0.8	-	0.0315	-

● SOT23-3



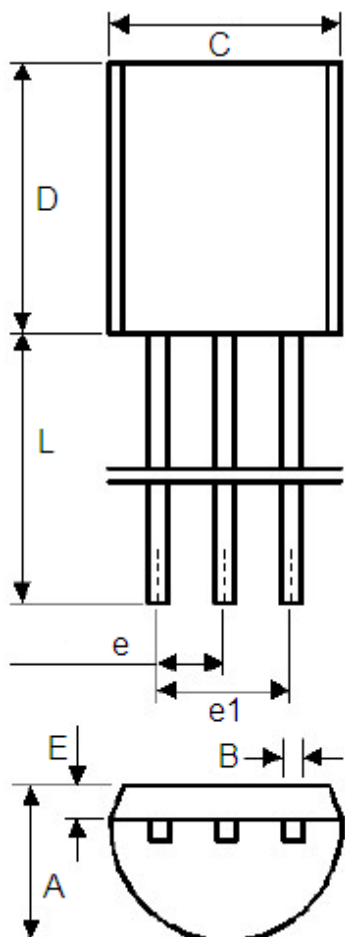
DIM	Millimeters		Inches	
	Min	Max	Min	Max
A	2.7	3.1	0.1063	0.122
B	1.7	2.1	0.0669	0.0827
b	0.35	0.5	0.0138	0.0197
C	1.0	1.2	0.0394	0.0472
c	0.1	0.25	0.0039	0.0098
d	0.2	-	0.0079	-
E	2.6	3.0	0.1023	0.1181
e	1.5	1.8	0.059	0.0708

● SOT23



DIM	Millimeters		Inches	
	Min	Max	Min	Max
A	2.7	3.1	0.1063	0.122
B	1.7	2.1	0.0669	0.0827
b	0.35	0.5	0.0138	0.0197
C	1.0	1.2	0.0394	0.0472
c	0.1	0.25	0.0039	0.0098
d	0.2	-	0.0079	-
E	2.1	2.64	0.0827	0.1039
e	1.2	1.4	0.0472	0.0551

● TO-92



	Min	Max	Min	Max
A	3.4	3.8	0.13386	0.1496
B	0.3	0.5	0.0118	0.0197
C	4.4	4.8	0.1732	0.189
D	4.4	4.8	0.1732	0.189
E	0.9	1.5	0.0354	0.059
e	1.17	1.37	0.046	0.0539
e1	2.39	2.69	0.094	0.1059
L	12	16	0.4724	0.6299

- The information described herein is subject to change without notice.
- Nanjing Micro One Electronics Inc is not responsible for any problems caused by circuits or diagrams described herein whose related industrial properties, patents, or other rights belong to third parties. The application circuit examples explain typical applications of the products, and do not guarantee the success of any specific mass-production design.
- Use of the information described herein for other purposes and/or reproduction or copying without the express permission of Nanjing Micro One Electronics Inc is strictly prohibited.
- The products described herein cannot be used as part of any device or equipment affecting the human body, such as exercise equipment, medical equipment, security systems, gas equipment, or any apparatus installed in airplanes and other vehicles, without prior written permission of Nanjing Micro One Electronics Inc.
- Although Nanjing Micro One Electronics Inc exerts the greatest possible effort to ensure high quality and reliability, the failure or malfunction of semiconductor products may occur. The user of these products should therefore give thorough consideration to safety design, including redundancy, fire-prevention measures, and malfunction prevention, to prevent any accidents, fires, or community damage that may ensue.