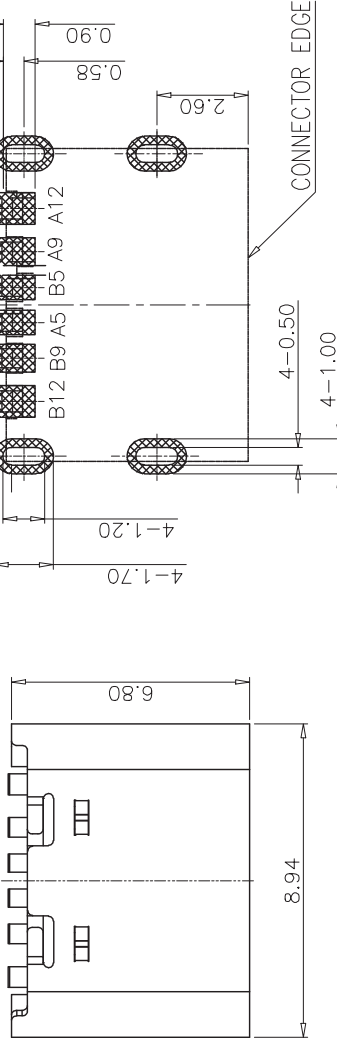
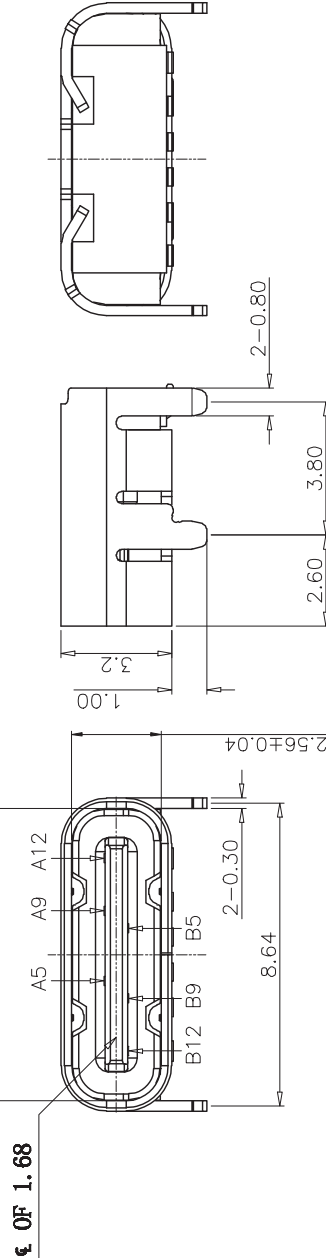


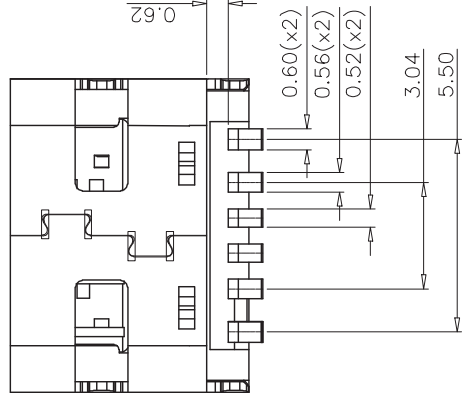
Rev No.	Description of Revision	Date	Name	Approved	ECN No.
X					



RECOMMENDED PCB LAYOUT(TOP VIEW)  
THICKNESS 1.6±0.10MM;DEFAULT TOLERANCE:±0.05



OF 1.68



PIN ASSIGNMENTS

PIN	SIGNAL NAME	PIN	SIGNAL NAME
A5	CC1	B12	GND
A9	VBUS	B9	VBUS
A12	GND	B5	CC2

UNLESS OTHERWISE SPECIFIED TOLERANCES

DECIMALS:	ANGLES	TITLE	TYPE-C	6Pin	板上型	6.80mm	
X.	±0.20	X'.	±2'	DrdWth	JACK.LI	PART NO.	USB-TYPE-C-009
X.X	±0.15	X.X'	±1'	Checked	PETER.LIU	SCALE	1:8
X.XX	±0.10	X.XX'	±0.5'	Approved	JACK.D	SIZE	A4
XXX	±0.05					SHEET	1 of 1

- NOTE:
- MATERIAL SPECIFICATION:
    - HOUSING:HIGH TEMPERATURE RESISTANT PLASTIC,UL94 V-0.
    - CONTACTS:COPPER ALLOY
    - MID PLATE: STAINLESS STEEL
    - FRONT SHELL: STAINLESS STEEL
  - PLATING SPECIFICATION:
    - CONTACTS: Ni 50u" MIN. UNDER PLATED OVER ALL. Au PLATED ON THE FUNCTIONAL AREA OF CONTACT. (GOLD PLATING THICKNESS FOLLOW THE P/N)
    - FRONT SHELL: PLATING SPECIFICATIONS OF THE SOLDER AREA FOLLOW THE P/N
    - SEE TABLE1.
    - SHIELD PLATE&EMI PLATE: CLEAR ONLY
  - MECHANICAL PERFORMANCE.
    - INSERTION FORCE: 0.5~2.0kgf.
    - REMOVAL FORCE: 0.8kgf~2.0kgf.
    - DURABILITY: 10000 CYCLES.
  - ELECTRICAL PERFORMANCE.
    - CURRENT RATING:5.0A VOLTAGE RATING:5.0V
    - LLCR: VBUS & GND PINS AND OTHER PINS: 40mΩ/PIN MAX. SHIELD: 50mΩ/MAX. LLCR MAX. CHANGE OF ALL PINS: 10mΩ.
    - INSULATION RESISTANCE: 100MΩ MIN
    - DIELECTRIC WITHSTAND VOLTAGE:AC 100V FOR 1 MINUTE.
  - ENVIRONMENTAL PERFORMANCE:
    - OPERATING TEMPERATURE: -25°C~+85°C.
    - IR REFLOW: THE PEAK TEMPERATURE ON THE BOARD SHALL BE MAINTAINED FOR 10 SECONDS AT 260°C.