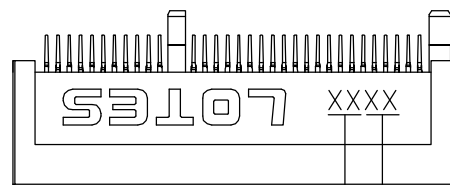
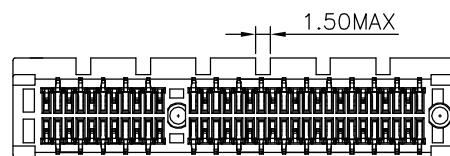
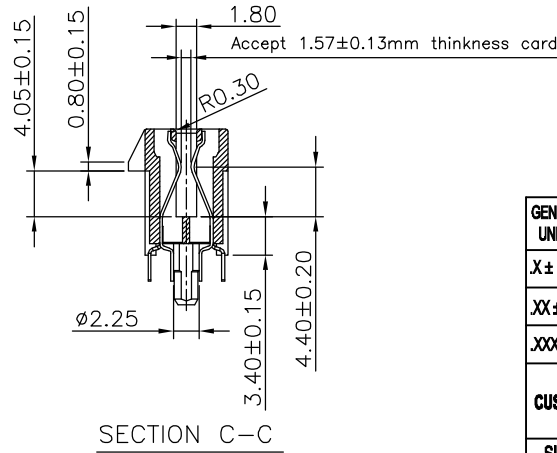
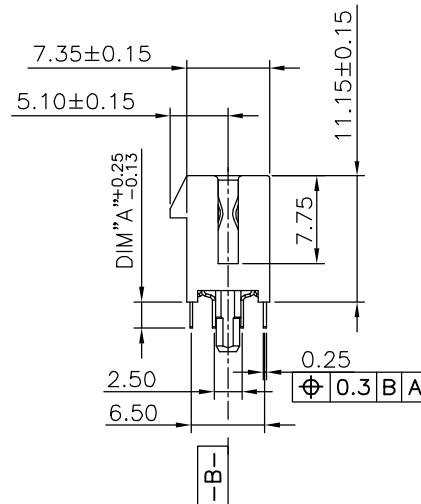
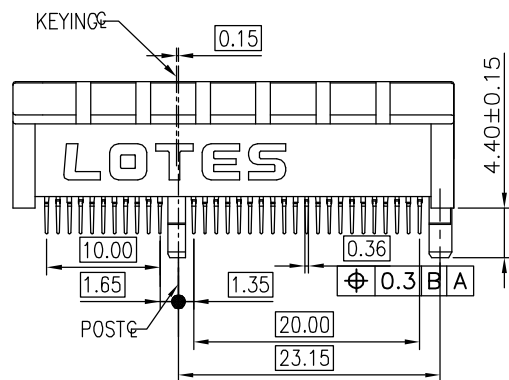
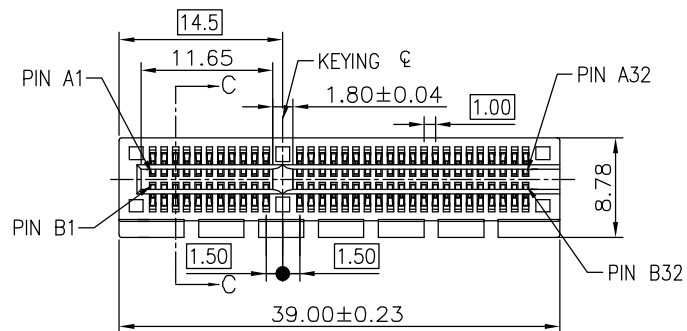
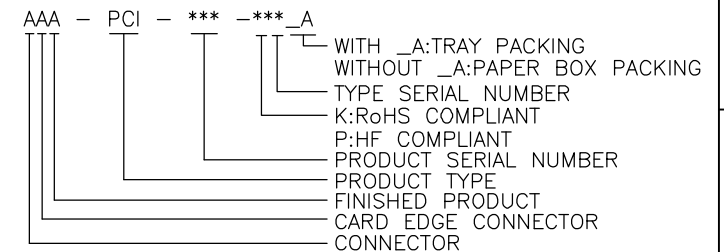


REV.	ECN NO./DESCRIPTION	DATE
1A	R150179	05/08'15

NOTES:

- MATERIAL:
HOUSING: HIGH TEMPERATURE THERMOPLASTIC.
(DETAILS REFER TO TABLE)
TERMINAL: PHOSPHOR BRONZE C5191 OR BRASS C2680.
- FINISH:
TERMINAL: 50u" NI PLATING OVER ALL;
100u" MATTE Sn PLATING ON SOLDER TAIL;
Au PLATING ON CONTACT AREA.
- MECHANICAL SPEC:
DURABILITY: 50 CYCLES.
RETENTION FORCE: 0.40 kgf MIN PER PIN.
MATING FORCE: 1.15N MAX PER PAIR.
UNMATING FORCE: 0.15N MIN PER PAIR.
- ELECTRICAL SPEC:
CURRENT RATING: 1.1A.
CONTACT RESISTANCE: 30 MILLIOHMS MAX. INITIAL.
INSULATION RESISTANCE: 1000 MEGOHMS MIN.
DIELECTRIC WITHSTANDING VOLTAGE: 500V AC MIN.
- WAVE SOLDERING:
THE CONNECTOR SHALL BE MOUNTED ON THE PCB,
THE TEMPERATURE OF THE SOLDER SHALL BE
260±5°C AND IMMERSION DURATION 10±2 SECONDS.
- RoHS COMPLIANT OR HF COMPLIANT.

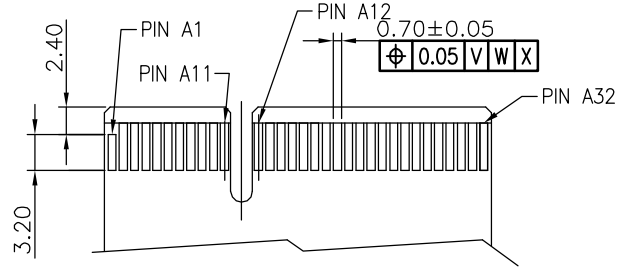
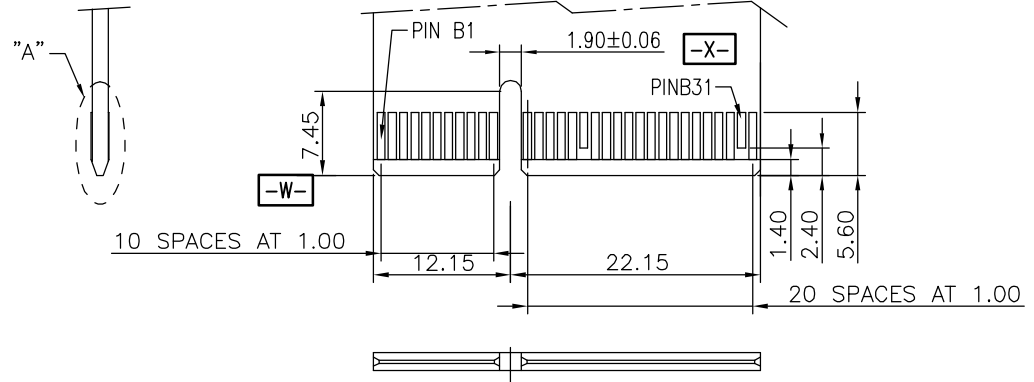
7.PRODUCT NUMBER NOTE:



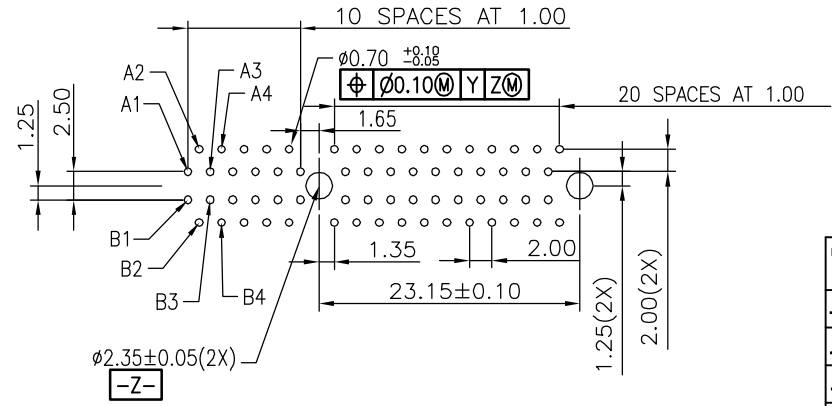
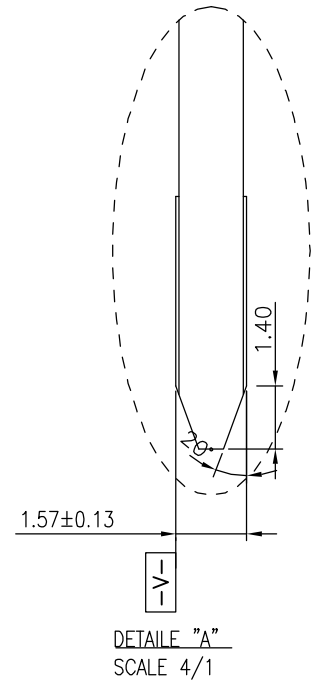
DATE CODE: WEEK YEAR

GENERAL TOLERANCES UNLESS SPECIFIED		PART NO.	LOTES		
X± 0.35	X°± 3°	AAA-PCI-161-K03	TITLE		
XX± 0.25	X°± 2°	APPROVED BY	64PIN PCI-EXPRESS CONNECTOR		
XXX± 0.15	XX°± 1°	BILL05/08'15	DWG NO.		
CUSTOMER DRAWING		CHECKED BY	GAP-AAA-PCI-161-K		
SIZE		zhangbiao 05/08'15	DRAWN BY		
A4	UNITS	maiyingkai 05/08'15	SHEET		
MM[INCH]	SCALE	1 / 2	REV		
			3:2		
			1A		

REV.	ECN NO./DESCRIPTION	DATE
1A	R150179	05/08'15



ADD-IN CARD EGDE-FINGER DIMENSIONS
DEFAULT TOLERANCE ±0.05.



RECOMMENDED FOOTPRINT(TOP VIEW)
DEFAULT TOLERANCE ±0.05.

GENERAL TOLERANCES UNLESS SPECIFIED		PART NO.	LOTES		
X± 0.35	X°± 3°	AAA-PCI-161-K03	TITLE 64PIN PCI-EXPRESS CONNECTOR		
XX± 0.25	X°± 2°	APPROVED BY BILL 05/08'15	DWG NO. GAP-AAA-PCI-161-K		
XXX± 0.15	XX°± 1°	CHECKED BY zhangbiao 05/08'15	DRAWN BY maiyingkai 05/08'15		
SIZE	UNITS	DRAWN BY maiyingkai 05/08'15	SHEET 2 / 2	SCALE 3:2	REV 1A
A4	MM[INCH]				

