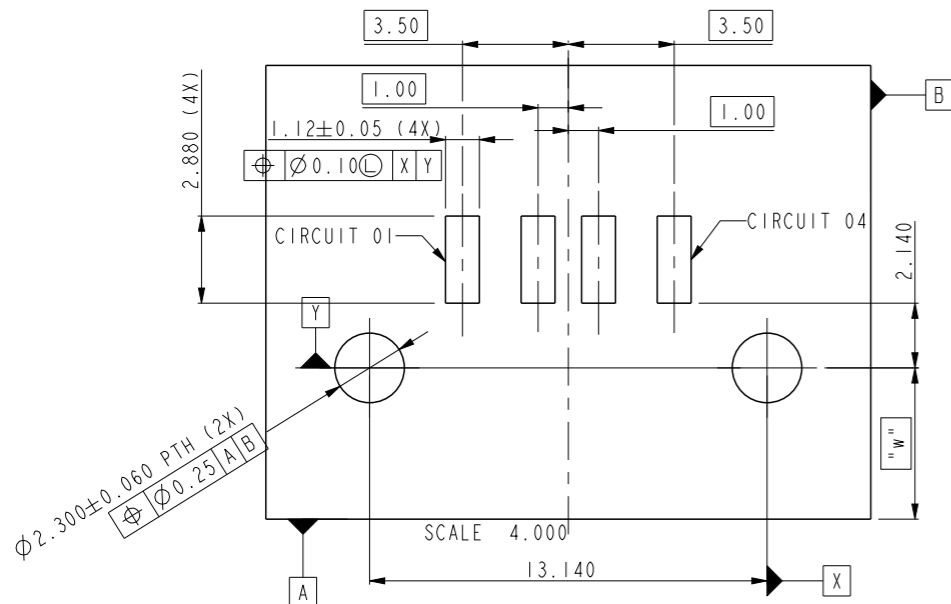


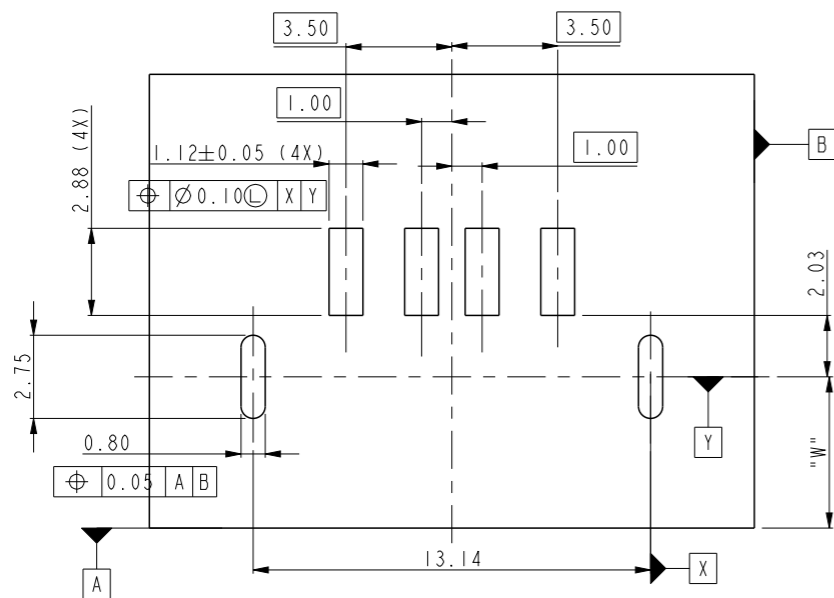
NOTES:

1. MATERIAL:
TERMINAL: COPPER ALLOY
SHELL: COPPER ALLOY
HOUSING: THERMOPLASTIC, UL94 V-0;
2. PLATING: SEE PART NUMBER CODE;
3. DATUM AND BASIC DIMENSIONS ESTABLISHED BY CUTOMER;
4. RECOMMENDED PCB THICKNESS IS 1.57MM;
5. 2.67MM MAXIMUM PANEL THICKNESS IF MOUNTED BEHIND PANEL;
6. PRODUCT SPECIFICATION: GS-12-095;
7. PACKAGE SPECIFICATION: GS-14-393;
8. COMPLIED WITH USB 2.0 AND TID NUMBER 60000205;
9. 87583-3010XXX DURABILITY MEET 9,000 CYCLES,
AND THE OTHER PART MEET USB 2.0 1,500 CYCLES;
(TO BE CONTINUED ON PAGE 3)

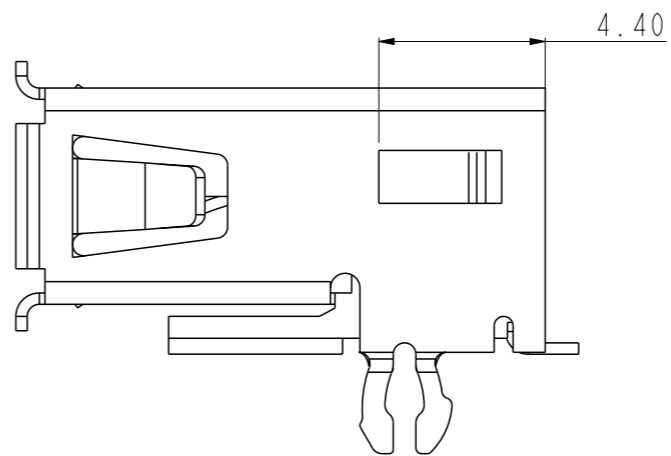
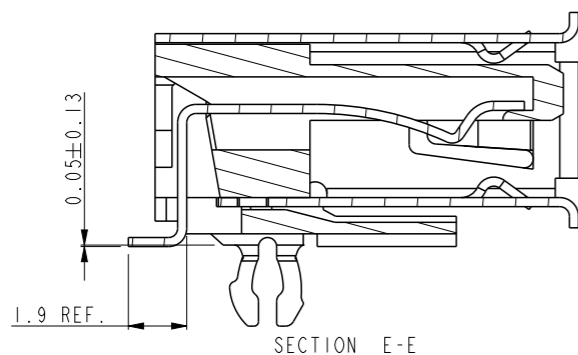
spec ref		dr Keen Wu		2010/11/04		projection		size A4		scale 4.000	
tolerance std		eng Li-Qing Lei		2021/11/12				MM		ecn no ELX-N-42916-1	
TOLERANCES UNLESS OTHERWISE SPECIFIED		chr -		-						rel level Released	
surface		appr Tim Yao		2021/11/16		product family		rev		87583	
linear		0.X		±0.30		Amphenol FCi		title UNIV. SERIAL BUS S.M. RECEPTACLE		dwg no 87583 rev AD	
		0.XX		±0.20							
		0.XXX		±0.10							
angular		0°		±2°		cat. no.		Product - Customer Drw		sheet 1 of 3	



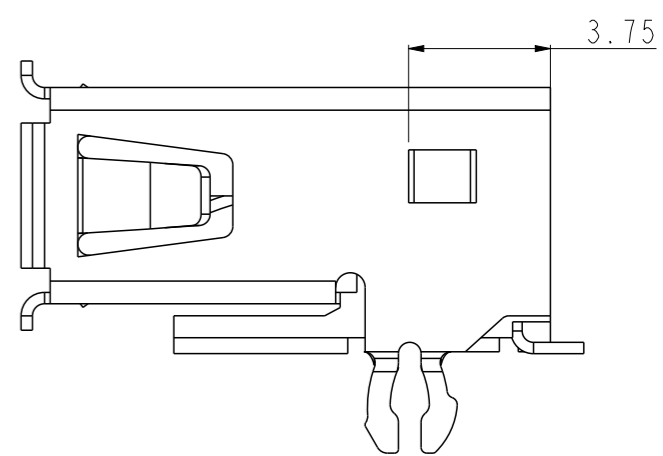
RECOMMENDED PCB LAYOUT 1
COMPONENT SIDE
TOLERANCE: ±0.05



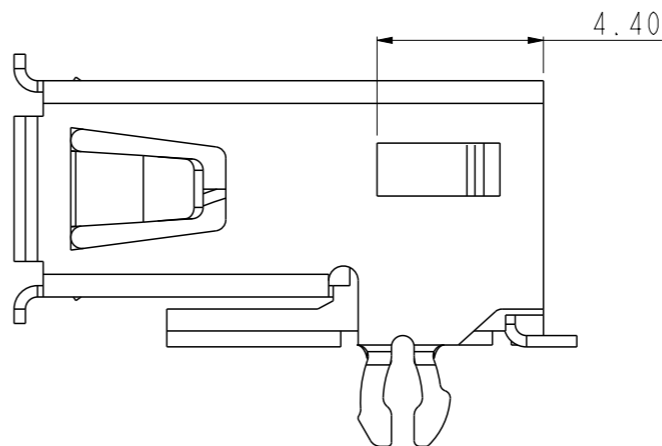
RECOMMENDED PCB LAYOUT 2
(ZERO RETENTION FORCE BETWEEN SHELL AND LAYOUT)
COMPONENT SIDE
TOLERANCE: ±0.05



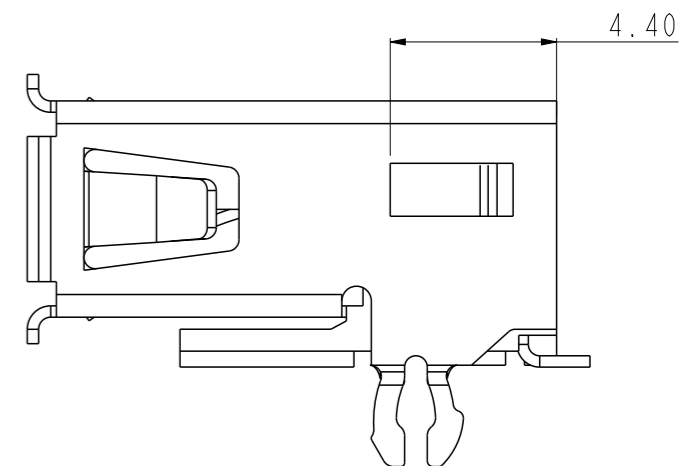
P/N: 87583-1010XXX AND 87583-0010XXX
MEET DURABILITY 1,500 CYCLES



P/N: 87583-2010XXX
MEET DURABILITY 1,500 CYCLES



P/N: 87583-3010XXX
MEET DURABILITY 9,000 CYCLES



P/N: 87583-S010XXX
MEET DURABILITY 12,000 CYCLES

spec ref	dr Keen Wu			2010/11/04	projection	MM		size	A3	scale	4.000		
tolerance std	TOLERANCES UNLESS OTHERWISE SPECIFIED			eng LI-Qing Lei	2021/11/12		ecn no		ELX-N-42916-1				
surface	linear	0.X	±0.30	chr -	-		rel level		Released				
		0.XX	±0.20	appr Tim Yao	2021/11/16	product family	UNIV. SERIAL BUS S.M.		dwg no	87583		rev	AD
	angular	0°	±2°	cat. no.			Product - Customer Drw		sheet 2 of 3				

PRODUCT NUMBER CODE

87583 - X X X X X P X LF

BASE PRODUCT NUMBER

HOUSING COLOR OPTIONS

- 0- WHITE+TIN OVER NICKLE UNDERPLATE
- 1- BLACK+TIN OVER NICKLE UNDERPLATE
- 2 - WHITE+SHELL Ni PLATING ONLY
- 3 - BLACK+SHELL Ni PLATING ONLY
- S - BLACK+SHELL Ni PLATING ONLY (SPECIAL MATERIAL FOR 12,000 DURABILITY CYCLES)

SHELL OPTION

- 0 - NO BACK SHIELD

MOUNTING HOLE OPTIONS

- 1 - NONE

TERMINAL PLATING OPTION

- 0 - 50u" Ni UNDERPLATE
- 30u" GXT CONTACT AREA
- 100u" TIN TAIL AREA

PACKAGING OPTIONS

- B - TUBES
- R - TAPE & REEL

DATE CODE

- A FOR AUTOMOTIVE APPLICATION
- H FOR HPO SMT

LEAD FREE OPTION

AVAILABLE P/N LIST	
87583-0010BHLF	
87583-0010BLF	OB
87583-0010RLF	OB
87583-1010BLF	OB
87583-1010RPALF	
87583-1010RPLF	OB
87583-2010BLF	
87583-2010BPLF	
87583-2010RLF	
87583-2010RPLF	
87583-3010BLF	
87583-3010BPLF	
87583-3010RPALF	
87583-3010RPLF	
87583-S010XPLF	

Amphenol FCI

© 2020 Amphenol Corporation

(CONTINUE)

- 9. P/N'S WITH SUFFIX "LF" ARE LEAD FREE P/N'S
- 10. FOR LEAD FREE P/N, THE PRODUCT MEET EUROPEAN UNION DIRECTIVES AND OTHER COUNTRY REGULATION AS DESCRIBED IN GS-22-008
- 11. THE HOUSING WILL WITHSTAND EXPOSURE TO 260°C PEAK TEMPERATURE FOR 40 SECONDS IN A CONVECTION, INFRO-RED OR VAPOR PHASE REFLOW OVEN.
- 12. FOR AUTOMOTIVE APPLICATION: ALL THE TOLERANCES ".XX" ARE ±0.10 UNLESS OTHER SPECIAL NOTIFICATION



dr	Keen Wu	2010/11/04	projection 	MM 	size	A4	scale	4.000
eng	Li-Qing Lei	2021/11/12			ecn no	ELX-N-42916-1		
chr	-	-			rel level	Released		
appr	Tim Yao	2021/11/16	product family		rev		87583	
Amphenol FCI		title			UNIV. SERIAL BUS S.M.		dwg no	
		RECEPTACLE					AD	
cat. no.		Product - Customer Drw			sheet 3 of 3			