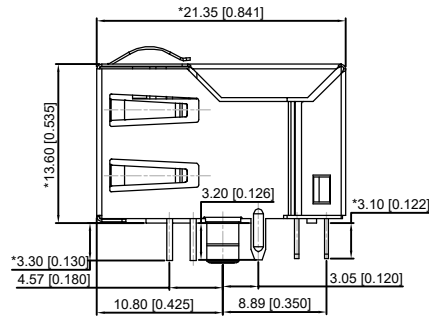
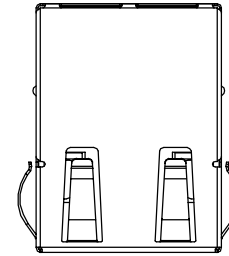


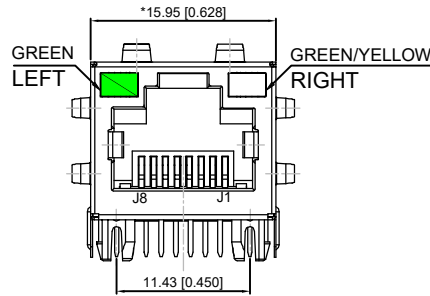
LEFT SIDE VIEW



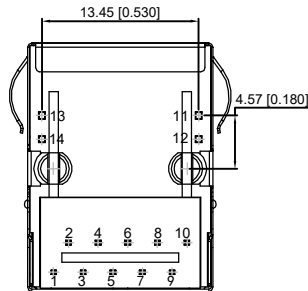
RIGHT SIDE VIEW



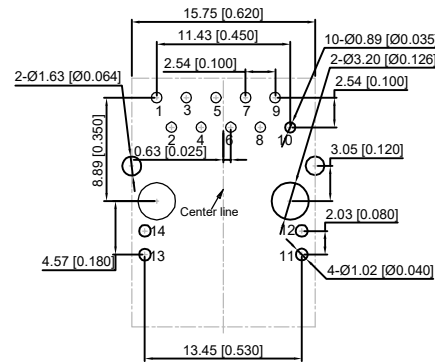
TOP VIEW



FRONT VIEW

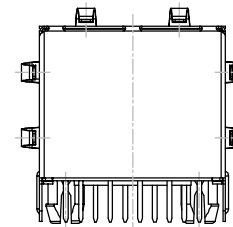


BOTTOM VIEW



RECOMMENDED PCB LAYOUT VIEWED FROM COMPONENT SIDE

XKB Connectivity



BACK VIEW

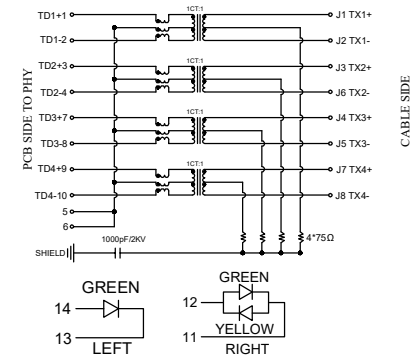
XKB Connectivity

Electrical 电气:

- Turn ratio 匝数比: 1~2: J1~J2=1CT:1CT(±2%)
3~4: J3~J6=1CT:1CT(±2%)
7~8: J4~J5=1CT:1CT(±2%)
9~10: J7~J8=1CT:1CT(±2%)
- OCL: 350uH Min. at 100KHz 100mV 8mA DC.
- Insertion Loss 插入损耗: -1.0 dB Max 1~100MHz.
- Return loss 回波损耗: -18dB Min 1~30MHz.
-14dB Min 30~60MHz.
-12dB Min 60~80MHz.
-10dB Min 80~100MHz.
- Cross talk: -40dB Min 1~30MHz;
-35dB Min 30~60MHz;
-30dB Min 60~100MHz;
- CMR: -30dB Min 1~100MHz;
- Hi-Pot: 2250V DC 6S 1mA PRI TO SEC.

LED Specification

Standard LED Color	LED Wavelength	Forward I	Forward V _f
Green	568nm	20mA	1.85-2.45V
Yellow	585nm	20mA	1.7-2.2V



XKB Connectivity

MATERIAL 材料:

- HOUSING 外壳: PBT, UL94V-0, BLACK.
- TERMINALS BRACKET 端子支架: PBT, UL94V-0, BLACK.
- SHIELD 保护物: C2680, T=0.20MM, NICKEL PLATING ON ALL AREA.
- TERMINAL 端子: PHOSPHOR BRONZE C5210, T=0.35MM, GOLD PLATING ON CONTACT AREA.

MECHANICAL 机械:

- DURABILITY 耐用性: 750 CYCLES MIN.
- MATING FORCE 配合力: 23N MAX.
- OPERATING TEMPERATURE 工作温度: -40°C~+85°C.
- STORAGE TEMPERATURE 储存温度: -40°C~+85°C.
- ALL CRITICAL DIMENSIONS WITH "M"

REVISIONS					UNSPECIFIED TOLERANCES		DSND	DATE	SCALE: N/A	MODEL TYPE: RJ JACK	
ΔX					ANGLAR	±5°	DWN	DATE	VIEW:	PART NO.:	
ΔX					L ≤ 4	±0.2	CHKD	DATE	UNIT: mm/in	DWG NO.:	
ΔX					4 < L ≤ 16	±0.3	APPD	DATE	SIZE: A4	X02AQ010FE3DDZ	
MARK	DESCRIPTION	DATE	REVISED	APPROVED	16 < L ≤ 63	±0.4				WEIGHT	
					L > 63	±0.5	XKB INDUSTRIAL PRECISION CO., LIMITED			1.0g	
											SHEET
											1/1
											REVISION
											A0