



EVERLIGHT ELECTRONICS CO.,LTD.

DEVICE NUMBER : DLE-952-144 REV : 1.1
ECN : _____ PAGE : 1/5

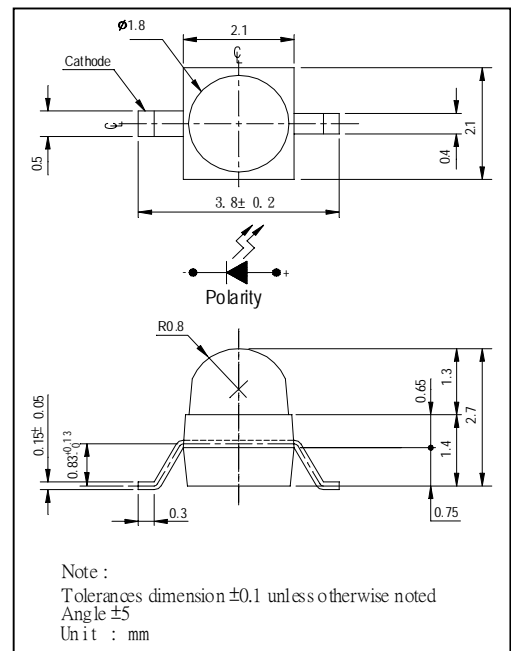
1.8mm Round Subminiature "Gull Wing" Lead (Square Base) LEDs

PART NO. : 95-21UYC/S530-A2/TR7

Features :

- Compatible with automatic placement equipment.
- Compatible with infrared and vapor phase reflow solder process.
- IC compatible.
- EIA std package.
- Mono-color type.

Package Dimensions :



Descriptions :

- The 95-21 SMD taping is much smaller than lead frame type components. Thusenable smaller board size. Higher packing density. Reduced storage space and finally smaller equipment to be obtained.
- Besides, light weight makes them ideal for miniature applications, etc.
- Furthermore by automation assembly machines the accuracy is anticipated.

Applications :

- Small indicator for outdoor applications.
- Flat backlight for LCD, switches and symbols.
- Indicator and backlight in office equipment.
- Indicator and backlight for battery driven equipment.
- Indicator and backlight for audio and video equipment.
- Automotive : backlighting in dashboards and switches.
- Telecommunication : indicator and backlighting in telephone and fax.
- General use.

PART NO.	Chip		Lens Color
	Material	Emitted Color	
95-21UYC/S530-A2/TR7	AlGaInP	Super Yellow	Water Clear

OFFICE : NO. 25,Lane 76,Sec.3, Chung Yang Rd., Tucheng 236, Taipei, Taiwan, R.O.C.
 TEL : 886-2-2267-2000,2267-9936
 FAX : 886-2-2267-6244,22676189,22676306
<http://www.everlight.com>



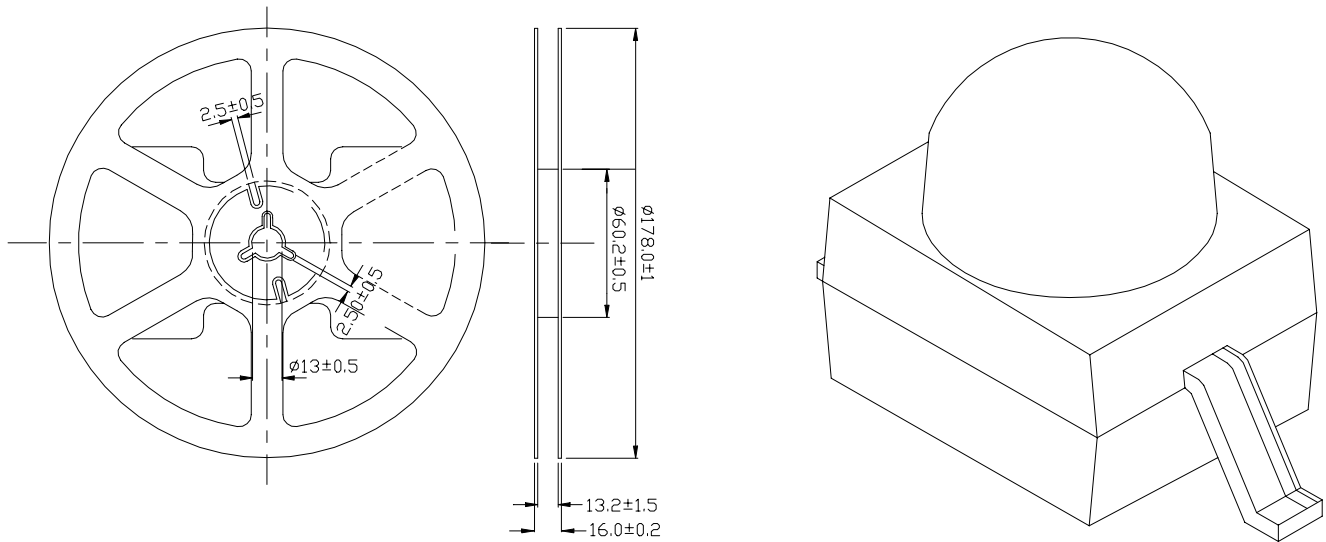
EVERLIGHT ELECTRONICS CO.,LTD.

DEVICE NUMBER : DLE-952-144 REV : 1.1
ECN : _____ PAGE : 2/5

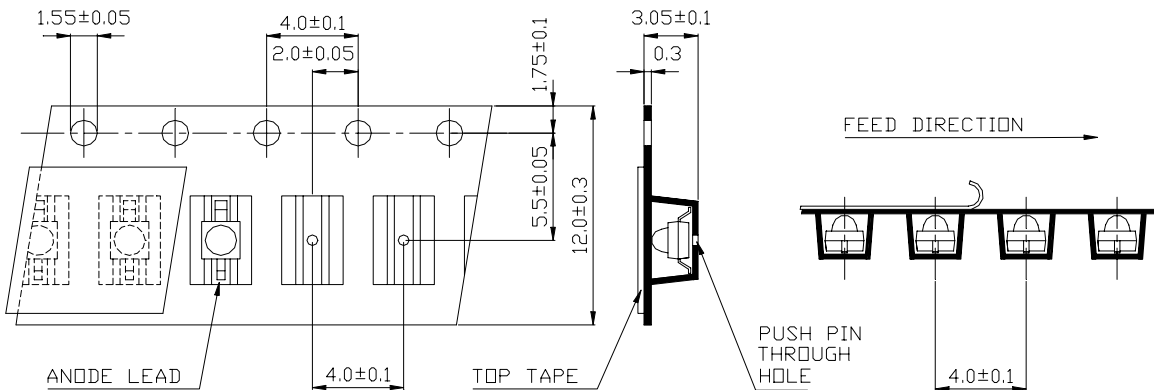
1.8mm Round Subminiature "Gull Wing" Lead (Square Base) LEDs

PART NO. : 95-21UYC/S530-A2/TR7

■ Package Dimensions



■ Loaded Quantity Per Reel 1000 Pcs/Reel



1. All dimensions are in millimeters .
2. Lead spacing is measured where the leads emerge from the package.
3. Protruded resin under flange 1.5 mm (0.59") max.



EVERLIGHT ELECTRONICS CO.,LTD.

DEVICE NUMBER : DLE-952-144 REV : 1.1
ECN : _____ PAGE : 3/5

1.8mm Round Subminiature "Gull Wing" Lead (Square Base) LEDs

PART NO. : 95-21UYC/S530-A2/TR7

■ Absolute Maximum Ratings at Ta = 25°C

Parameter	Symbol	Rating	Unit
Reverse Voltage	VR	5	V
Forward Current	IF	25	mA
Operating Temperature	Topr	-40 ~ +85	°C
Storage Temperature	Tstg	-40 ~ +100	°C
Soldering Temperature	Tsol	260 ± 5 for 5 sec	°C
Electrostatic Discharge	ESD	2000	V
Power Dissipation	Pd	60	mW
Peak Forward Current(Duty 1/10 @ 1KHz)	IF(Peak)	160	mA

■ Electronic Optical Characteristics :

Parameter	Symbol	MIN.	TYP.	MAX.	Unit	Condition
Luminous Intensity	Iv	----	30	----	mcd	IF = 2mA
Luminous Intensity	Iv	198	496	----	mcd	IF = 20mA
Viewing Angle	2θ 1/2	----	25	----	deg	
Peak Wavelength	λ p	----	591	----	nm	
Dominant Wavelength	λ d	----	589	----	nm	
Spectrum Radiation Bandwidth	△ λ	----	15	----	nm	
Forward Voltage	VF	----	2.0	2.4	V	
Reverse Current	IR	----	----	10	μ A	VR=5V



EVERLIGHT ELECTRONICS CO.,LTD.

DEVICE NUMBER : DLE-952-144

REV : 1.1

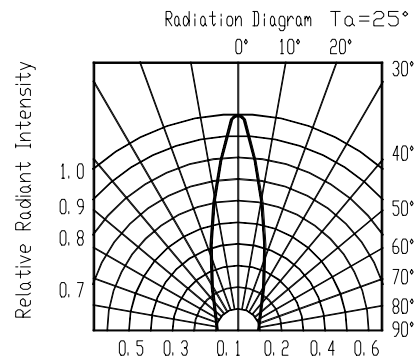
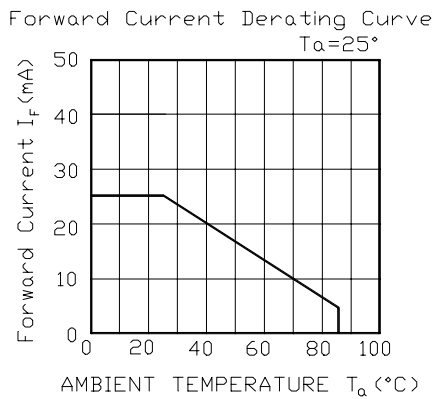
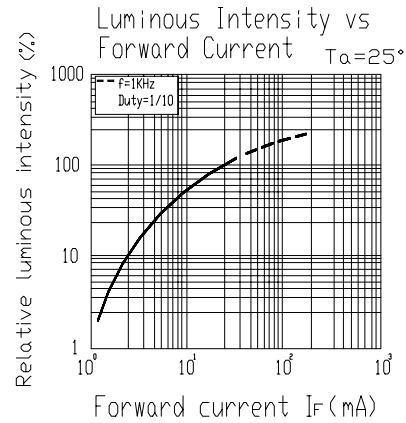
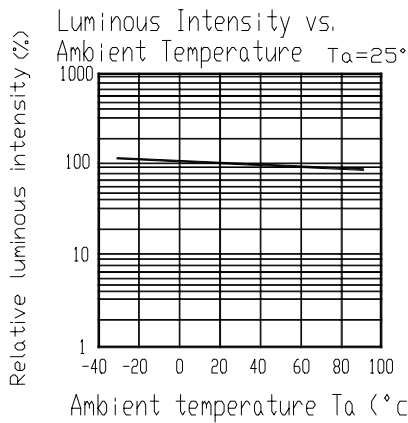
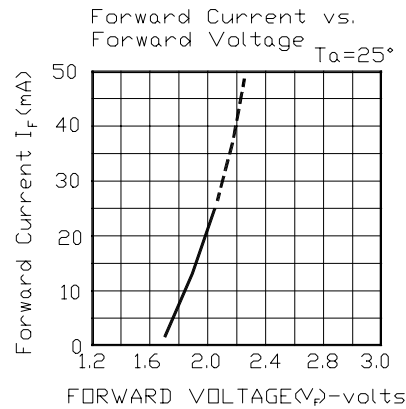
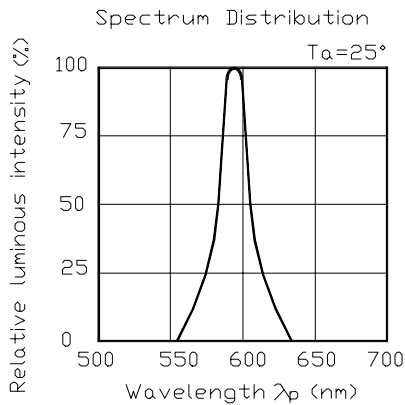
ECN : _____

PAGE : 4/5

1.8mm Round Subminiature "Gull Wing" Lead (Square Base) LEDs

PART NO. : 95-21UYC/S530-A2/TR7

■ Typical Electro-Optical Characteristic Curves





EVERLIGHT ELECTRONICS CO.,LTD.

DEVICE NUMBER : DLE-952-144 REV : 1.1

ECN : _____ PAGE : 5/5

1.8mm Round Subminiature "Gull Wing" Lead (Square Base) LEDs

PART NO. : 95-21UYC/S530-A2/TR7

■ Reliability Test Items And Conditions

NO.	Item	Test Conditions	Test Hours/ Cycle	Sample Size	Ac/Re
1	Solder Heat	TEMP. : 260°C ± 5 °C	5 SEC.	76 PCS	0/1
2	Temperature Cycle	H : +85°C 30 min. ∫ 5 min. L : -55°C 30 min.	50 CYCLES	76 PCS	0/1
3	Thermal Shock	∫ 10 sec. H : +100°C 5 min.	50 CYCLES	76 PCS	0/1
3	Thermal Shock	∫ 10 sec. L : -10°C 30 min.	50 CYCLES	76 PCS	0/1
4	High Temperature Storage	TEMP. : +100°C	1000 HRS	76 PCS	0/1
5	Low Temperature Storage	TEMP. : -55°C	1000 HRS	76 PCS	0/1
6	DC Operating Life	IF = 20 mA	1000 HRS	76 PCS	0/1
7	High Temperature / High Humidity	85°C / 85% R H	1000 HRS	76 PCS	0/1