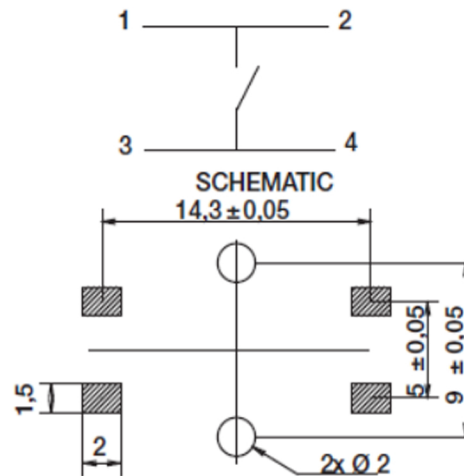
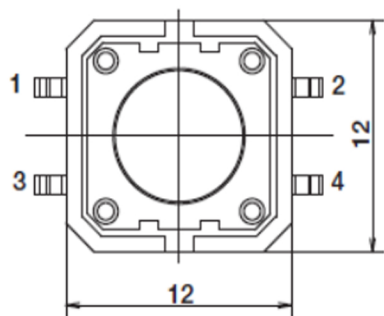
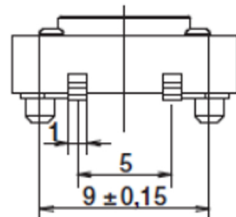
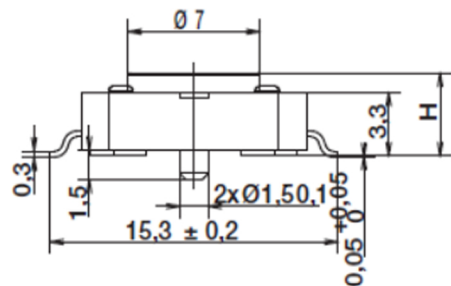


RoHS

CAD GENERATED DRAWING. DON'T CHANGE BY HAND.

| REV. | ECN. NO. | APPD. |
|------|----------|-------|
|      |          |       |



RECOMMENDED PCB LAYOUT

Specification

|                       |                 |
|-----------------------|-----------------|
| Operating Life        | 200,000 cycles  |
| Operating Force       | F               |
| Maximum Voltage       | 12 VDC          |
| Max Current           | 50 mA           |
| Dielectric Strength   | 250 V AC(1mm)   |
| Contact Resistance    | <100 mΩ         |
| Insulation Resistance | >100M Ω         |
| Bounce Time           | <5 ms           |
| Storage Temperature   | -30° C to 85° C |

F(force)

| NO. | Force    |
|-----|----------|
| M   | 180gf±50 |
| K   | 250gf±50 |

H(height)

| NO. | Height          |
|-----|-----------------|
| 43  | 4.3mm           |
| 43P | 4.3mm with pegs |
| 73  | 7.3mm           |
| 73P | 7.3mm with pegs |
| 85  | 8.5mm           |
| 85P | 8.5mm with pegs |
| 12  | 12mm            |

|  |       |      |        |       |    |
|--|-------|------|--------|-------|----|
| X.   | ±0.50 | X.°  | ± 2°   | UNITS | mm |
| .X   | ±0.30 | .X°  | ± 1°   | MAT'L | /  |
| .XX  | ±0.10 | .XX° | ± 0.5° |       |    |
| .XXX   | ±0.05 |      |        |       |    |
| THESE DRAWINGS AND SPECIFICATIONS ARE THE PROPERTY OF YIYUAN TECHNOLOGY CO.,LTD AND SHALL NOT BE REPRODUCED, COPIED OR USED IN ANY MANNER WITHOUT THE PRIOR WRITTEN CONSENT OF YIYUAN TECHNOLOGY CO.,LTD |       |      |        |       |    |
| FINISH   |       |      |        |       |    |
| Q'TY   |       |      |        |       |    |



深圳市怡远科技有限公司  
SHENZHEN YIYUAN TECHNOLOGY CO., LTD

|          |                       |
|----------|-----------------------|
| PART NO. | YTS125SXXXX           |
| APPD:    | ROGER                 |
| CHKD:    | ROC                   |
| DR:      | BILLY WANG 2020/08/21 |

|          |                |      |  |
|----------|----------------|------|--|
| TITLE:   | TACTILE SWITCH |      |  |
| DWG NO.: | YTS125SXXXX    |      |  |
| SCALE    | SHEET          | REV. |  |
| 1/1      | 1/1            | A1   |  |