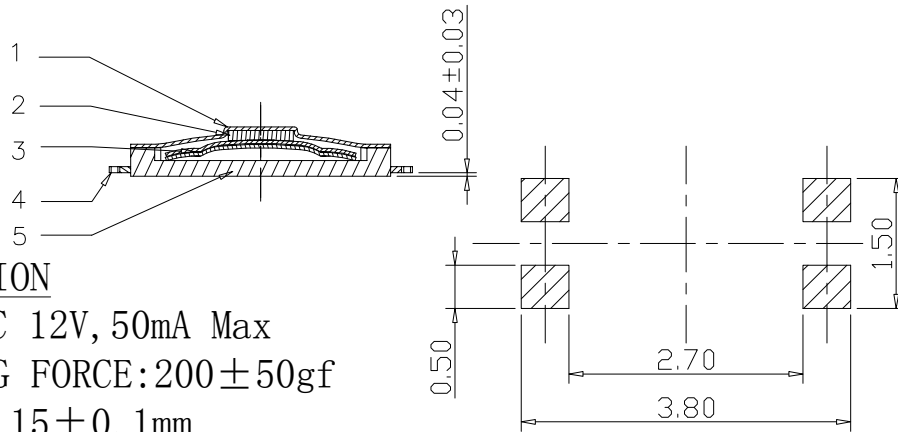
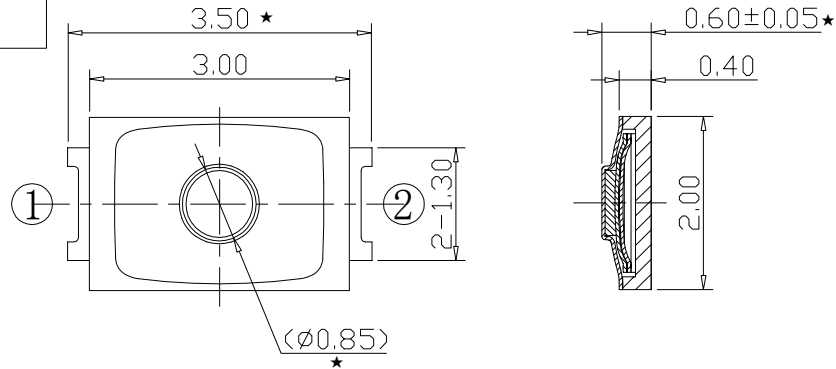
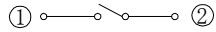


CIRCUIT DIAGRAM

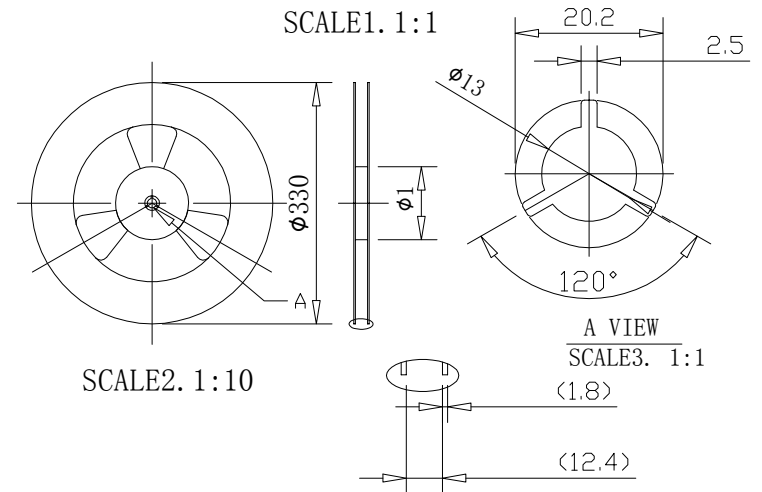
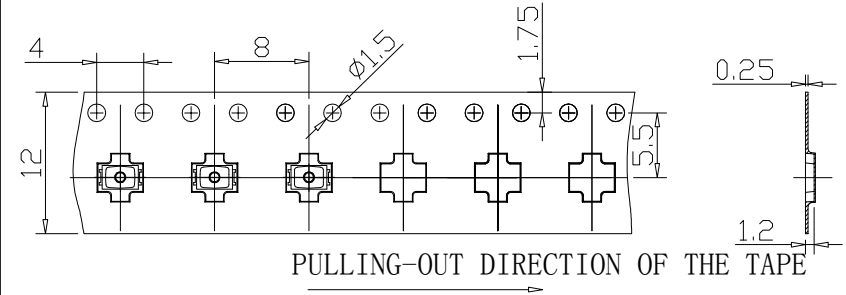


P. C. B. Layout

SPECIFICATION

1. RATING: DC 12V, 50mA Max
2. OPERATING FORCE:  $200 \pm 50$ gf
3. TRAVEL:  $0.15 \pm 0.1$ mm
4. LIFE: 300,000 cycles
5. PACKAGE: 10000PCS/REEL.
6. SINGLE: 0.0075g
7. WATERPROOF GRADE : IP67
8. "★" LOGO IS THE KEY SIZE

| REV. | DESCRIPTION | DATE     | DRAWN | CHECKED | APPROVED |
|------|-------------|----------|-------|---------|----------|
| A    | NEW DWG     | 05/17/20 | Jack  | ROC     | Jason    |



|     |          |                 |       |   |   |                  |
|-----|----------|-----------------|-------|---|---|------------------|
| 1   | KAPTON   | PA9T            | 1     | WHITE                                   | TOLERANCES UNLESS OTHERWISE SPECIFIED<br>WITHIN: $1.5\text{mm} \pm 0.1\text{mm}$<br>OVER: $1.5\text{mm} \pm 0.2\text{mm}$ |                  |
| 2   | NOB      | PA9T            | 1     | BLACK                                   |   |                  |
| 3   | CONTACT  | STAINLESS STEEL | 3     | Ag-Plate<br>(Silver plated copper base) |   |                  |
| 4   | TERMINAL | PHOSPHOR BRONZE | 2     | Ag-Plate<br>(Silver plated nickel base) | DRAWN / DATE  | Jack 2020.05.17  |
| 5   | CASE     | PA9T            | 1     | BLACK                                   | CHECKED / DATE  | ROC 2020.05.17   |
| NO. | PARTS    | MATERIALS       | Q' TY | FINISH                                  | APPROVED / DATE   | Jason 2020.05.17 |

| TACT SWITCH      |      |       | MODEL                               | YTSSKSW020 |
|------------------|------|-------|-------------------------------------|------------|
| SCALE            | UNIT | SHEET | DWG NO.                             |            |
| 1:1              | mm   | 1 / 1 |                                     |            |
| CUSTOMER DRAWING |      |       | SHENZHEN YIYUAN TECHNOLOGY CO., LTD |            |