

SPECIFICATION

Current rating: 5A AC/DC

Voltage rating: 250V AC/DC

Contact resistance: 20m Ω max.

Withstand voltage: 1500V AC/min.

Insulation resistance: 1000M Ω/min.

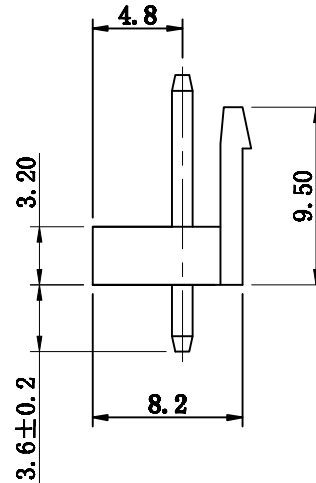
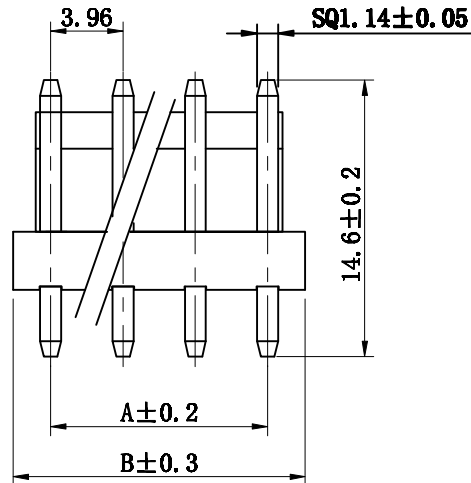
Temperature range: -25℃~+85℃

Material:

Part No:2~12

Post:Brass.Tin/plated

Base:Nylon66 UL94V-0 or V-2



Poles	Part NO.	Dimension (mm)	
		A	B
2	3962S-2P	3.96	7.92
3	3962S-3P	7.92	11.88
4	3962S-4P	11.88	15.84
5	3962S-5P	15.84	19.80
6	3962S-6P	19.80	23.76
7	3962S-7P	23.76	27.72
8	3962S-8P	27.72	31.68
9	3962S-9P	31.68	35.64
10	3962S-10P	35.64	39.60
11	3962S-11P	39.60	43.56
12	3962S-12P	43.56	47.52
13	3962S-13P	47.52	51.48
14	3962S-14P	51.48	55.44
15	3962S-15P	55.44	59.40

TOLERANCE TABLE	
.0	±0.30
.00	±0.20
.000	±0.05

APPROVED:	DATE:	Ckmtw 深圳市灿科盟实业有限公司 CHANKEMENG INDUSTRYCO., LTD			
CHECKED:	DATE:	TITLE: 3962S-XP			
DRAWN:	DATE:	CLIENT P/N /			
LYF	2008-04-07	UNIT	mm	SCALE	free
		FILE NO.	Ckmtw-3962-0020	REV.	A WDOO