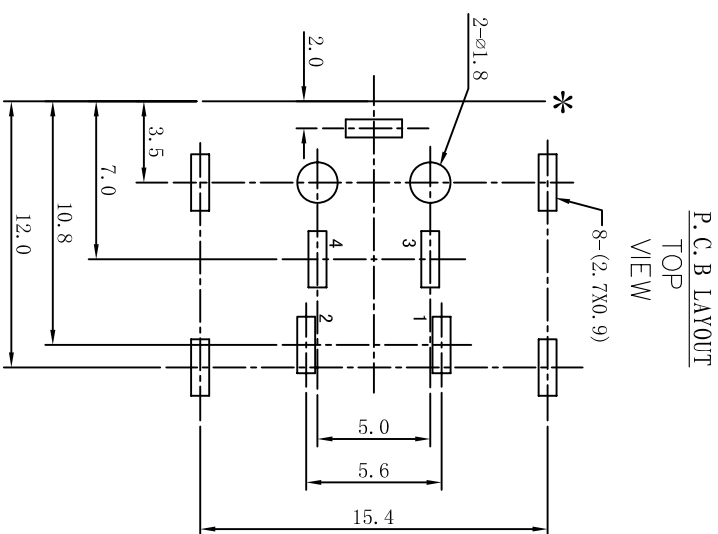
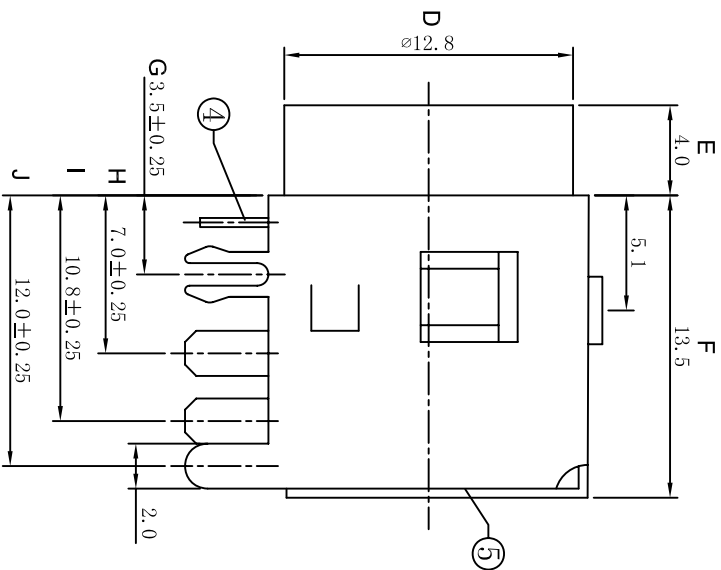
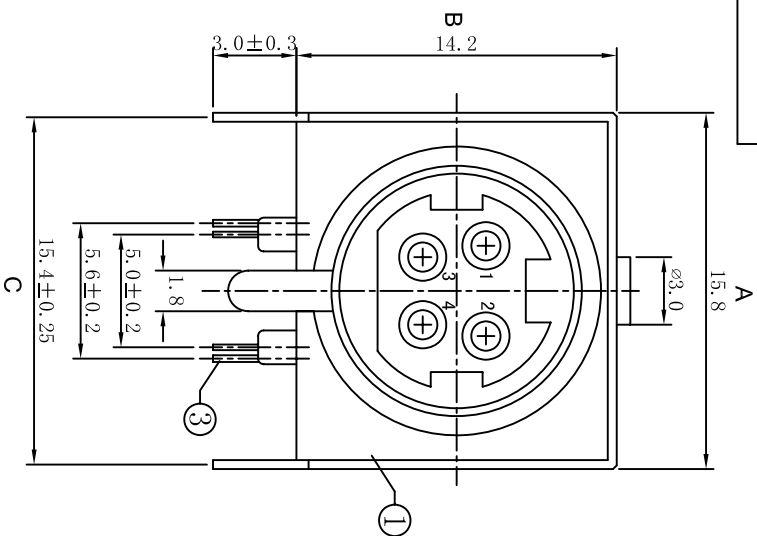


ROHS

2002/95/EC



5	COAT	1	IRON	Ni-Plating
4	CONTACT FOOT	1	BRONZE	Ni-Plating
3	CONTACT FOOT	4	BRONZE	Ni-Plating
1	HOUSING	1	PBT	
NO.	DESCRIPTION	QTY	MATERIAL	PLATING

UNIT:MM	TYPE:	MODEL NO:	PAPER NO: A4	PAGE 1 OF 1
	DIN SOCKET		TOLERANCE	SCALE
			± 0.15	VER
			± 1.5°	3:1
				1

DESIGNER BY:	Liu Xiaoheng	 皓宇(香港)有限公司
CHECK BY:	Li Jian	
DATE :	2009-3-17	