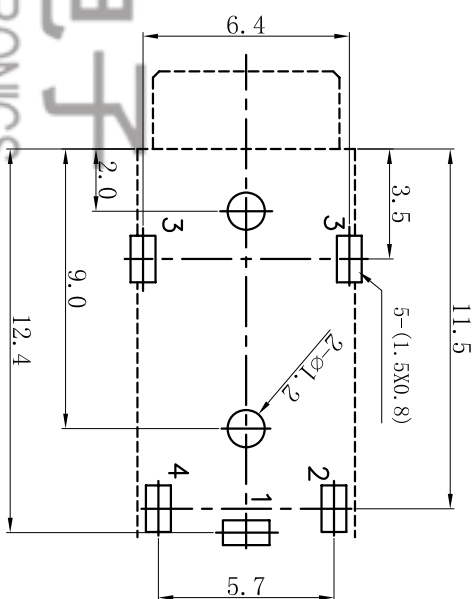
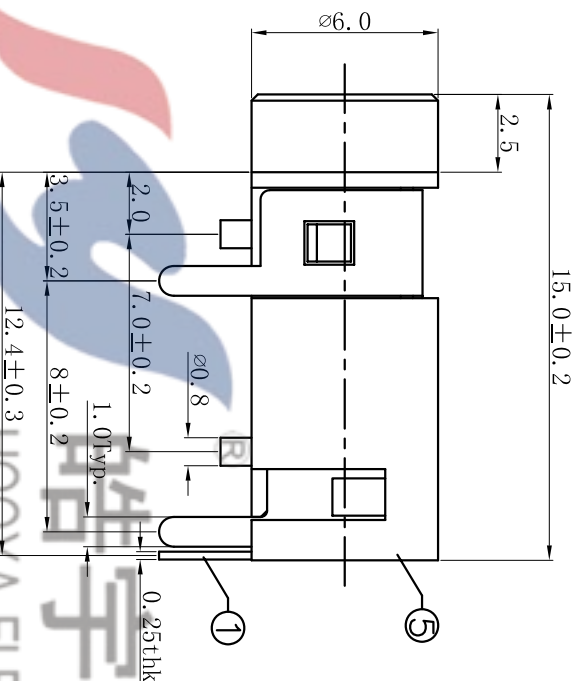
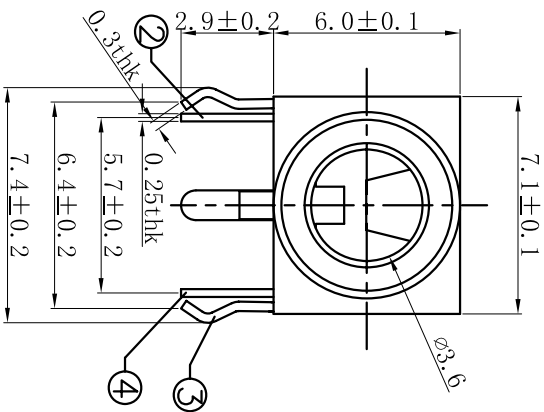
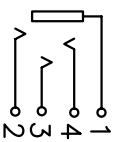


ROHS



P.C.B LAYOUT  
TOP VIEW

SCHMATIC



NO.	PART NAME	MATERIAL	QTY	FINISHING	TOLERANCE UNLESS SPECIFIED UP TO 5mm: ±0.1 ANGULAR ±1° ABOVE 5mm: ±0.2 TITLE: PHONE JACK MODEL: Pj-322 UNIT : MM SCALE: 1:1 ROHS COMPLIANT				图形更新 2016.4.16 REVISIONS DWN APPD		PRO.AGL.	REV :A1
5	HOUSING	PBT	1		1	2016.4.16	Hx					
4	4#CONTACT FOOT	PHOSPHOR BRONZE	1	Ag-Plated								
3	CONTACT FOOT	BRASS	1	Ag-Plated								
2	2#CONTACT FOOT	PHOSPHOR BRONZE	1	Ag-Plated								
1	1#CONTACT FOOT	PHOSPHOR BRONZE	1	Ag-Plated								



HAOYU(HONGKONG)LIMITED  
皓宇(香港)有限公司