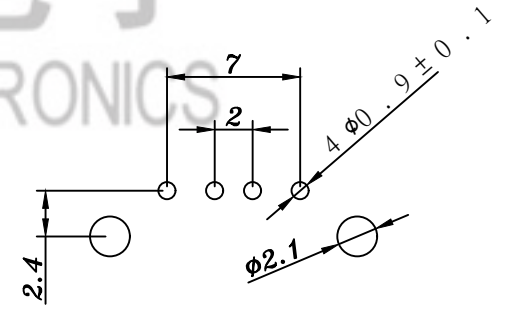


皓宇电子
HOOYA ELECTRONICS



注: B:黑色胶舌 FE: 外壳为铁

					TOLERANCE UNLESS SPECIFIED						
					UP TO 5mm: ±0.1	ANGULAR	1				
					ABOVE 5mm: ±0.2	±1°	NO	DATE	REVISIONS	BY	APPD
3	CONTACT FOOT	BRASS	4	Sn/Au-Plated	TITLE: USB JACK		UNIT : MM	ROHS	DWN		
2	COAT	BRASS/IRON	1	Ni-Plated	MODEL: USB-103F-B-FE		SCALE: 1:1	COMPLIANT	CHK'D		
1	HOUSING	PBT	1		HAOYU(HONGKONG)LIMITED 皓宇(香港)有限公司				APPD		
NO.	PART	NAME	MATERIAL	QTY			FINISHING			PRO.AGL:	