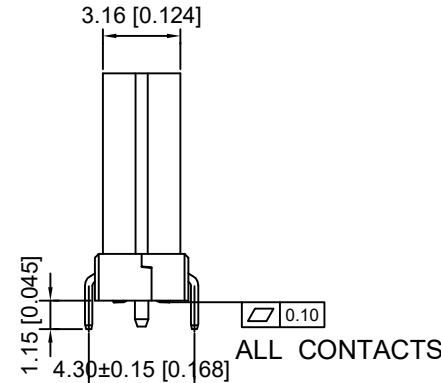
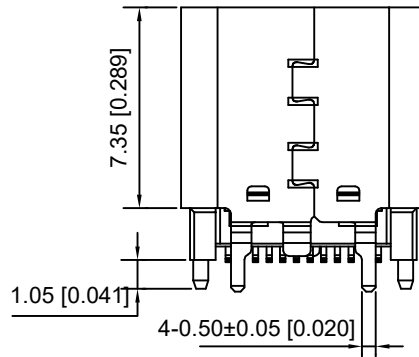
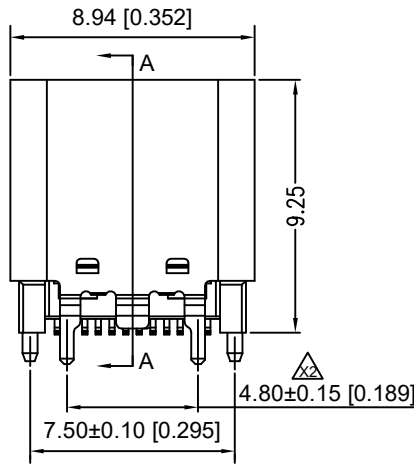
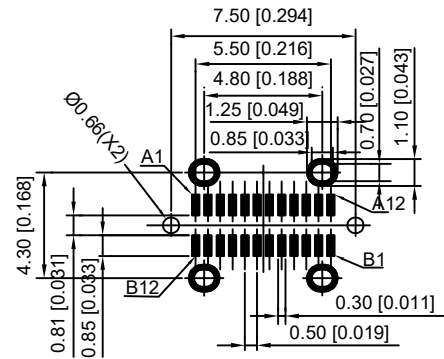


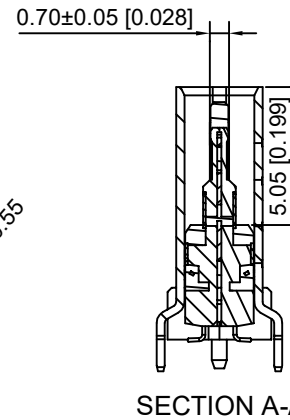
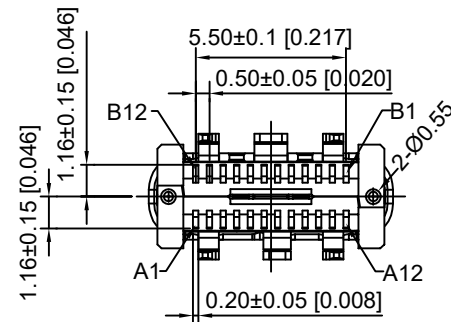
AFTER MATING



ALL CONTACTS



RECOMMENDED PCB LAYOUT(TOP VIEW)
THICKNESS 1.5±0.10MM;DEFAULT TOLERANCE:±0.05



SECTION A-A

H	
1	8.75
2	9.25
3	10.00
4	10.40

NOTE:

- MATERIAL SPECIFICATION:
 - HOUSING:HIGH TEMPERATURE RESISTANT PLASTIC(LCP),UL94 V-0.
 - CONTACTS:COPPER ALLOY(C18150)T=0.12mm
 - MID PLATE: STAINLESS STEEL(SUS301)T=0.15mm
 - EMI PLATE: STAINLESS STEEL(SUS301)T=0.10mm
 - SHELL: STAINLESS STEEL(SUS304)T=0.30mm
- PLATING SPECIFICATION:
 - CONTACTS:
 - Ni 50μ MIN. UNDER PLATED OVER ALL.
 - Au PLATED ON THE FUNCTIONAL AREA OF CONTACT. (GOLD PLATING THICKNESS FOLLOW THE P/N)
 - SHELL:
 - Ni 30μ MIN. UNDER PLATED OVER ALL.
 - MID PLATE:
 - CLEAR ONLY
 - EMI PLATE:
 - CLEAR ONLY
- MECHANICAL PERFORMANCE,
 - INSERTION FORCE: 5~20N.
 - REMOVAL FORCE: 8~20N,6~20N AFTER TEST;
 - DURABILITY: 10000 CYCLES.
- ELECTRICAL PERFORMANCE,
 - CURRENT RATING:5.0A
VOLTAGE RATING:5.0V
 - LLCR:
 - VBUS & GND PINS AND OTHER PINS: 40ms/PIN MAX.
 - SHIELD: 50ms/MAX.
 - LLCR MAX. CHANGE OF ALL PINS: 10ms.
 - INSULATION RESISTANCE: 100MΩ MIN
 - DIELECTRIC WITHSTAND VOLTAGE,AC 100V FOR 1 MINUTE.
- ENVIRONMENTAL PERFORMANCE:
 - OPERATING TEMPERATURE: -25°C~+85°C.
- IR REFLOW:
 - THE PEAK TEMPERATURE ON THE BOARD SHALL BE MAINTAINED FOR 10 SECONDS AT 260°C.

A1	GND	B12	GND
A2	SSTXP1	B11	SSRXP1
A3	SSTXN1	B10	SSRXN1
A4	VBUS	B9	VBUS
A5	CC1	B8	SBU2
A6	DP1	B7	DN2
A7	DN1	B6	DP2
A8	SBU1	B5	CC2
A9	VBUS	B4	VBUS
A10	SSRXN2	B3	SSTXN2
A11	SSRXP2	B2	SSTXP2
A12	GND	B1	GND
PIN	SIGNAL NAME	PIN	SIGNAL NAME

U263-24XN-4BQC17-X

1:AU 1U"Min
3:AU 3U"Min
5:AU 5U"Min
10:AU 10U"Min
15:AU 15U"Min
30:AU 30U"Min

1:PBT
2:PA6T
3:PA9T
4:LCP

W:WHITE
B:BLACK

REVISIONS					DSND	DATE	SCALE: N/A	MODEL TYPE:
ΔX					DWN	DATE	VIEW:	3.1 TYPE C
ΔX					CHKD	DATE	UNIT: mm/in	PART NO.:
ΔX					APPD	DATE	SIZE: A4	DWG NO.:
MARK	DESCRIPTION	DATE	REVISED	APPROVED				U263-24XN-4BQC17-X
UNSPECIFIED TOLERANCES					XKB INDUSTRIAL PRECISION CO.,LIMITED			WEIGHT
								SHEET
								REVISION
								1/1
								A0