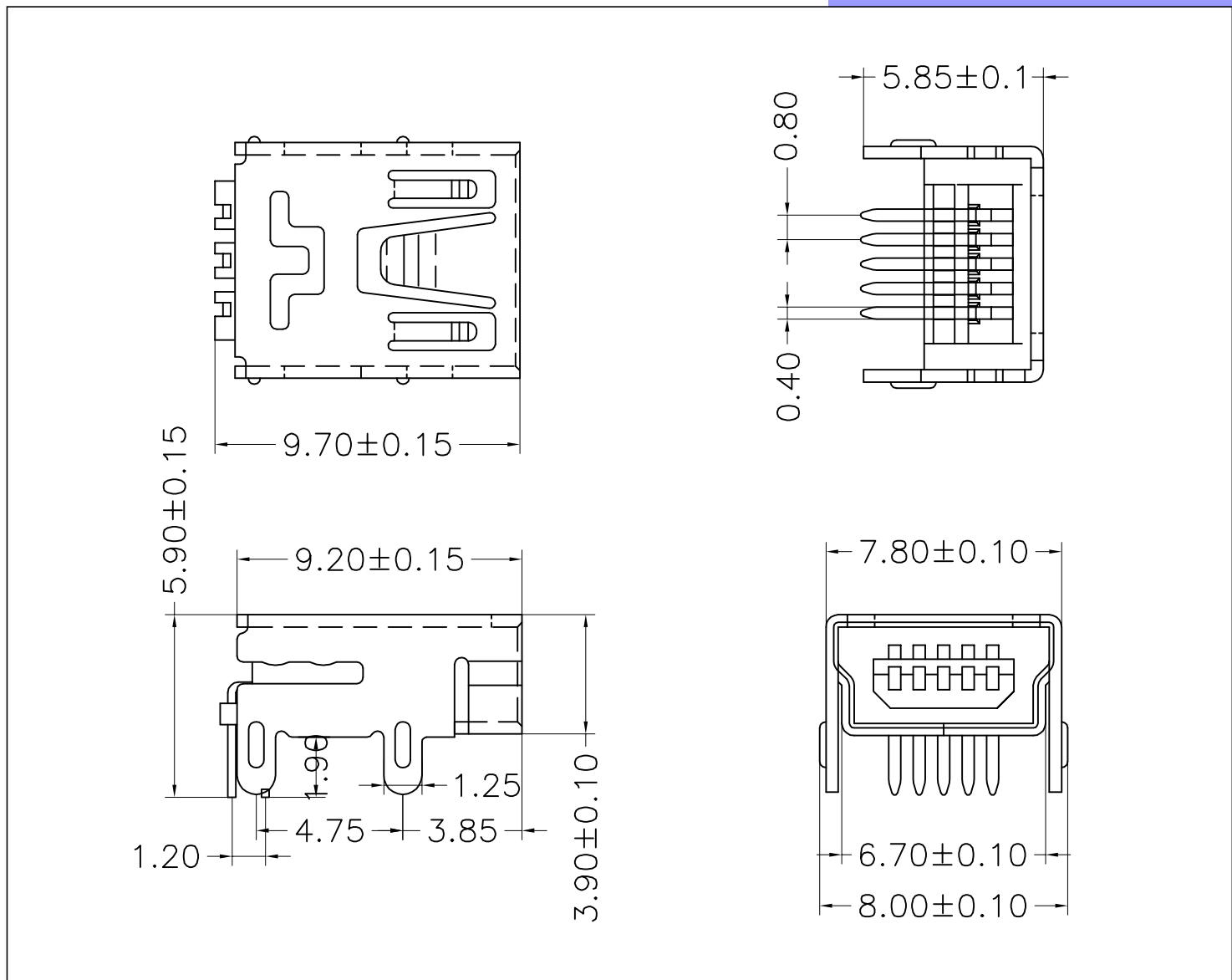




LTEM NO.: CZ-520
(MINI-USB-SOCKETS)

Unit:mm



Technical parameter

| PROJECT | | LEVEL | A [better product] | B [average product] | C [low product] |
|-----------------------|----------------------------|-------|---|---|-----------------|
| Electrical Properties | Initial Contact Resistance | | 30mΩ max. | 30mΩ max. | no data! |
| | Contact Resistance | | 100MΩ min. 100V DC Skey/PD: 50MΩ min. 100V DC | | |
| | Withstand Voltage | | 300V AC for 1min | 250 V AC for 1min | |
| Durable Performance | There No Load | | 6,000 Cycles | 5,000 Cycles | no data! |
| | Rated Load | | 5,000 Cycles 50mΩ max. | 4,000 Cycles 30mΩ max. | no data! |
| Insertion Force | | | 4.0Kgf MAX (Springback:) | | |

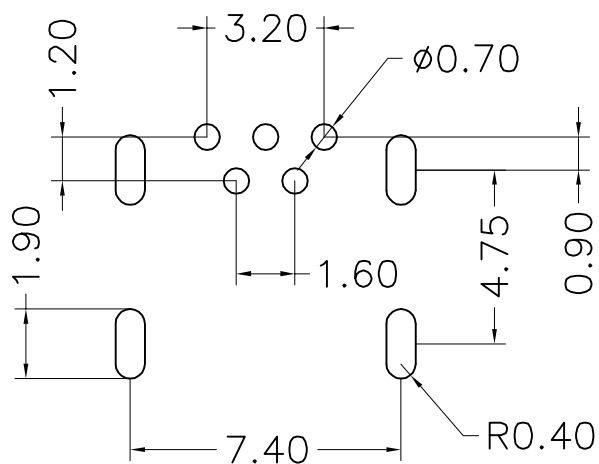
表面貼裝 SMT

側向導入 LATERAL

精密部品 NICETY

可靠 STABILIZE

適合環保 RoHS

CIRCUIT BOARD SIZE
(Vertical view)

PIN Assignment

Material declaration

| No. | NAME | Type | Description |
|-----|------|------|----------------------------|
| ① | 胶芯 | 1 | LCP 热塑性[Black] |
| ② | 接触端子 | 5 | 磷铜 C5191(镀金 1u" /焊区雾锡) |
| ③ | 外壳 | 1 | 黄铜 C2680/SPCC[镀镍 40u" min] |

本品不屬於危害性廢棄物,須丟棄時可以委託回收商予以回收再生處理。Products do not belong to hazardous waste,When waste can recycling processing

運送時本產品不要直接與水、酸鹼性化學物質接觸,或放置於含有以上氣體環境中,並且需要注意會有滑落、側翻的危險發生;運輸過程中不能有碰撞或者擠壓,須保證溫度與濕度適中[常溫 25°C,濕度在 50°C 以內],不可導致材料變形或氧化。

注記 NOTICE

1. 碩方電子公司擁有最終解釋權; The company reserves the right of final interpretation;
2. 文件禁止外洩、轉載; Leaked and reproduced prohibited;
3. 未經授權修改無效。Modify is invalid.