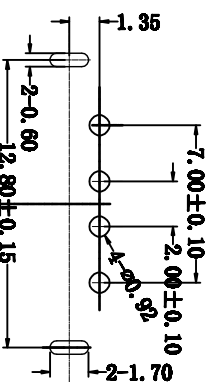
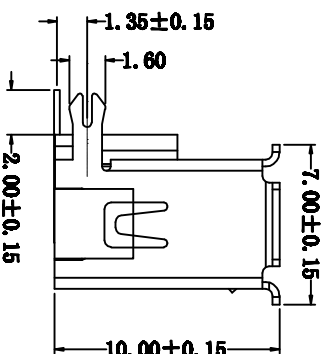
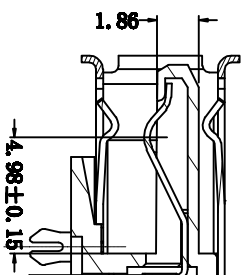
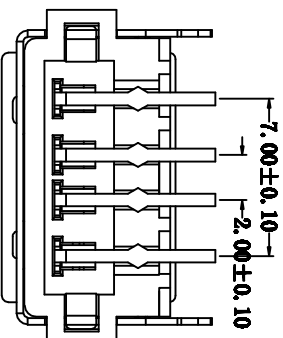
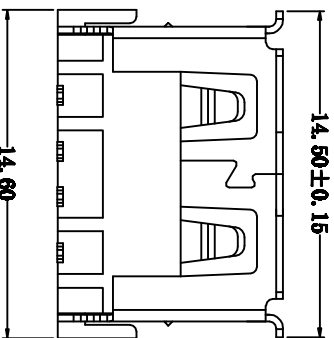
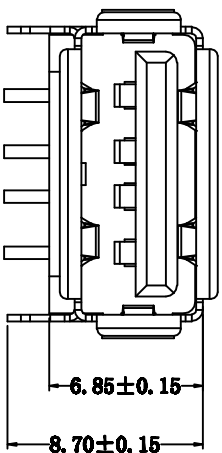


Kinghelm®



RECOMMENDED PCB LAYOUT

REV.	ECN NO	LTR	DESCRIPTION	REVISER	DATE

规格说明 (Specifications):

- 1.0 电气特性 (Electrical):
 - 1.1 额定电流 (Current Rating):
 - 1.5A/Contact Terminal
 - 1.2 额定电压 (Voltage Rating):
 - 30V DC
 - 1.3 接触电阻 (Contact Resistance):
 - 30 Milliohms Max
 - 1.4 额定电压 (Dielectric Withstanding Voltage):
 - 500 V AC AT Sea Level
 - 1.5 绝缘电阻 (Insulation Resistance):
 - 1000MΩ @ 50% RH
- 2.0 物理性能 (Mechanical):
 - 2.1 插拔力 (Connector Mate And Unmate Force):
 - Mating Force: 3.57kgf (Max)
 - Unmating Force: 1.02kgf (Min)
 - 2.2 端子保持力 (Terminal Retention):
 - 1.2kgf (Min)
- 3.0 原材料 (Material):
 - 3.1 塑胶 (Housing):
 - Hing Temperature Thermoplastics
 - UL 94V-0 PBT/LCP White/Black
 - 3.2 端子 (Contact):
 - Copper Alloy C3600 T-0, 20μM
 - 3.3 外壳 (Shell):
 - Copper/Berro Alloy C2880/SPCC T-0, 30μM
 - 4.0 电镀 (Plating):
 - 4.1 端子 (Contact):
 - Plated Gold in Mating Area
 - Sn ≥ 1000" Ni ≥ 400" Au = 10" / 30" / 50" / ...
 - 4.2 外壳 (Shell):
 - Nickel Plating
 - 12H (Cu ≥ 800" Ni ≥ 600")
 - 24H (Cu ≥ 1000" Ni ≥ 800")
 - 48H (Cu ≥ 1200" Ni ≥ 1000")
 - ...
- 5.0 Dimension marked 尺寸 must be controlled in QIP.

产品图

PRODUCT CHART DWG

公差一览表

TOLERANCE UNLESS OTHERWISE	公差	公差
X.	±0.25	X.
.X	±0.20	.X
.XX	±0.15	.XX
.XXX	±0.10	.XXX

深圳市金航标电子有限公司

KH-AF90HC-10JB-H6.8

WWW.BDS666.COM

0755-83044319

单位	MM
比例	1:1
日期	2017.0316

制图	审核	核准

制图料号	产品名称

角法	版本	