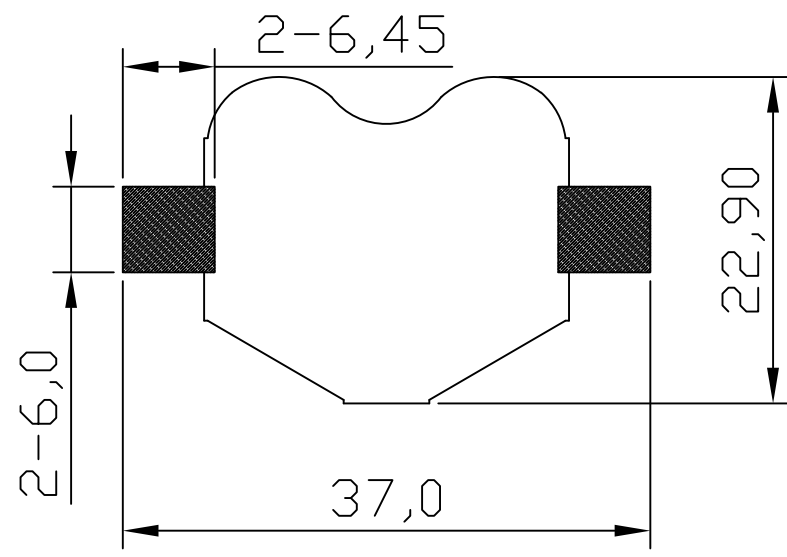
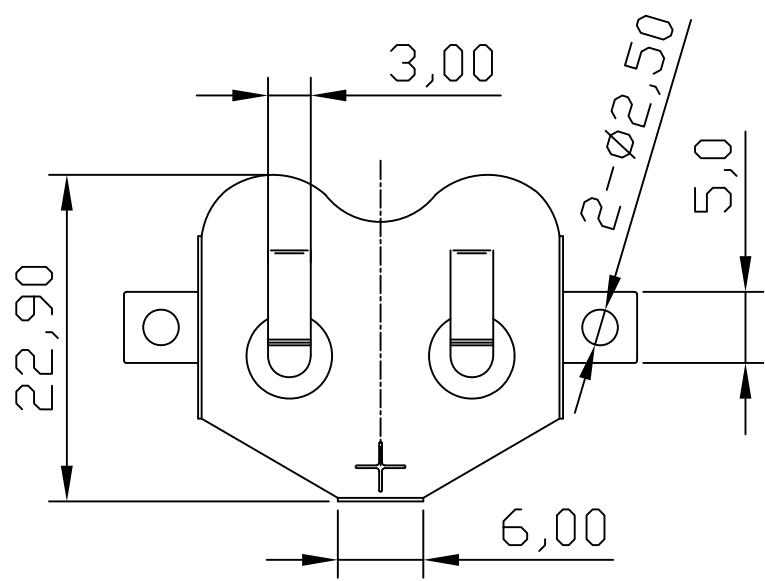
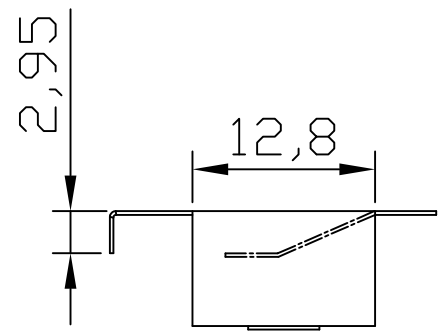
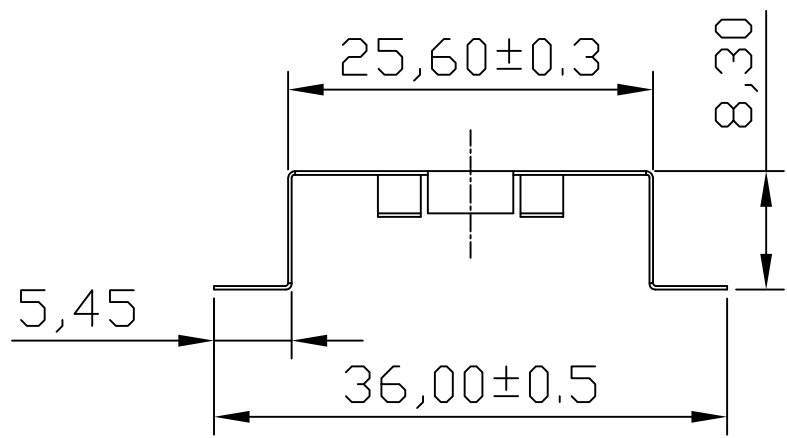




REV.	ECN NO.	REVISED	DATE



PCB Layout Diagram  
Top View



工程部  
2021-04-26  
H. WANG

UNLESS OTHERWISE SPECIFIED TOLERANCES		<b>MYOUNG 美阳</b> <a href="http://www.meiyangdz.com">www.meiyangdz.com</a>	
DECIMALS: X :±0.30 X.X :±0.25 X.XX :±0.20 X.XXX :±0.10	ANGLES: X :±1° X.X :±0.5°	DSND YangFeng	DATE 2021-04-26
WEIGHT: 1.315g		CHKD ZhouRuicai	DATE 2021-04-26
SHEET 1 OF 1		APVD XueShunyong	DATE 2021-04-26
TITLE:		SCALE: 2:1	SIZE: A4
PART NO.:		VIEW:	
DRAW NO.:WD-CP-0145		UNIT: mm	REV.: A/0
		OBJECT: MY	

1	TERMINAL(+)	1	C5191, T=0.25mm	Ni-Plating
NO.	PART NAME	Q'TY	MATERIAL	PLATING & COLOR