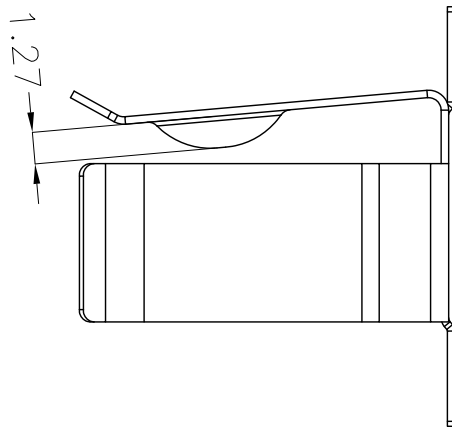
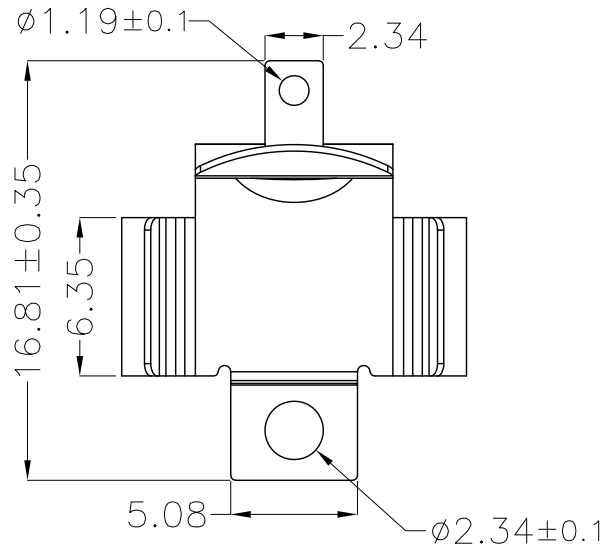
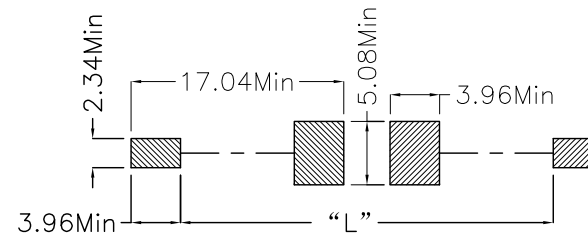
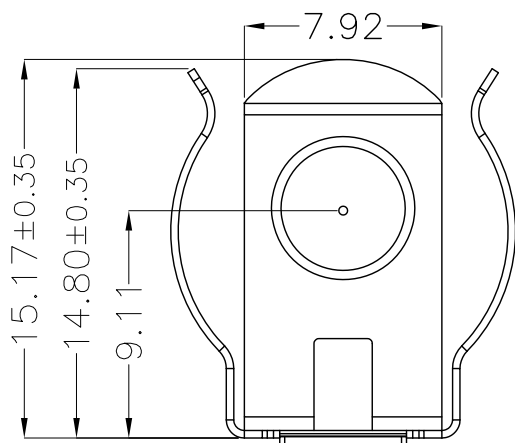




REV.	ECN NO.	REVISED	DATE



BATTERY SIZE	"L" DIMENSION
AA	52.10
A	46.74



Scale:2:1
PCB Layout Diagram
Top View

工程部
2020-06-24
LQ. HUANG

UNLESS OTHERWISE SPECIFIED TOLERANCES		MYOUNG 美阳 www.meiyangdz.com	
DECIMALS: X :±0.30 X.X :±0.25 X.XX :±0.20 X.XXX :±0.10	ANGLES: X :±1° X.X :±0.5°	DSND YangFeng	DATE 2020-06-24
WEIGHT: g		CHKD ZhouRuicai	DATE 2020-06-24
SHEET 1 OF 1		APVD XueShunyong	DATE 2020-06-24
TITLE: 2A电池夹 SMT		SCALE: SIZE: A4	VIEW:
PART NO.: MY-AA-04		UNIT: mm	REV.: A/0
DRAW NO.:WD-CP-0086		OBJECT: MY	

1	TERMINAL	1	Mn STEEL, T=0.30mm	Ni-Plating
NO.	PART NAME	Q'TY	MATERIAL	PLATING & COLOR