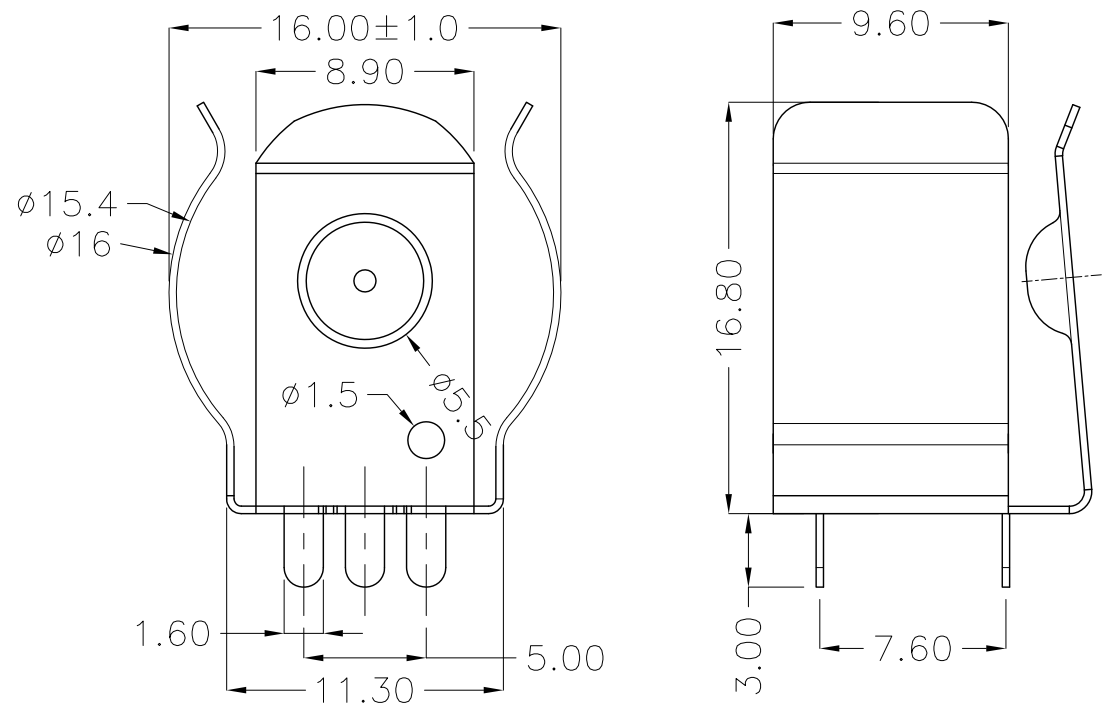




REV.	ECN NO.	REVISED	DATE



工程部  
2019-06-12  
LQ HUANG

BATTERY SIZE	"L" DIMENSION
18650	48.00 MM
CR123A	14.50 MM



PCB Layout Diagram  
Top View

UNLESS OTHERWISE SPECIFIED TOLERANCES		<b>MYOUNG 美阳</b> <a href="http://www.meiyangdz.com">www.meiyangdz.com</a>	
DECIMALS: X :±0.30 X.X :±0.25 X.XX :±0.20 X.XXX :±0.10	ANGLES: X :±1° X.X :±0.5°	DSND YangFeng	DATE 2019-06-12
WEIGHT:g		CHKD ZhouRuicai	DATE 2019-06-12
SHEET 1 OF 1		APVD XueShunyong	DATE 2019-06-12
		SCALE:2.5:1	SIZE: A4
		UNIT: mm	REV.: A/0
		VIEW:	OBJECT: MY
		TITLE: 18650电池夹	
		PART NO.: MY-18650-01	
		DRAW NO.:WD-CP-0056	

1	TERMINAL(+)	1	Mn Steel T=0.30MM	Ni-Plating
NO.	PART NAME	Q'TY	MATERIAL	PLATING & COLOR