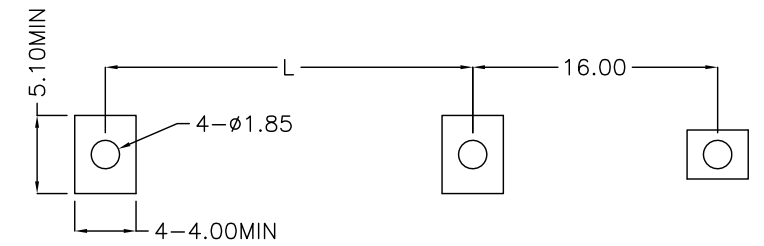
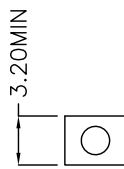
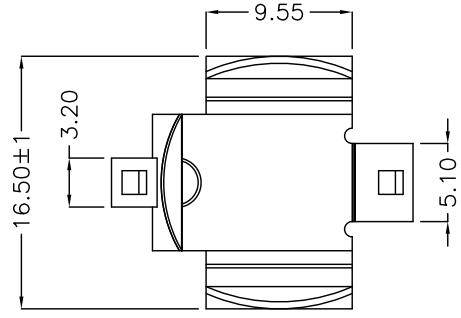
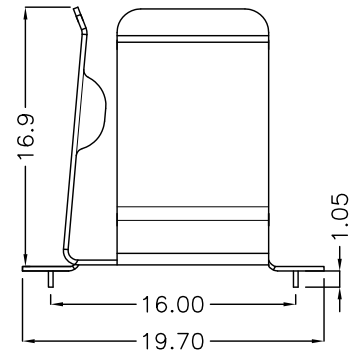
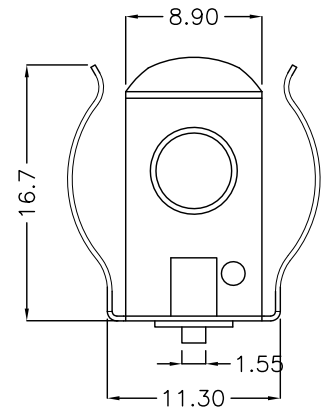




REV.	ECN NO.	REVISED	DATE



PCB Layout Diagram
Top View



BATTERY SIZE	"L" DIMENSION
18350	8.25 MM
18650	40.25 MM
CR123A	6.85 MM

工程
2020-03-10
H. WANG

UNLESS OTHERWISE SPECIFIED TOLERANCES		MYOUNG 美阳 www.meiyangdz.com	
DECIMALS: X :±0.30 X.X :±0.25 X.XX :±0.20 X.XXX :±0.10	ANGLES: X :±1° X.X :±0.5°	DSND YangFeng	DATE 2020-03-10
WEIGHT:g		CHKD ZhouRuicai	DATE 2020-03-10
SHEET 1 OF 1		APVD XueShunyong	DATE 2020-03-10
TITLE: 18650电池夹 SMT		SCALE:2.5:1	SIZE: A4
PART NO.: MY-18650-02		VIEW:	UNIT: mm
DRAW NO.:WD-CP-0080		REV.: A/0	OBJECT: MY

1	TERMINAL(+)	1	SPRING Steel T=0.30MM	Ni-Plating
NO.	PART NAME	Q'TY	MATERIAL	PLATING & COLOR