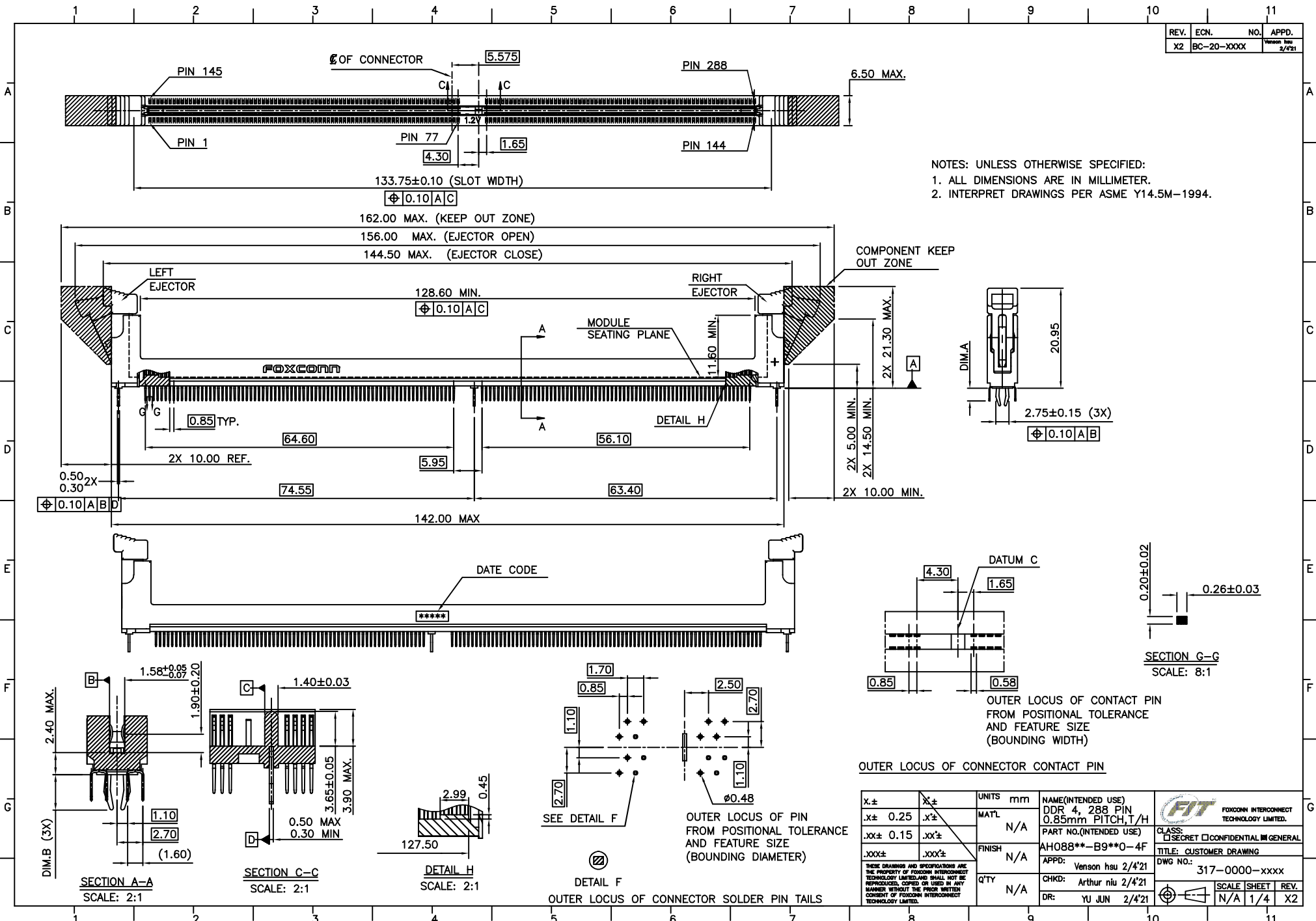
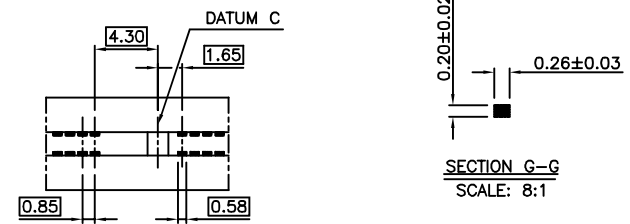


REV.	ECN.	NO.	APPD.
X2	BC-20-XXXX	Venson hsu 2/4/21	



NOTES: UNLESS OTHERWISE SPECIFIED:  
 1. ALL DIMENSIONS ARE IN MILLIMETER.  
 2. INTERPRET DRAWINGS PER ASME Y14.5M-1994.



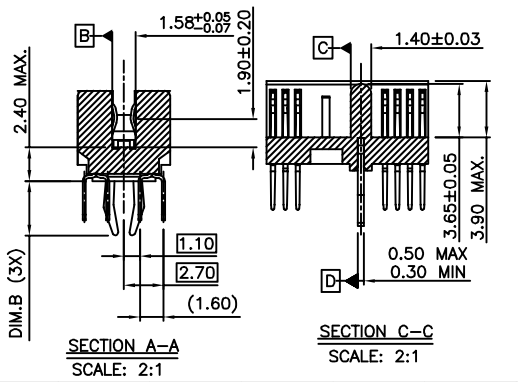
OUTER LOCUS OF CONTACT PIN  
FROM POSITIONAL TOLERANCE  
AND FEATURE SIZE  
(BOUNDING WIDTH)

OUTER LOCUS OF CONNECTOR CONTACT PIN

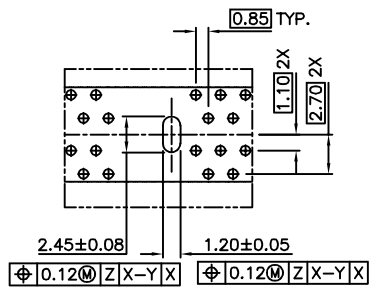
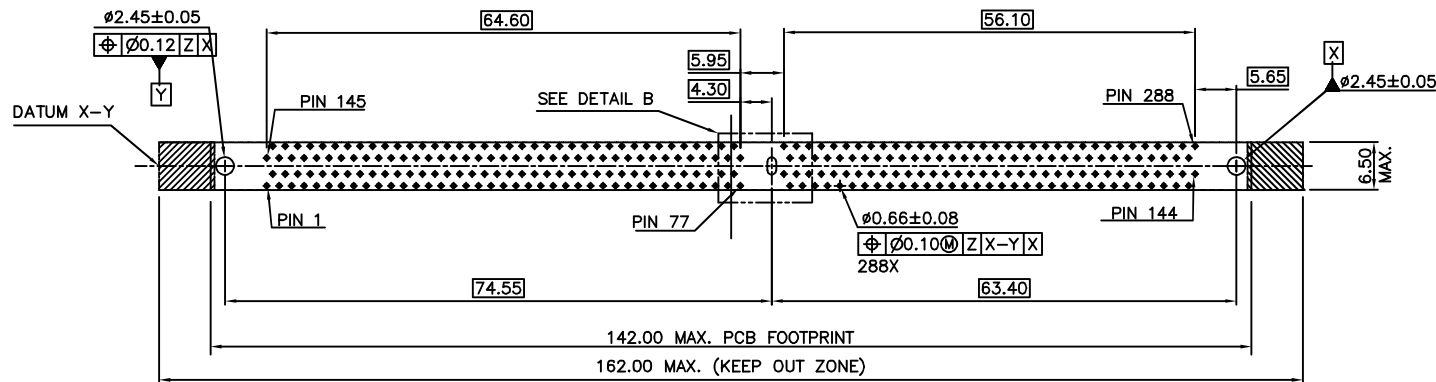
X±	X±	UNITS	mm	NAME(NTENDED USE)	FOXCONN INTERCONNECT TECHNOLOGY LIMITED.
.X± 0.25	.X±	MATL	N/A	DDR 4, 288 PIN 0.85mm PITCH,T/H	
.XX± 0.15	.XX±		N/A	PART NO.(INTENDED USE)	CLASS: <input type="checkbox"/> SECRET <input type="checkbox"/> CONFIDENTIAL <input type="checkbox"/> GENERAL
.XXX±	.XXX±	FINISH	N/A	AH088**-B9**0-4F	TITLE: CUSTOMER DRAWING
		APPD:		Venson hsu 2/4/21	DWG NO.: 317-0000-XXXX
		CHKD:		Arthur niu 2/4/21	SCALE SHEET REV. N/A 1/4 X2
		DR:		YU JUN 2/4/21	

OUTER LOCUS OF PIN  
FROM POSITIONAL TOLERANCE  
AND FEATURE SIZE  
(BOUNDING DIAMETER)


OUTER LOCUS OF CONNECTOR SOLDER PIN TAILS



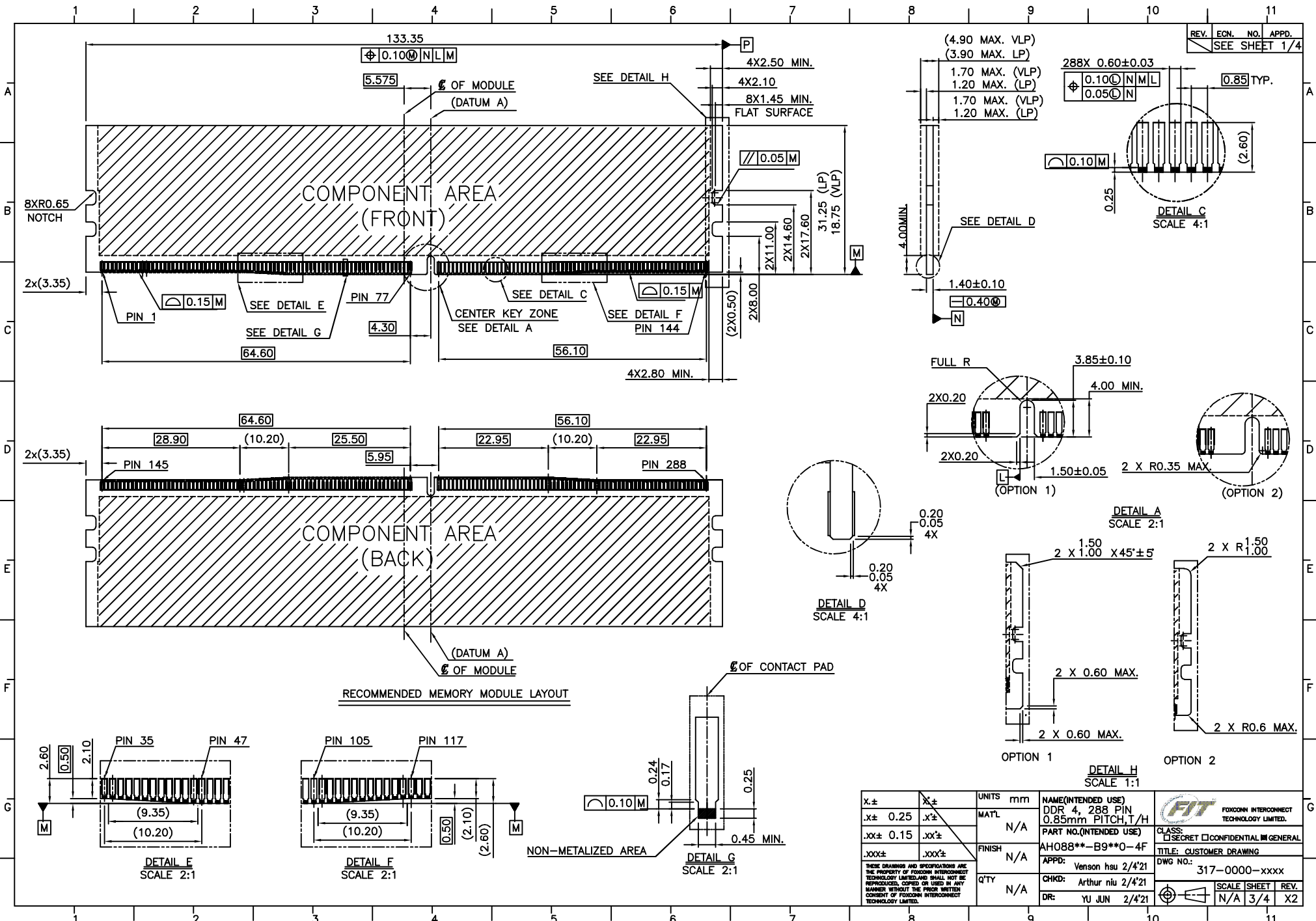
1	2	3	4	5	6	7	8	9	10	11			
PART NUMBER	DIM. A CONTACT TAIL	DIM. B METAL BOARD LOCK									REV.	ECN. NO.	APPD.
AH0881*-B9**0-4F	2.67±0.25	3.78±0.25									SEE SHEET 1/4		
AH0880*-B9**0-4F	3.18±0.25	4.57±0.25											



DETAIL B

X.±	X±	UNITS	mm	NAME(NTENDED USE)	 <b>FIT</b> FOXCONN INTERCONNECT TECHNOLOGY LIMITED.
.X± 0.25	.X±	MATL	N/A	DDR 4, 288 PIN 0.85mm PITCH, T/H	
.XX± 0.15	.XX±		N/A	PART NO.(NTENDED USE)	CLASS: <input type="checkbox"/> SECRET <input type="checkbox"/> CONFIDENTIAL <input type="checkbox"/> GENERAL
.XXX±	.XXX±	FINISH	N/A	AH088**-B9**0-4F	TITLE: CUSTOMER DRAWING
				APPD: Venson hsu 2/4/21	DWG NO.: 317-0000-XXXX
				CHKD: Arthur niu 2/4/21	SCALE SHEET REV.
				DR: YU JUN 2/4/21	N/A 2/4 X2

THESE DRAWINGS AND SPECIFICATIONS ARE THE PROPERTY OF FOXCONN INTERCONNECT TECHNOLOGY LIMITED AND SHALL NOT BE REPRODUCED, COPIED OR USED IN ANY MANNER WITHOUT THE PRIOR WRITTEN CONSENT OF FOXCONN INTERCONNECT TECHNOLOGY LIMITED.



REV. EGN. NO. APPD.  
SEE SHEET 1/4

X.±		X.±		UNITS	mm	NAME(NTENDED USE)	
.X±	0.25	.X±		MATL	N/A	DDR 4, 288 PIN 0.85mm PITCH,T/H	
.XX±	0.15	.XX±			N/A	PART NO.(NTENDED USE)	
.XXX±		.XXX±		FINISH	N/A	AH088**-B9**0-4F	
				Q'TY	N/A	APPD: Venson hsu 2/4/21	
						CHKD: Arthur niu 2/4/21	
						DR: YU JUN 2/4/21	
						CLASS: <input type="checkbox"/> SECRET <input type="checkbox"/> CONFIDENTIAL <input type="checkbox"/> GENERAL	
						TITLE: CUSTOMER DRAWING	
						APPD: DWG NO.: 317-0000-XXXX	
						SCALE SHEET REV. N/A 3/4 X2	

# SPECIFICATION:

## 1. PHYSICAL:

- 1-1. HOUSING:  
HIGH TEMPERATURE THERMOPLASTIC, UL 94V-0, COLOR: SEE PRODUCT NOMENCLATURE
- 1-2. CONTACT:  
COPPER ALLOY, NICKEL PLATING THICKNESS 90  $\mu$ " MIN. ON CONTACT AREA, 50  $\mu$ " MIN. ON OTHER AREA.  
TIN LEAD FREE PLATING, THICKNESS 100  $\mu$ " MIN. AT TAILS, GOLD PLATING AT CONTACT AREA. THICKNESS REFER TO PRODUCT NOMENCLATURE.
- 1-3. EJECTOR:  
THERMOPLASTIC, UL 94V-0, COLOR: SEE PRODUCT NOMENCLATURE
- 1-4. METAL BOARD LOCK: COPPER ALLOY.

## 2. ELECTRICAL CHARACTERISTICS:

- 2-1. CONTACT CURRENT RATING: 0.75 AMPS MAX.
- 2-2. INSULATION RESISTANCE: 1 MEGOHMS MIN. AT 500 VDC.
- 2-3. DIELECTRIC WITHSTANDING VOLTAGE: 500 VDC AT SEA LEVEL.
- 2-4. LOW LEVEL CONTACT RESISTANCE (DRY CIRCUIT):  
INITIAL: 10 MILLIOHMS MAX.  
FINAL: 20 MILLIOHMS MAX. AFTER FULL ENVIRONMENTAL TESTING.

## 3. MECHANICAL CHARACTERISTICS:

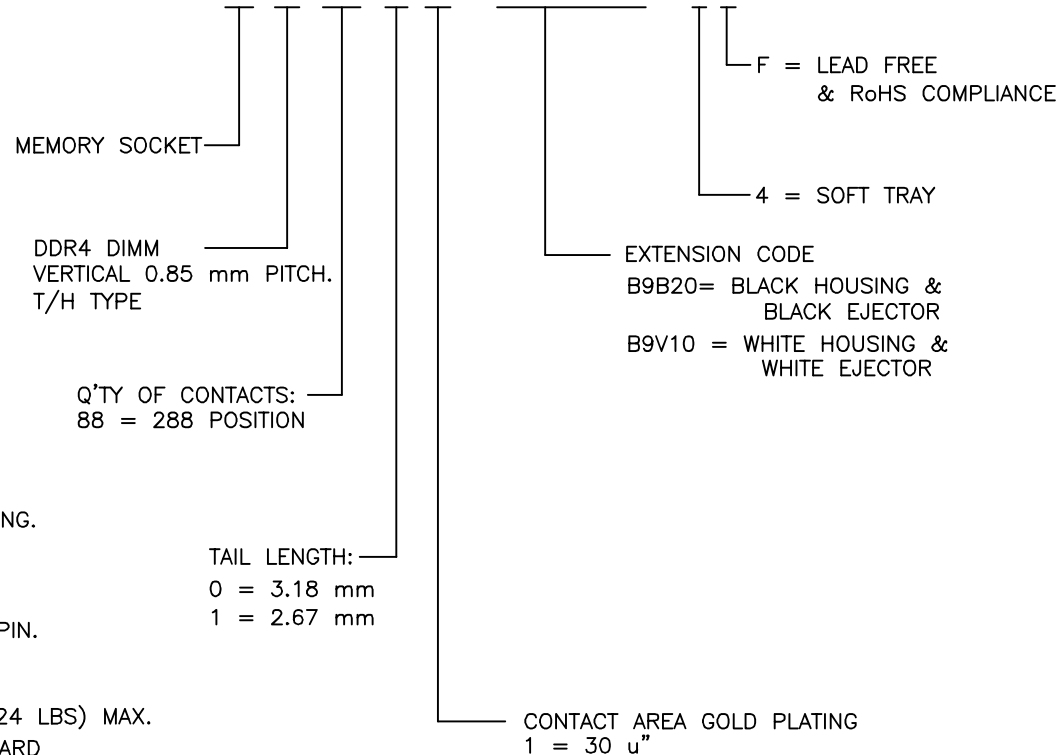
- 3-1. CONTACT RETENTION FORCE: 0.30 KG. (0.66 LBS) MIN. PER PIN.
- 3-2. DURABILITY: 25 CYCLES.
- 3-3. UNMATING FORCE (PER CONTACT PAIR): 14 g MIN.
- 3-4. INSERTION FORCE OF MODULE INTO CONNECTOR: 10.88 KG (24 LBS) MAX.
- 3-5. INSERTION FORCE OF CONNECTOR INTO PCB (WITH THREE BOARD LOCKS): 7.65 KG (17 LBS) MAX.


## 4. ENVIRONMENTAL CHARACTERISTICS:

- 4-1. SOLDERABILITY: PASSED PER EIA-364-52, CLASS 2, CATEGORY 3.
- 4-2. VIBRATION: PASSED PER EIA-364-28.
- 4-3. HUMIDITY: PASSED PER EIA-364-31.
- 4-4. THERMAL SHOCK: PASSED PER EIA-364-32.
- 4-5. OPERATING TEMPERATURE: 0°C TO 85°C.
- 4-6. MECHANICAL SHOCK: PASSED PER EIA-364-27.

# PRODUCT NOMENCLATURE:

PRODUCT NO. : A H0 8 8 \* \* - B 9 \* \* 0 - 4 \*



X.±	X±	UNITS	mm	NAME(NTENDED USE)	 <b>FIT</b> FOXCONN INTERCONNECT TECHNOLOGY LIMITED.
.X± 0.25	.X±	MATL	N/A	DDR 4, 288 PIN 0.85mm PITCH,T/H	
.XX± 0.15	.XX±	FINISH	N/A	PART NO.(NTENDED USE)	CLASS: <input type="checkbox"/> SECRET <input type="checkbox"/> CONFIDENTIAL <input type="checkbox"/> GENERAL
.XXX±	.XXX±	Q'TY	N/A	AH088**-B9**0-4F	TITLE: CUSTOMER DRAWING
<small>THESE DRAWINGS AND SPECIFICATIONS ARE THE PROPERTY OF FOXCONN INTERCONNECT TECHNOLOGY LIMITED AND SHALL NOT BE REPRODUCED, COPIED OR USED IN ANY MANNER WITHOUT THE PRIOR WRITTEN CONSENT OF FOXCONN INTERCONNECT TECHNOLOGY LIMITED.</small>				APPD:	DWG NO.:
				Venson hsu 2/4/21	317-0000-xxxx
				CHKD:	SCALE SHEET REV.
				Arthur niu 2/4/21	N/A 4/4 X2
				DR:	YU JUN 2/4/21