

Specifications:

规格:

Voltage rating:125V AC/DC

额定电压: 125V AC/DC

Current rating:2A AC/DC

额定电流: 2A AC/DC

Contact Resistance:≤20MΩ

接触电阻: ≤20MΩ

Insulation Resistance:≥500MΩ

绝缘电阻:≥500MΩ

Dielectric strength:800V AC/minutenai

耐压: 800V AC/minute

X1506W R S -XX-9T SW

① ② ③ ④ ⑤ ⑥ ⑦

⊙ Series No

⊙ Category:W-WAFER

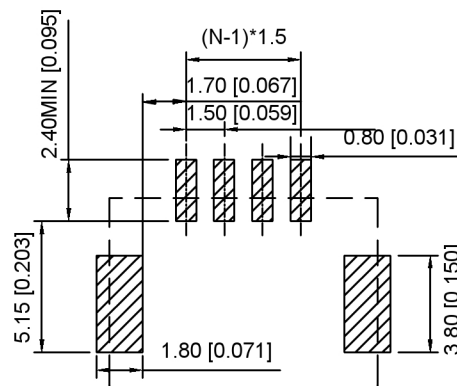
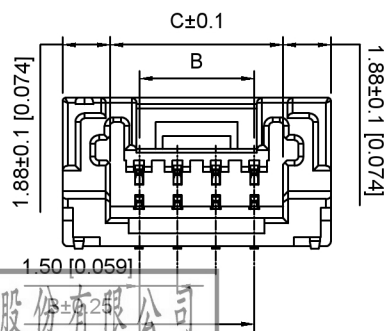
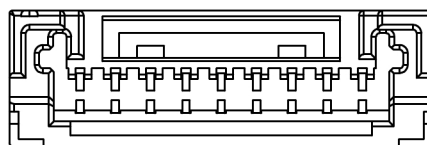
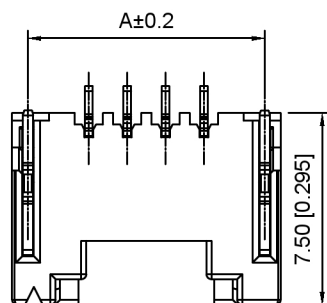
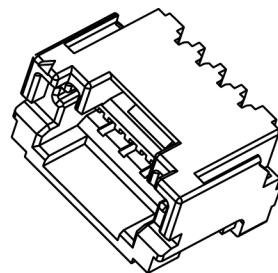
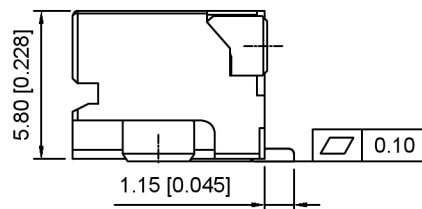
⊙ Welding Board Angle:R-90°

⊙ Welding Way:S-SMT

⊙ Row No-Pin No:XX-02-16PIN

⊙ Material:9T-PA9T 94V-0

⊙ Plating Category:SW-Matte Tin Plating(Tin:70u Min)



Recommended P.C.B Layout

General Tolerance±0.05

| Poles | Dimensions(mm) | | |
|-------|----------------|-------|-------|
| | A | B | C |
| 2 | 6.25 | 1.50 | 3.75 |
| 3 | 7.75 | 3.00 | 5.25 |
| 4 | 9.25 | 4.50 | 6.75 |
| 5 | 10.75 | 6.00 | 8.25 |
| 6 | 12.25 | 7.50 | 9.75 |
| 7 | 13.75 | 9.00 | 11.25 |
| 8 | 15.25 | 10.50 | 12.75 |
| 9 | 16.75 | 12.00 | 14.25 |
| 10 | 18.25 | 13.50 | 15.75 |
| 11 | 19.75 | 15.00 | 17.25 |
| 12 | 21.25 | 16.50 | 18.75 |
| 13 | 22.75 | 18.00 | 20.25 |
| 14 | 24.25 | 19.50 | 21.75 |
| 15 | 25.75 | 21.00 | 23.25 |
| 16 | 27.25 | 22.50 | 24.75 |

| | | | | |
|------------------|---------------|---------------|-------------|-----------------------|
| X1506WRS-XX-9TSW | PA9T UL 94V-0 | Brass | Tin -Pated | X1506H |
| PART NO | Material | Material(pin) | Finish(Pin) | Suitable XKB Terminal |

| | | |
|------|-------------|--|
| DSND | SCALE: N/A | MODEL TYPE: 1.50mm Crimp Style Connectors |
| DWN | VIEW: | PART NO.: X1506WRS-XX-9TSW |
| CHKD | UNIT: mm/in | DWG NO.: X-X1506WRS-XX-9TSW |
| APPD | SIZE: A4 | WEIGHT |
| | | SHEET |
| | | REVISION |
| | | 1/1 |
| | | A0 |



XKB INDUSTRIAL PRECISION CO., LIMITED

广东星坤科技股份有限公司

生教 日期

文件工程章

REVISIONS

| DATE | REVISED | APPROVED |
|------|---------|----------|
| | | |

UNSPECIFIED TOLERANCES