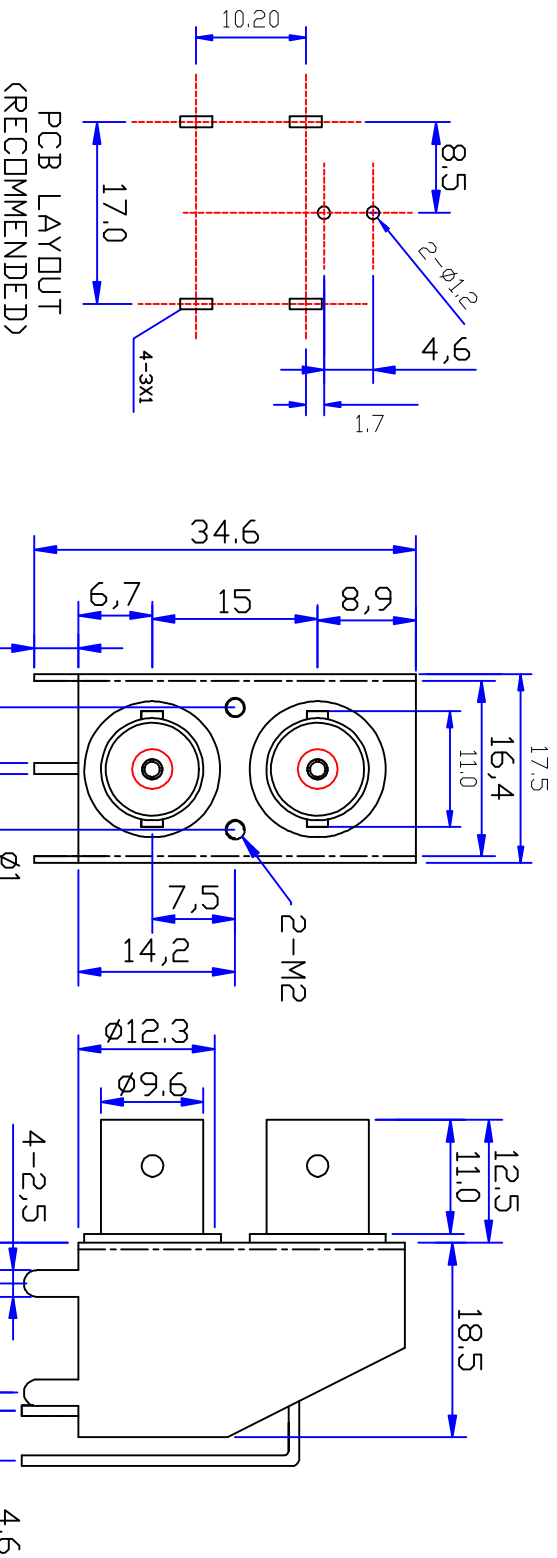




Product NO.		DOSIN-801-0286	
REV	DESCRIPTION	DWN	DATE
A	First Issue	Mr. Kang	2015/07/24
B			John Kline



### Specifications:

- IMPEDANCE: 75 Ohms
- Frequency range: 0~3GHZ
- VSWR: 1.3MAX
- Working voltage: 500V rms @ sea level
- Insulation resistance: 5000 Ohms min
- Temperature range: -40°C TO +110°C
- Relative temperature:  $\leq 95\%$  (40° C  $\pm 2^\circ$  C)

1	Body	Zinc	Nickel	2
2	Insulator	POM	White	2
3	Center contact	Brass	GOLD	2
4	BRACKET	Iron	Nickel	1
5				
6	Component Number	Material	Finish	QTY

NOTE:

DRAWN  
Zelin Zhang

CHECKED

APPROVALS  
Date Name

SCALE

Tolerance

0-6	$\pm 0.15$
6-30	$\pm 0.20$
30-120	$\pm 0.50$
Angular	$\pm 5^\circ$

View



UNIT

MM

SCALE

1:1

Name:

BNC 2X1 CONNECTOR

**DOSIN** *Dosin Industrial (HK) Co Ltd*  
 东莞市松山湖五金电子有限公司  
 Dosin Hardware Electronics Co, Ltd  
 E-mail: dosin2006@163.com  
 dosin2006@dosin-hk.com  
 Web: http://www.dosin.com  
 TEL: (0086) 769-81153906  
 FAX: (0086) 769-81878836

SIZE

Product NO.

REV

Date/Time

CAD FILE

SHEET: 1 OF 1

2015/07/24

DOSIN-801-0286

DOSIN-801-0286