

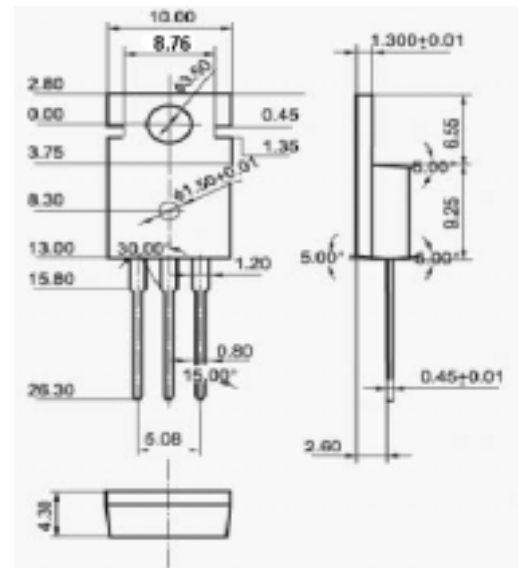
# LM317T



1 2 3

## ◆ Features

- With TO-220 package
- 1,Adjust 2,Output 3, Input
- Output voltage range :1.2V to 37V
- Output current in excess of 1.5A



## ◆ Absolute maximum rating

Symbol	Parameter	Value	Unit
$V_i - V_o$	Input-output voltage differential	40	V
$I_o$	Output current	1.5	A
$P_D$	Power dissipation	Internally limited	W
$T_{OP}$	Operating junction temperature	0~+125	
$T_{STG}$	Storage temperature	-65~+125	

## ◆ Electrical characteristics

( $V_i - V_o = 5V$ ,  $I_o = 500mA$ ,  $I_{MAX} = 1.5A$ ,  $P_{MAX} = 20W$ , unless otherwise specified)

Symbol	Parameter	Test conditions	Min	Typ.	Max	Unit
$V_{REF}$	Reference voltage	$V_i - V_o = 5V$ $I_o = 40mA$ to 500mA	1.2	1.25	1.3	V
$V_o$	Line regulation	$V_i - V_o = 3V$ to 40V $I_o = 500mA$			0.05	%/V
$V_o$	Load regulation	$V_i - V_o = 5V$ $I_o = 10mA$ to 1.5A			1.0	%
$I_{ADJ}$	Adjustment pin current	$V_i - V_o = 5V$ $I_o = 40mA$ to 500mA			100	$\mu A$
$I_{ADJ}$	Adjustment pin current	$V_i - V_o = 3V$ to 40V $I_o = 40mA$ to 500mA			5	$\mu A$
$I_{ADJ}$	Adjustment pin current	$V_i - V_o = 5V$ $I_o = 10mA$ to 1.5A			5	$\mu A$
$S_{VR}$	Ripple rejection	$V_o = 10V$ ; $I_o = 500mA$ ; $V_i - V_o = 5V$ $f = 100Hz$ , $C_{ADJ} = 10 \mu F$	66			dB