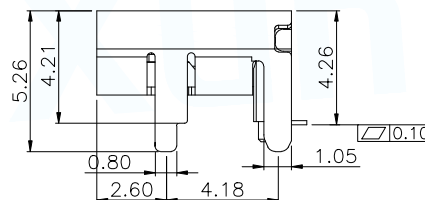
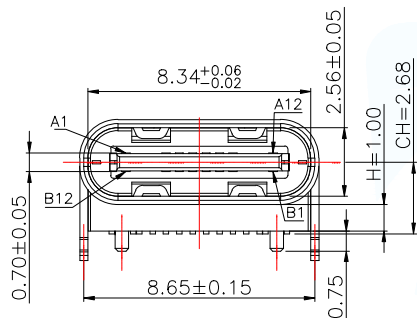


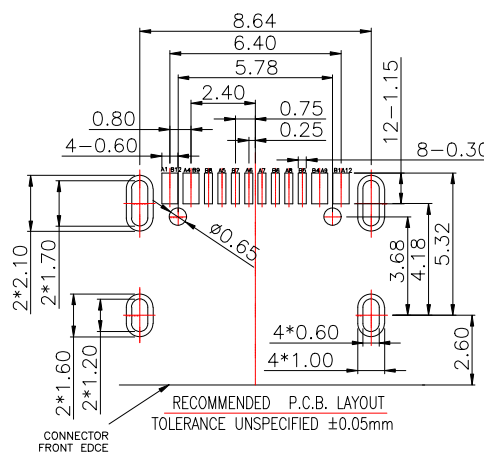
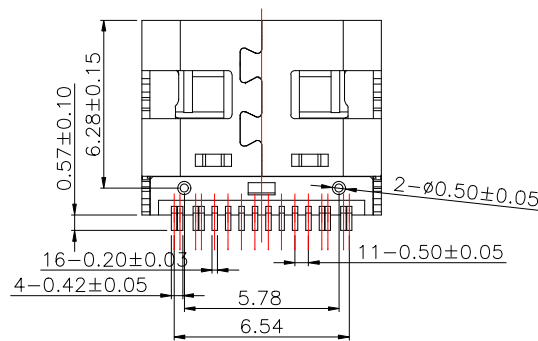
NOTES:

SPECIFICATION:

1. CURRENT RATING: 5A MAX
2. VOLTAGE: 100 VAC
3. TEMPERATURE RANGE: -30 °C ~ 85 °C
4. CONTACT RESISTANCE: 40 MILLIONHM MAX
5. INSULATION RESISTANCE: 100 MEGOHMS MIN.
6. LNSERTION FORCE : 5N~20N
7. UNMATING FORCE: 8N~20N
8. DURABILITY: 10,000 CYCLES



A1	GND	B12	GND
A4	VBUS	B9	VBUS
A5	CC1	B8	SBU2
A6	DP1	B7	DN2
A7	DN1	B6	DP2
A8	SBU1	B5	CC2
A9	VBUS	B4	VBUS
A12	GND	B1	GND
PIN	SIGNAL NAME	PIN	SIGNAL NAME



6	SHELL	STAINLESS STEEL SUS201	Ni/SN Plated	1PCS
5	SHIELDING PLATE	STAINLESS STEEL SUS304	---	1PCS
4	MD	HIGH TEMPERATURE PLASTIC	SEE TABLE	1PCS
3	CONTACT	COPPER ALLOY C7025TM03	SEE TABLE	1SET
2	CONTACT	COPPER ALLOY C7025TM03	SEE TABLE	1SET
1	HOUSING	HIGH TEMPERATURE PLASTIC	SEE TABLE	1PCS
NO.	DESCRIPTION	MATERIAL	REMARKS	QTY

MANUFACTURE DWG



UNLESS OTHERWISE SPECIFIED TOLERANCES



TITLE:TYPE C母座16PIN板上SMT垫高1.0型 CH=2.68

DECIMALS: .X:±0.30 .XX:±0.20 .XXX:±0.10

ANGLES: .X':±3° .XX':±2'

PAR
DWN
CHKD
APVD
SCALE1:1
UNIT:MM
SIZE:A4
SHEET:1F1
REV:A