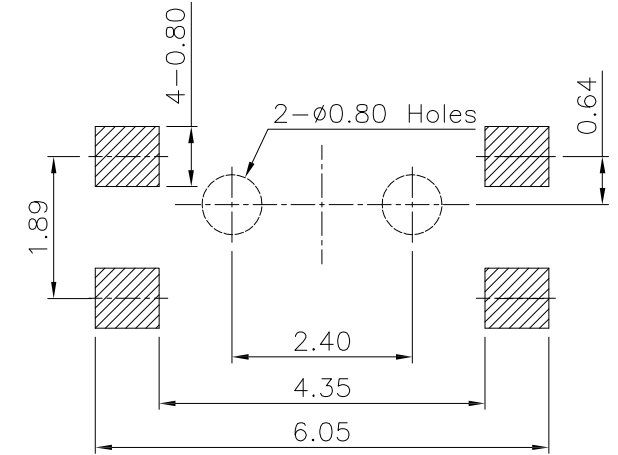
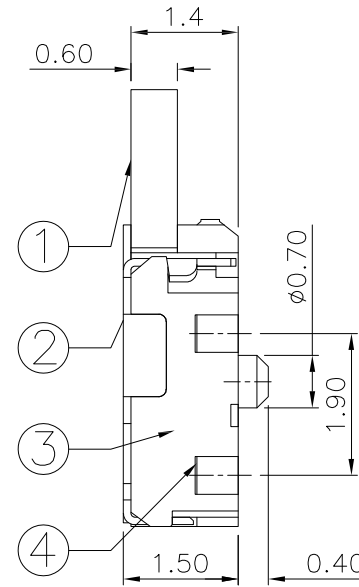
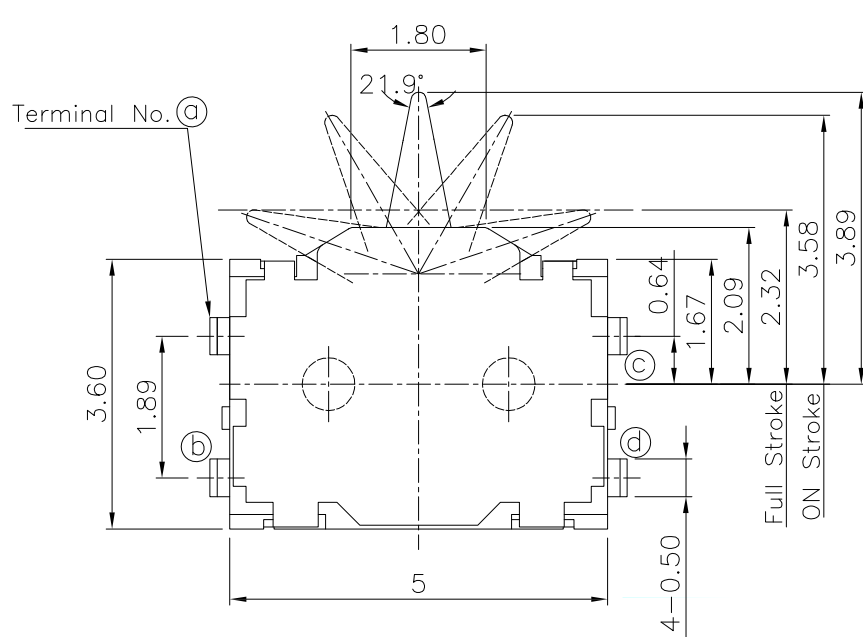
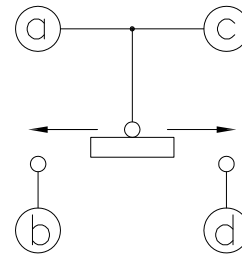
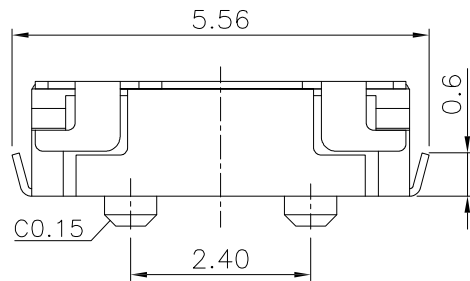


ROHS



PCB Layout(Pattern side)



Circuit Diagram

NOTE:
 Rating: DC 12V 50mA
 Operating Force: 30±10gf
 Lifetime: 100,000 Cycles

PART NO.	
K5-1620UA-01	
K5-1620UN-01	

ITEM	PART NAME	TER'NO.	QTY.	MATERIAL	FINISHING	REMARK
⑤	Contact Spring	—	1	Phosphor Bronze	Ag Plated	—
④	Terminal	—	4	Phosphor Bronze	Ag Plated	—
③	Base	—	1	PA46	Black	—
②	Cover	—	1	SUS	Natural	—
①	Slider	—	1	PA46	Black	—



				公差 TOLERANCES				.X±0.5 .XX±0.3		角度 ANGLE ±1°		单位 DIMENSION UNIT mm.	
版本 VERSION		A0		比例尺 SCALE		1:1		日期 DATE		2020.06.24		品名 TITLE	
图号 DRAWING NO		K5-1620U-A0		核准 APPROVED BY		核对 CHECKED BY		绘图 DRAWN BY		孙成		K5-1620U	
变更说明 CHANGE DESCRIPTION		日期 DATE		ECN NO.		APPROVED BY		CHECKED BY		DRAWN BY		K5-1620U	