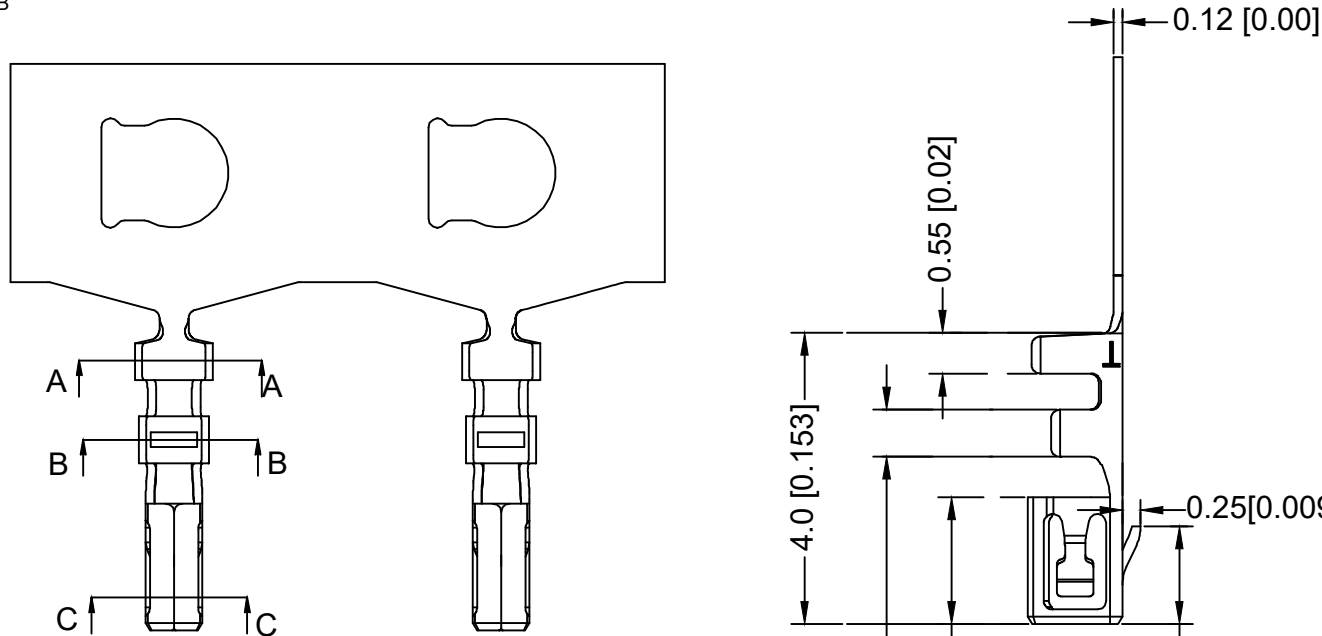


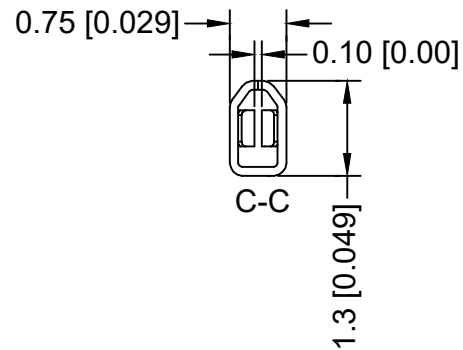
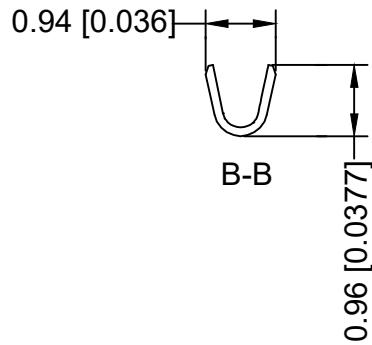
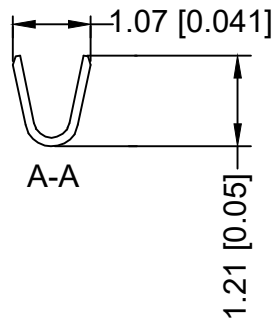
XKB



Specifications:
 规格:
 Voltage rating:50V AC/DC
 额定电压: 50V AC/DC
 Current rating:1A AC/DC
 额定电流: 1A AC/DC
 Withstanding voltage:250V AC/minute
 耐受电压: 250V AC/分钟
 Temperature range:-25℃-+85℃
 温度范围: -25℃-+85℃
 Insulation resistance:≥100MΩ MIN
 绝缘电阻: ≥100MΩ_{XKB}
 Contact resistance:20mΩ MAX
 接触电阻: ≤20mΩ
 Applicable wire Range:AWG#28-#32
 使用线范围: AWG #28-#32

X1004 T-P XX-A
 ① ② ③ ④ ⑤

- 1.Series No.
- 2.Category:T-Terminal
- 3.Material:P-Phosphor bronze
- 4.Plating Style;
 V01-All Gold Flash
 SN-Bright tin Plating 80u";
 120u" Over Nickel
- 5.TYPE:A



X1004T-PXX-A	Phosephor Bronze	X1004T-L	X1004H-L
PART NO	Material	Suitable SWB terminal	SuitableXKB Housing

				XKB	DSND		DATE		SCALE: N/A	MODEL TYPE:
ΔX				XKB	DWN		DATE		VIEW:	PART NO.:
ΔX					CHKD		DATE		UNIT: mm/in	X1004T-PXX-A
ΔX					APPD		DATE		SIZE: A4	DWG NO.:
MARK	DESCRIPTION	DATE	REVISED	APPROVED	UNSPECIFIED TOLERANCES					X-X1004T-PXX-A
REVISIONS										WEIGHT
www.helloxkb.com										1.0g
XKB INDUSTRIAL PRECISION CO.,LIMITED										SHEET
										1/1
										REVISION
										A0