

PCBLAYOUT

Specifications:

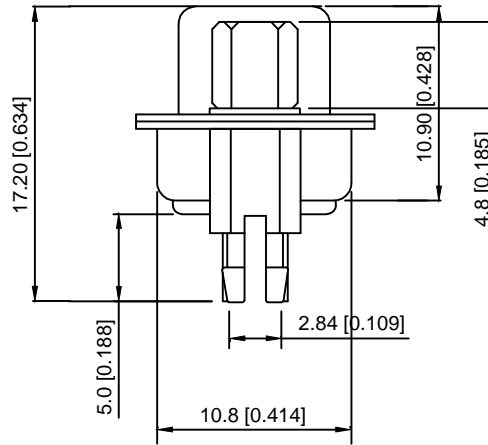
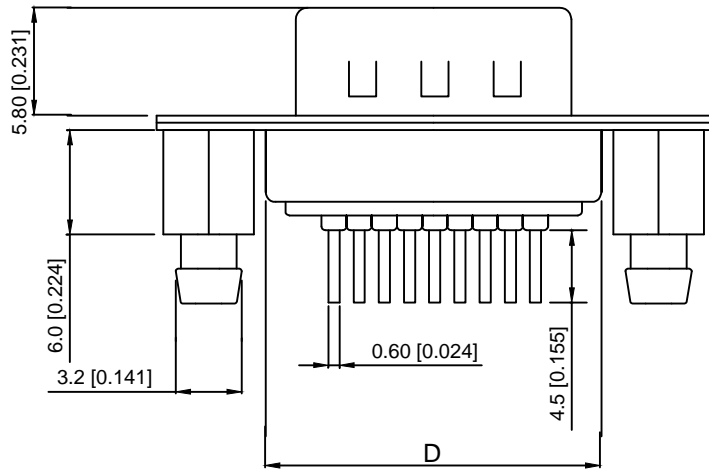
规格:
 Current rating:3A AC/DC
 额定电流: 3A AC/DC
 Withstanding voltage:1000 AC/minute
 耐受电压: ≥1000V AC/分钟
 Temperature range:-25 °C~+105 °C
 温度范围: -55 °C~+105 °C
 Insulation resistance:500MΩMIN
 绝缘电阻: ≥500MΩ
 Contact resistance:25mΩMAN
 接触电阻: ≤25mΩ

Material:

材料:
 Contacts:Brass Gold Plated
 接触: 黄铜镀金
 Insulator:PBT+30 %
 绝缘体: PBT+30 %
 Shell(Frond)Steel NI Plated
 外壳: 镀钢
 Shell (Fead):Steel TIN Plated
 外壳: 钢镀锡

MECHANIAL CHATACTERICS:

插拔力:
 Contact Insertion force:300gfMAX
 插入力:最大300gf
 Contact Separation Force:25gf MIN
 拔出力: 最小25gf



9-37P公(插板式)后铆鱼叉螺母+前锁螺丝

X02 XX W X X X 5

① ② ③ ④ ⑤ ⑥ ⑦

- ① Series NO.
- ② Row No.Pin No.XX-09;15;25;37
- ③ Welding Board Angle :W-male
- ④ T: Tradtional C: Car-pin
- ⑤ Planting Categoty: 1:1U 2:2U 3:3U 4:5U 5:15U 6:30U 7:AuSN
- ⑥ B:BLACK W:White BL:Blue Y:Yellow G:Green R:Red
- ⑦ 5:Front lock screw after riveting

NO.POS	A±0.38	B±0.13	C±0.20	D±0.38
9PIN	30.80	24.99	16.92	19.28
15PIN	39.20	33.32	25.25	27.65
25PIN	53.10	47.04	38.96	41.20
37PIN	69.40	63.50	55.42	57.44

DSND	DATE	SCALE: N/A	MODEL TYPE:
DWN	DATE	VIEW:	PART NO.:
CHKD	DATE	UNIT: mm/in	DWG NO.:
APPD	DATE	SIZE: A4	X02XXWXXX5
KXB INDUSTRIAL PRECISION CO.,LIMITED			WEIGHT
			1.0g
			SHEET
			1/1
			REVISION
			A0

Δ X					units: mm
Δ X					tolerance:
Δ X					X.X ±0.2mm
MARK	DESCRIPTION	DATE	REVISED	APPROVED	X.XXX ±0.1mm
	REVISIONS				X.XXX ±0.05mm
					UNSPECIFIED TOLERANCES
	www.xk-dg.cn	www.helloxkb.com	www.helloxkb.cn		