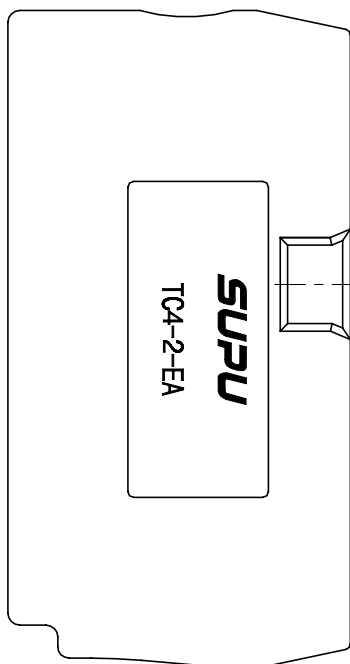
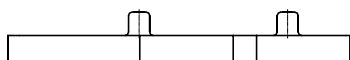
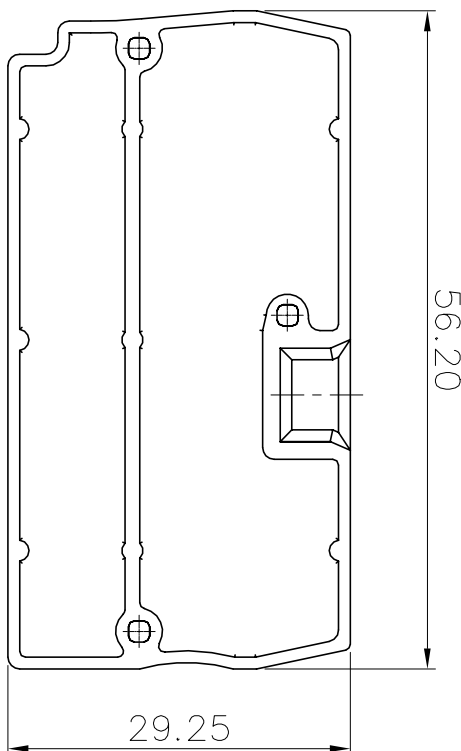
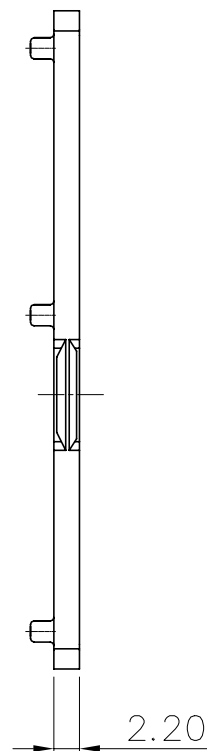


Transmittal, reproduction, dissemination and/or editing of this document as well as utilization of its contents and communication thereof to others without express authorization are prohibited.

未经允许禁止传输、复制、编辑该文档，以及利用其内容进行交流

REVISION RECORD				
REV	ECN	DESCRIPTION	DRFT	DATE
△	DCN0006226	图纸更新	董方正	2020/1/07



NOTES:
Material: Insulator PA66 UL94 V-0

General information:
1. Dimension shall be interpreted per ASME Y14.5-2009
2. Operating temperature: -40°C~+105°C
3. RoHS Compliance
4. Undimensioned Tolerances:

Pitch	Range		In	Nominal Dimension		Range	Tolerance
	mm	In		mm	In		
6	Over	10	TO	Over	60	Over	0.1/10
	TO	10	TO	TO	100	Over	
	TO	24	TO	TO	150	Over	
10	Over	30	TO	Over	60	Over	±2°
	TO	30	TO	TO	100	Over	
	TO	60	TO	TO	150	Over	
10	Over	30	TO	Over	60	Over	±2°
	TO	30	TO	TO	100	Over	
	TO	60	TO	TO	150	Over	

HOW TO ORDER:

TC4-2-XX-EA
Series No. _____
Color: GY: Grey, BU: Blue, OG: Orange

订货号 Order No.	TC4-2-XX-EA	名称 Name	TC系列密式弹簧 4mm一进一出 接线端子面板	未注公差 Tolerance	表面 Surface
项目 Item	签字 Signature	图号 Drawing No.	PRM000992	阶段标记 Progress	版本 Revision
设计 Design	dfz	材料 Material	Notes	M	1
审核 Check	cw	物料号 Item No.	411514201	重量 Weight	/
工艺 Process	-	物料号 Item No.	411514202	比例 Scale	1:1
标准化 Unit	-	物料号 Item No.	411514203		
批准 Approve	lw1	日期 Date	01/06/20"	NINGBO SUPU ELECTRONICS CO.,LTD.	

1 2 3 4 5 6 7 8